



115.111.129.98KWSE..-HLFührungswagen

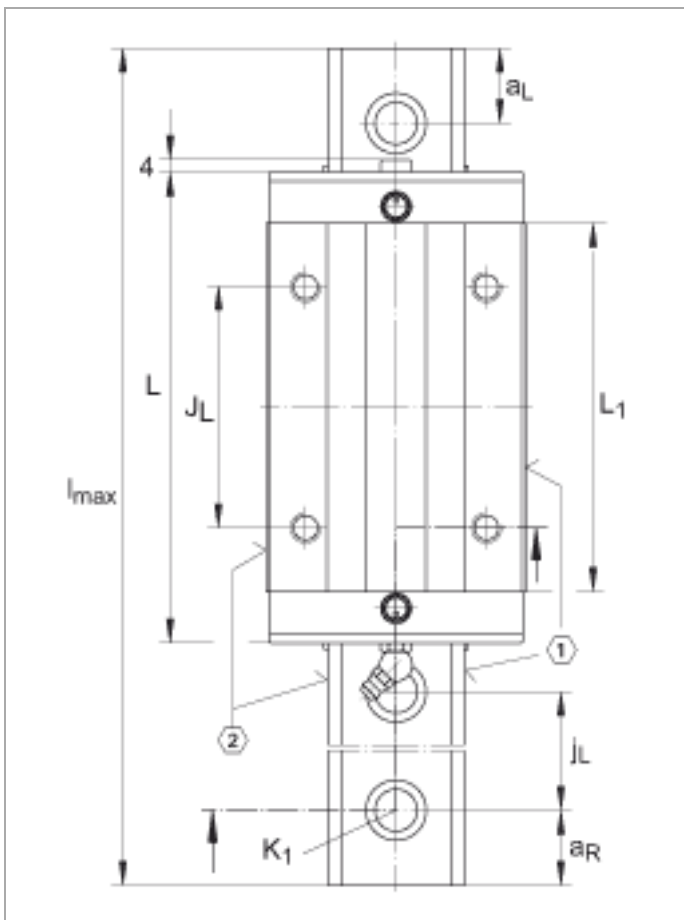
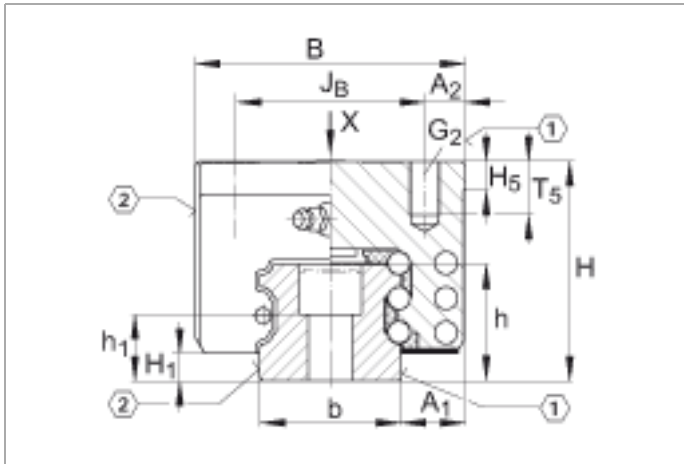
## Carriages KWSE25-HL (Series KWSE..-HL)

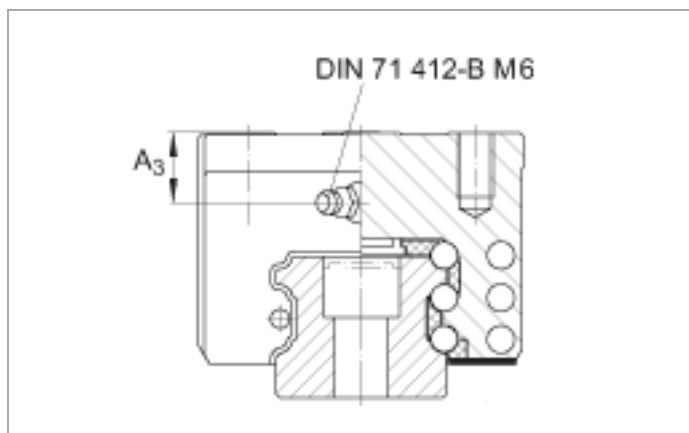
high, narrow, long carriage for six-row linear recirculating  
ball bearing and guideway assembly

The datasheet is only an overview of dimensions and basic load ratings of the selected product. Please always observe all the guidelines in these overview pages. Further information is given on many products under the menu item "Description". You can also order comprehensive information via the Catalogue ordering system ([https://www.schaeffler.de/content.schaeffler.de/en/news\\_media/index.jsp](https://www.schaeffler.de/content.schaeffler.de/en/news_media/index.jsp)) or by telephone on +49 (91 32) 82 - 28 97.

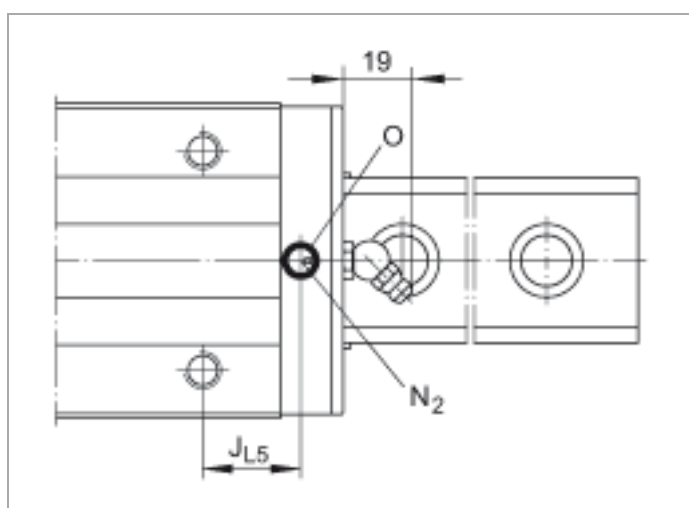
|                       |  |
|-----------------------|--|
| H                     | 40 mm  |
| B                     | 48 mm  |
| L                     | 104,3 mm Minimum covered length for sealing the lubrication connections N2   |
| 1)                    | Locating face  |
| 2)                    | Marking  |
| A <sub>1</sub>        | 12,5 mm  |
| A <sub>2</sub>        | 6,5 mm   |
| A <sub>3</sub>        | 10 mm  |
| a <sub>L</sub><br>max | 53 mm a L and a R are dependent on the length l max of the guideway  |
| a <sub>L</sub><br>min | 20 mm a L and a R are dependent on the length l max of the guideway  |
| a <sub>R</sub><br>max | 53 mm a L and a R are dependent on the length l max of the guideway  |
| a <sub>R</sub><br>min | 20 mm a L and a R are dependent on the length l max of the guideway  |
| b                     | 23 mm Tolerance: -0,005/-0,03  |
| G <sub>2</sub>        | M6 For screws to DIN ISO 4762-12.9<br>Max. tightening torque [MA] in Nm:<br>M5 = 10<br>M6 = 17<br>M8 = 41<br>M10 = 83<br>M12 = 140 |
| h                     | 21,7 mm  |
| H <sub>1</sub>        | 5,2 mm   |

|                  |           |  |
|------------------|-----------|--|
| h <sub>1</sub>   | 11,7 mm   |  |
| H <sub>5</sub>   | 5 mm      |  |
| J <sub>B</sub>   | 35 mm     |  |
| J <sub>L</sub>   | 50 mm     |  |
| j <sub>L</sub>   | 60 mm     |  |
| J <sub>L5</sub>  | 21,45 mm  | Position of lubrication hole in adjacent construction.   |
| K <sub>1</sub>   | M6        | For screws to DIN ISO 4762-12.9<br>Max. tightening torque [MA] in Nm:<br>M5 = 10<br>M6 = 17<br>M8 = 41<br>M10 = 83<br>M12 = 140<br>M14 = 220<br>M16 = 340                            |
| L <sub>1</sub>   | 82,9 mm   |  |
| l <sub>max</sub> | 1980 mm   | Maximum length of single-piece guideways; longer guideways are supplied in several sections and are marked accordingly.<br>Maximum single-piece guideway length of 6 m by agreement. |
| N <sub>2</sub>   | 3 mm      | Maximum diameter of lubrication hole in adjacent construction  |
| O                | 3x1,5 mm  | DIN 3771   |
| T <sub>5</sub>   | 10 mm     |  |
| mw               | 0,7 kg    | Mass of carriage   |
| ms               | 3,15 kg/m | Mass of guideway   |
| C <sub>I</sub>   | 35300 N   | Load direction I: compressive load   |
| C <sub>O</sub>   | 93700 N   | Load direction I: compressive load   |
| I                |           |  |
| C <sub>II</sub>  | 28900 N   | Load direction II: tensile load  |
| C <sub>O</sub>   | 59800 N   | Load direction II: tensile load  |
| II               |           |  |
| C <sub>III</sub> | 24700 N   | Load direction III: lateral load   |
| C <sub>O</sub>   | 64000 N   | Load direction III: lateral load   |
| III              |           |  |
| M <sub>0x</sub>  | 736 Nm    | Static moment rating about X axis  |
| M <sub>0y</sub>  | 903 Nm    | Static moment rating about Y axis  |
| M <sub>0z</sub>  | 823 Nm    | Static moment rating about Z axis  |

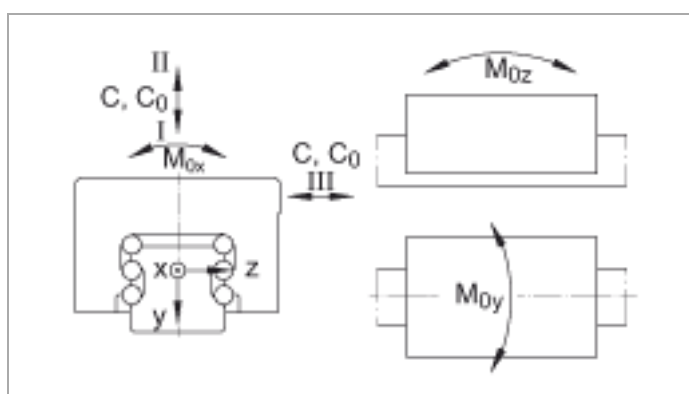




Lubrication connector on end face



Lubrication connector in top face



Load directions