



ENGLISH

Product Datasheet

Mighty Extending Breaker Bar



Specifications:

Great tool for removing tough wheel nuts in passenger cars and trucks.

Leverage design creates a multiplication ratio of 5:1.

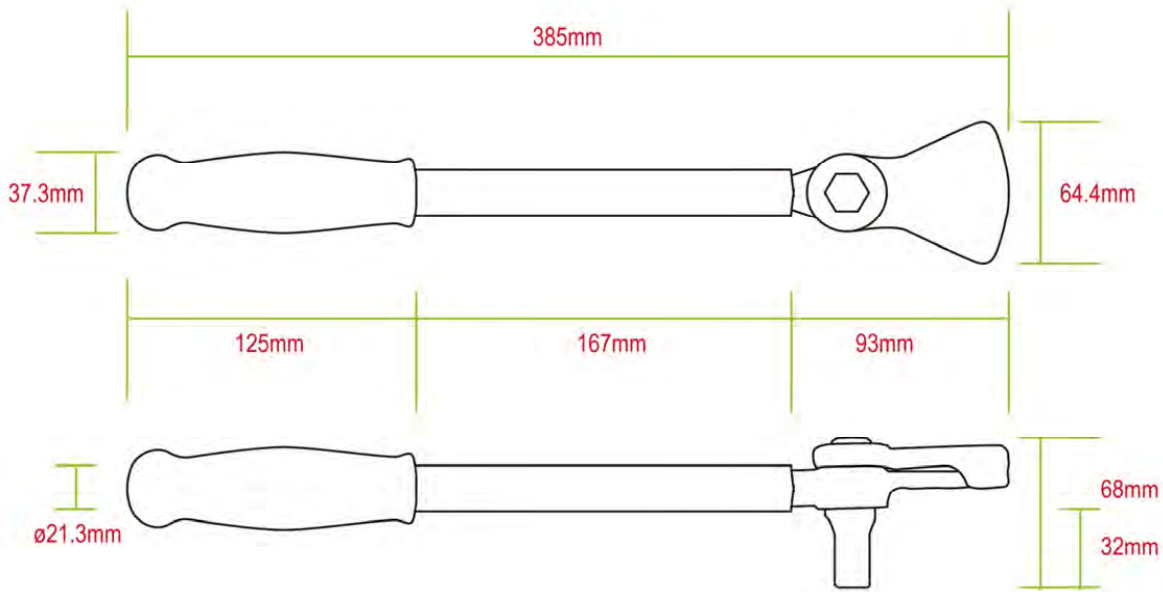
Simple construction make it efficient and reliable.

Energy, effort and time saver.

USA and Germany patented.

1/2" Dr.

Dimensions:



Operating Instructions:

