

Cone Bezel or Prominent Lens with AC Voltage

[Key Characteristics

Functional

- 8mm mounting
- 80° viewing angle

Resilient

- IP66 sealed
- -40 to 85°C operating and storage temp

Adaptable

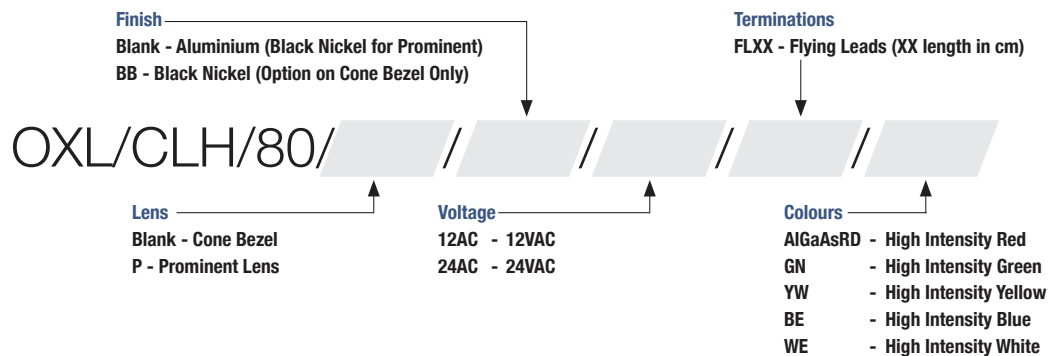
- Full colour range
- Voltage and current options
- Customer specials on request



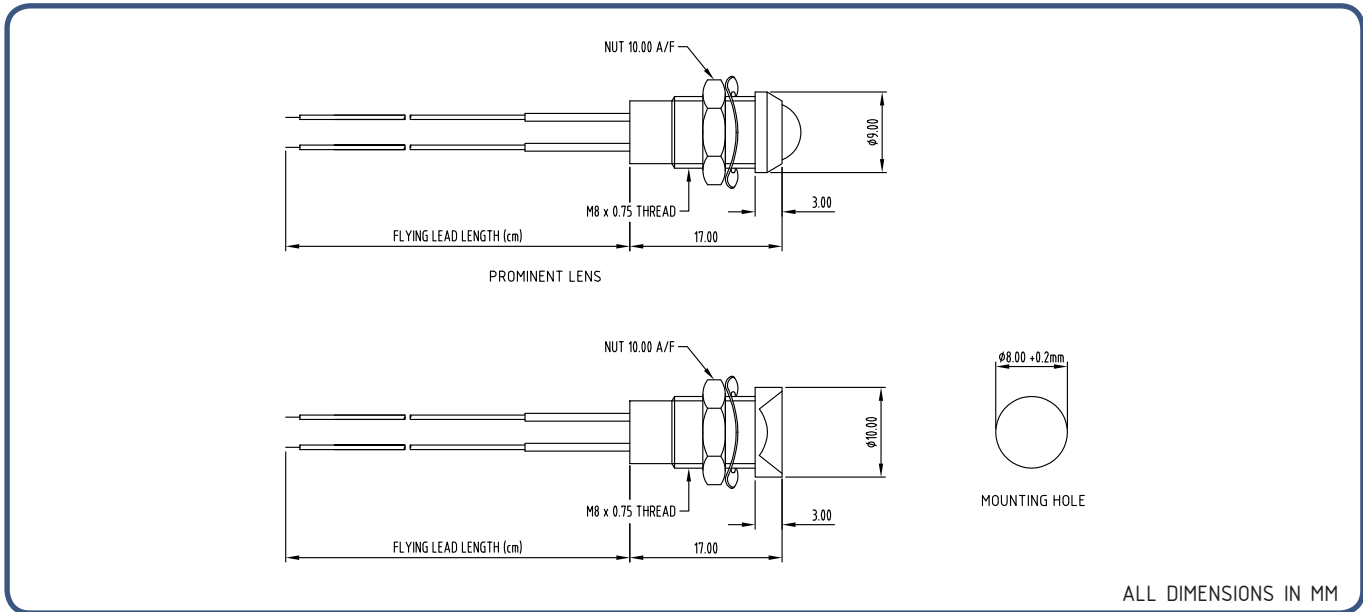
[Specifications

COLOURS									
Luminous Intensity	mcd	White	Red	Yellow	Green	Blue	Voltage		Current (mA)
							Forward	Reverse	
High Intensity	370	✓	x	x	x	x	12,24	12,24	7.5
	450	x	✓	x	x	x	12,24	12,24	7.5
	380	x	x	✓	x	x	12,24	12,24	7.5
	470	x	x	x	✓	x	12,24	12,24	7.5
	450	x	x	x	x	✓	12,24	12,24	7.5

[Ordering Information



Example: OXL/CLH/80/12AC/FL30/AL – Cone Bezel, Aluminium Finish, 12VAC, Flying Leads 30cm, High Intensity Red
 Example: OXL/CLH/80/P/24AC/FL30/GN – Prominent Lens, Black Nickel Finish, 24VAC, Flying Leads 30cm, High Intensity Green



Technical Information

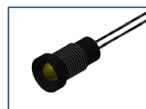
Terminations	Flying Leads Insulation Red and Black
Body	Aluminium on Cone Bezel, Prominent Black Nickel
Lens	LED Dome
Nut	Aluminium Alloy
Washer	BeCu. Tin Plated
Chassis Thickness	1 to 5mm
Mounting Hole	8mm + 0.2
Recommended Mounting Torque	1Nm (0.74lbft)
Mean Time Before Failure	90,000 Hours

Termination Options



Flying Leads

Lens Options



Cone Bezel



Prominent

Distributed by

