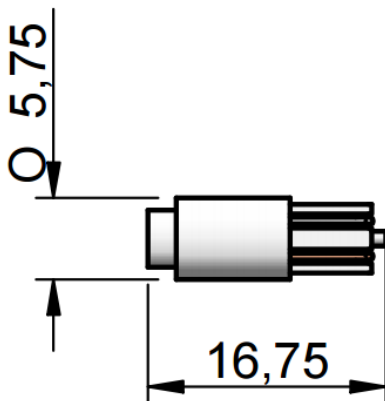


# Datasheet

## LED Indicator Lamp

RS ITEM NO 210-800



|                  |                 |                          |                      |           |               |
|------------------|-----------------|--------------------------|----------------------|-----------|---------------|
| LED/Multiled     | <i>LED</i>      | Optimum voltage (V)      | <i>28vdc</i>         | Intensity | <i>900mcd</i> |
| Mounting Size    | <i>T5</i>       | Rectifier                |                      |           |               |
| Mounting Finish  |                 | AC current               |                      |           |               |
| Protection       |                 | DC current               | <i>15mA</i>          |           |               |
| Mount Holder     | <i>T5 Wedge</i> | Voltage Tolerance(%)     | <i>10%</i>           |           |               |
| Chip Qty         | <i>1</i>        | Optimum temperature (°C) | <i>-30°C...+60°C</i> |           |               |
| Indicator colour | <i>White</i>    | Storage temperature (°C) | <i>-30°C...+60°C</i> |           |               |
| Wavelength (nm)  |                 | Contact Tab x 2          | <i>T5 Wedge Base</i> |           |               |



*Dimension in mm (typical), not to scale.  
We reserve the right to make changes without further notice to this product to improve reliability, function or design.*