



22MM PLASTIC ROUND COMPLETE UNIT
COMBINATION: INDICATOR LIGHT WITH SMOOTH
LENSE ILLUMINATED WITH INTEGRATED LED 230V AC
SCREW TERMINAL WITH HOLDER BLUE

Actuator:

Design of the operating mechanism

indicator light

Front ring:

Product component / front ring

No

Enclosure:

Shape / of the housing front

round

material / of the housing

plastic

General technical details:

Number of control points

0

Type of voltage

- of the operating voltage

AC

- of the supply voltage

- of the fluorescent material

AC

Operating voltage / rated value

- minimum

V 190

- maximum

V 265

Supply voltage / 1

- of the fluorescent material

<ul style="list-style-type: none"> • at 60 Hz / for AC / rated value • at 50 Hz / for AC / rated value 	V	230
	V	230
Design of the electrical connection		screw-type terminals
Number of switching positions		0
Product component / fluorescent materials		Yes
Product extension / optional / fluorescent materials		Yes
Resistance against shock <ul style="list-style-type: none"> • for devices without incandescent lamp / according to IEC 60068-2-27 		<= 50g
Resistance against vibration / according to IEC 60068-2-6		20 ... 200 Hz: 5g
Operating cycles / maximum	1/h	1,000
Item designation <ul style="list-style-type: none"> • according to DIN EN 61346-2 • according to DIN 40719 extendable after IEC 204-2 / according to IEC 750 		P H

Auxiliary circuit:

Number of NC contacts / for auxiliary contacts		0
Number of NO contacts / for auxiliary contacts		0
Number of change-over switches / for auxiliary contacts		0

Installation/mounting/dimensions:

Execution of the mounting		integrated LED
Type of mounting		front mounting
Shape / of the installation hole		round
Installation width	mm	28
Mounting diameter	mm	22
Mounting height	mm	11
Tightening torque / of the screws in the bracket / maximum	N·m	1

Ambient conditions:

Ambient temperature <ul style="list-style-type: none"> • during operating • during storage 	°C	-25 ... 70
	°C	-40 ... 80
Protection class IP		IP66

Certificates/approvals:

General Product Approval



CQC



CSA

[ROSTEST](#)



UL

Test Certificates

[Manufacturer](#)

Shipping Approval



BUREAU
VERITAS



DNV



PRS

other

[Manufacturer](#)

Further information:

Information- and Downloadcenter (Catalogs, Brochures,...)

<http://www.siemens.com/industrial-controls/catalogs>

Industry Mall (Online ordering system)

<http://www.siemens.com/industrial-controls/mall>

CAX-Online-Generator

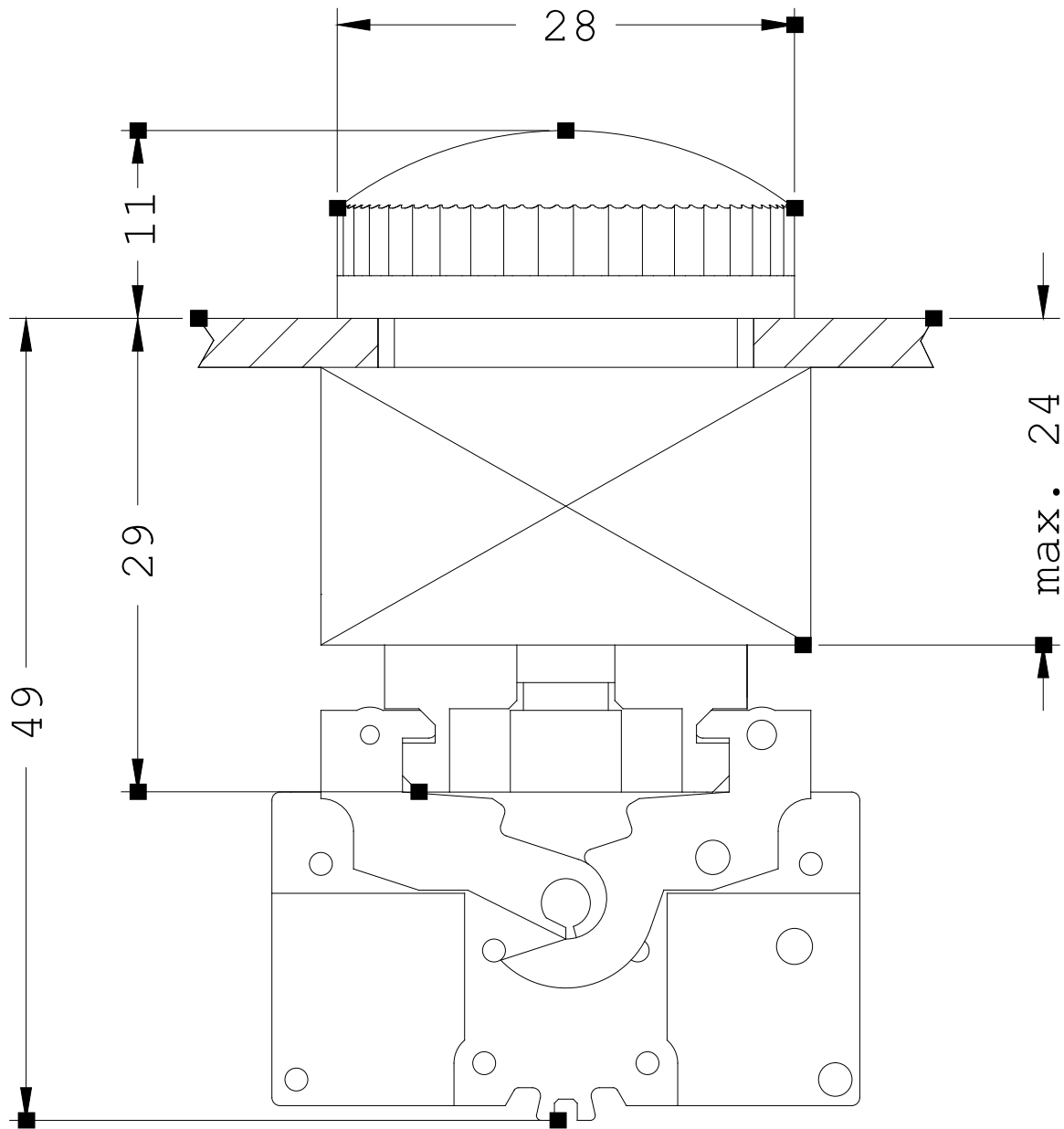
<http://www.siemens.com/cax>

Service&Support (Manuals, Certificates, Characteristics, FAQs,...)

<http://support.automation.siemens.com/WW/view/en/3SB3252-6AA50/all>

Image database (product images, 2D dimension drawings, 3D models, device circuit diagrams, ...)

http://www.automation.siemens.com/bilddb/cax_en.aspx?mlfb=3SB3252-6AA50



last change:

Oct 31, 2011