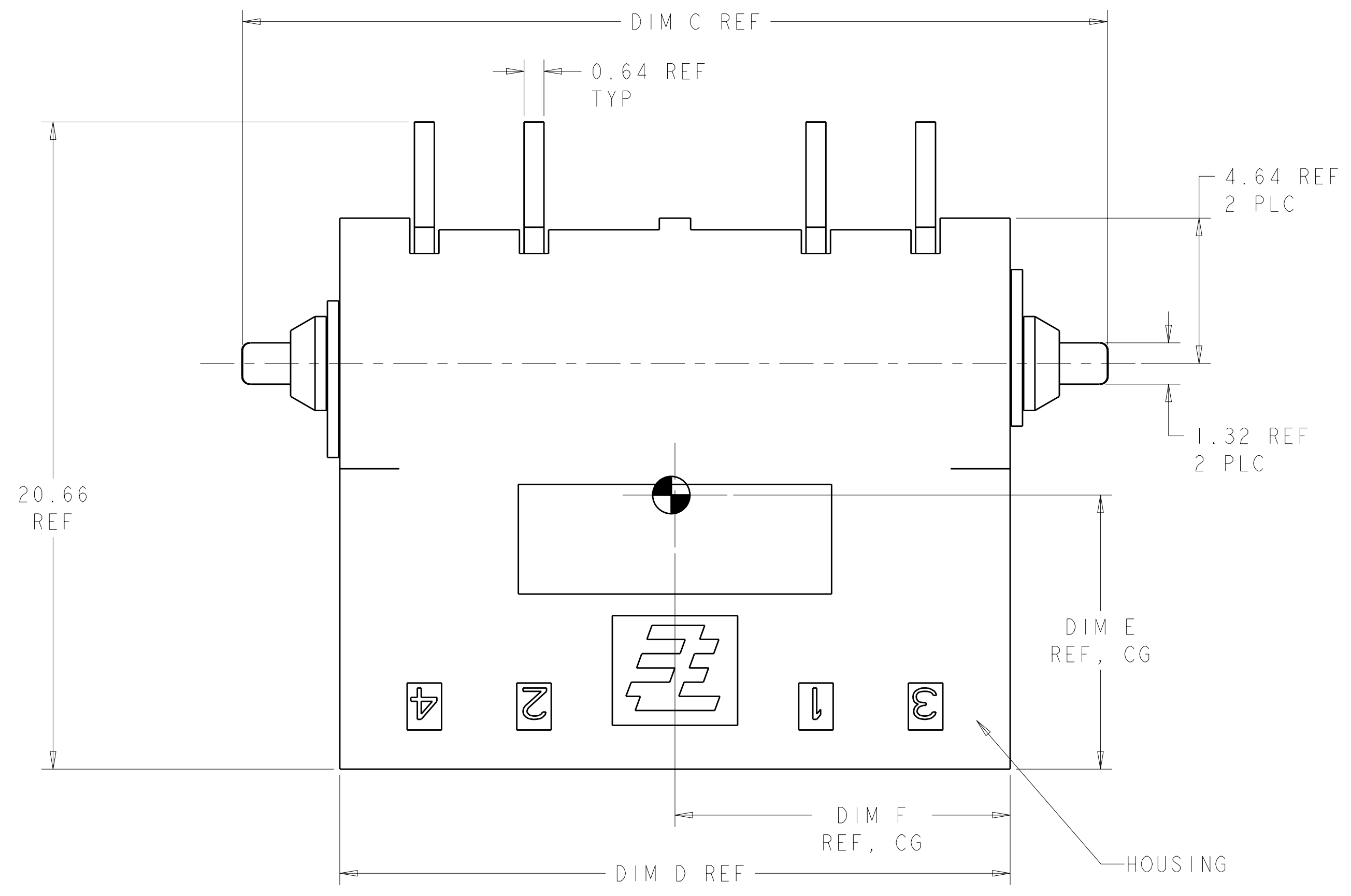
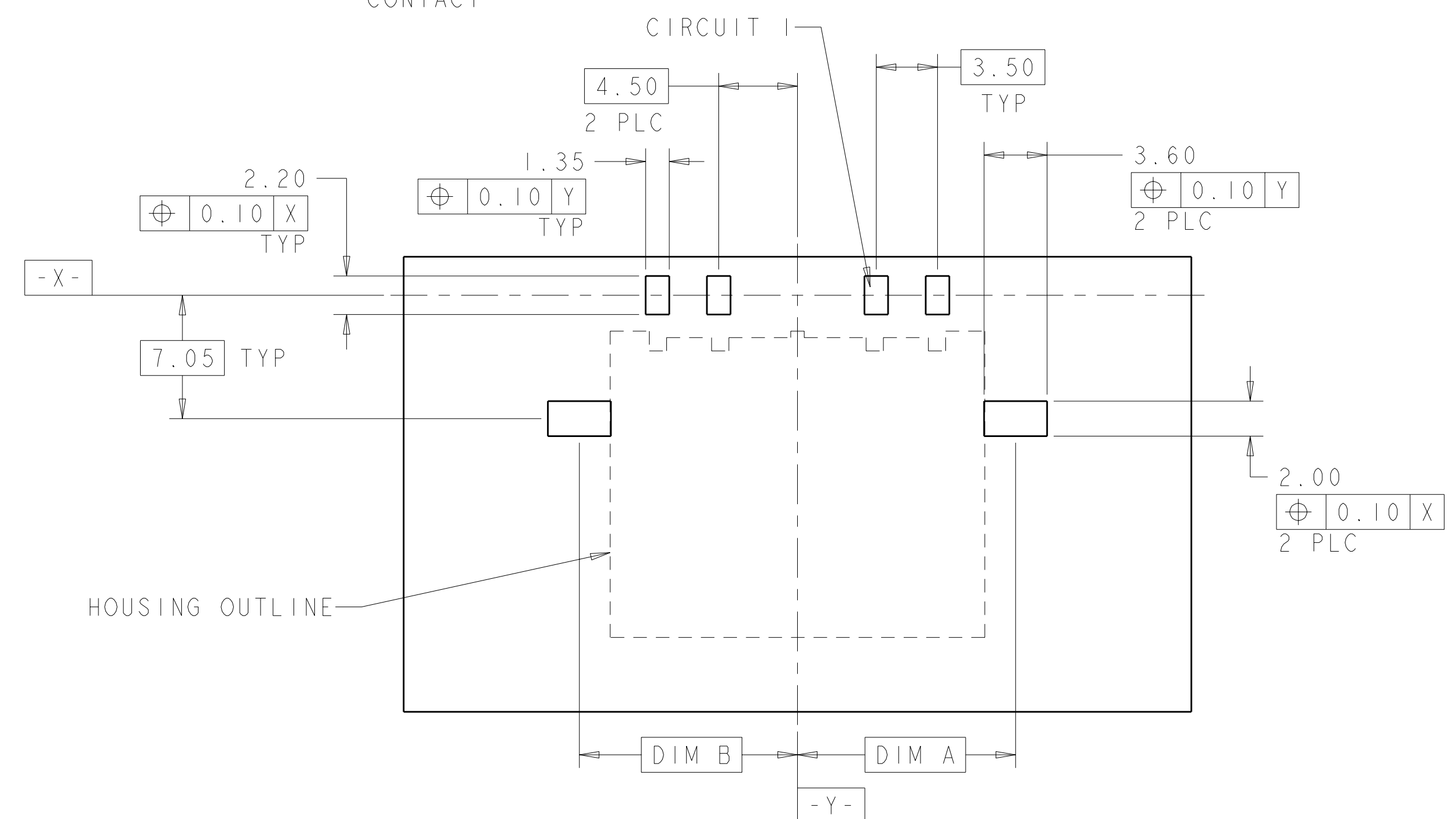
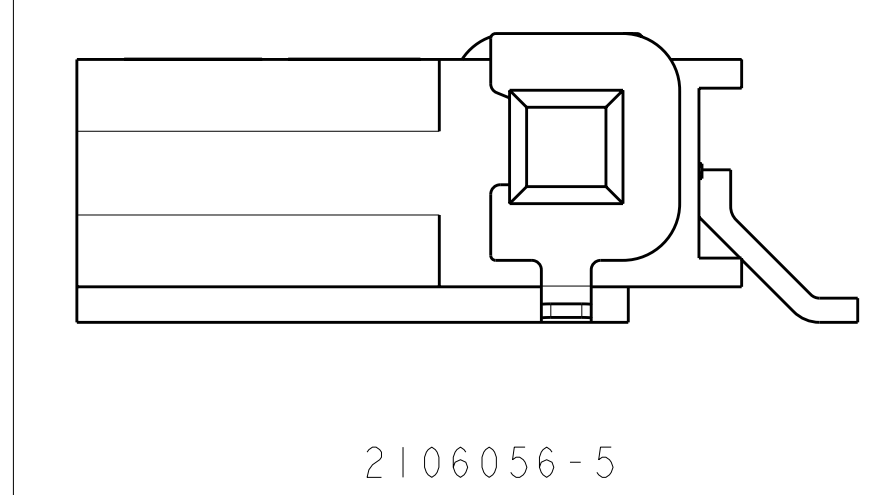
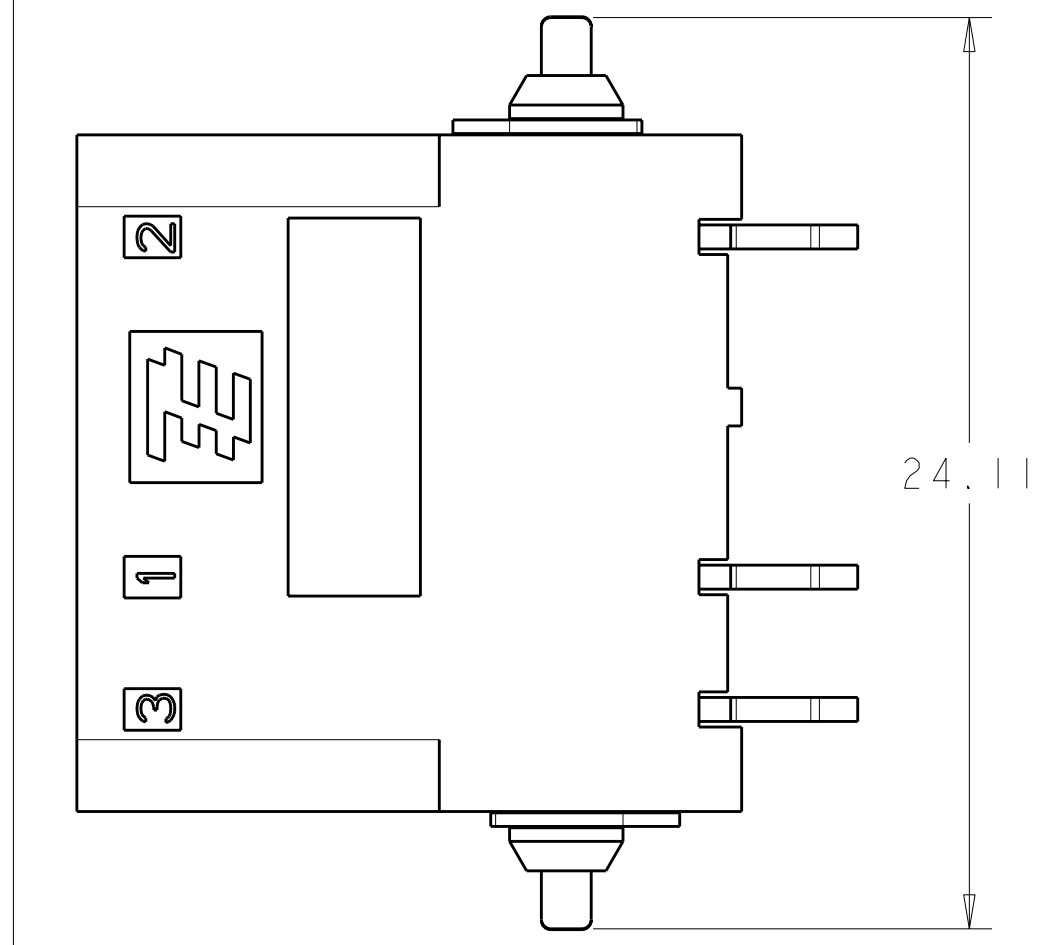
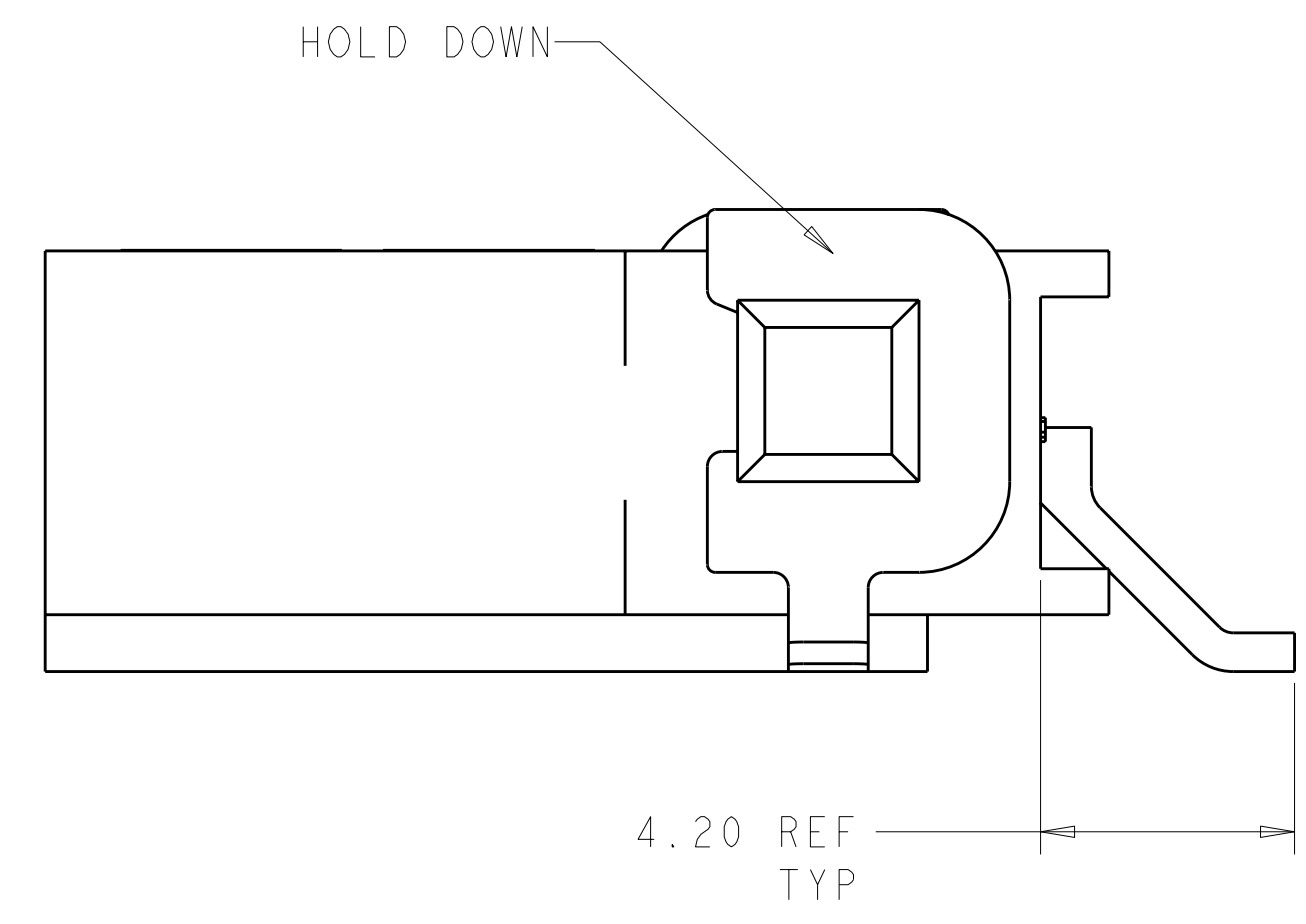
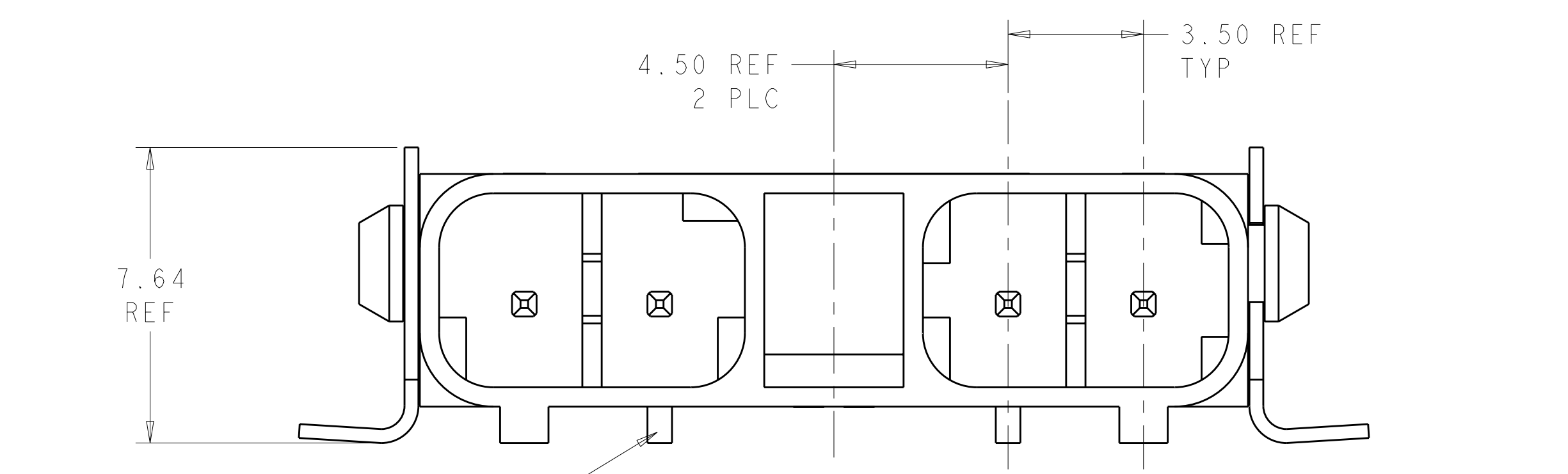
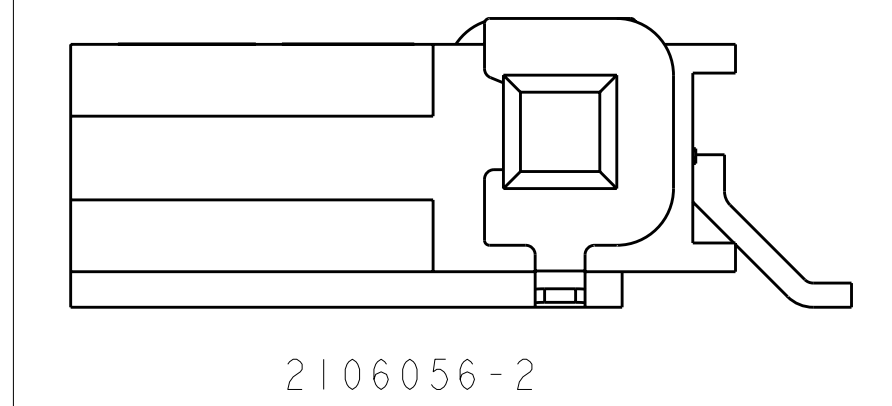
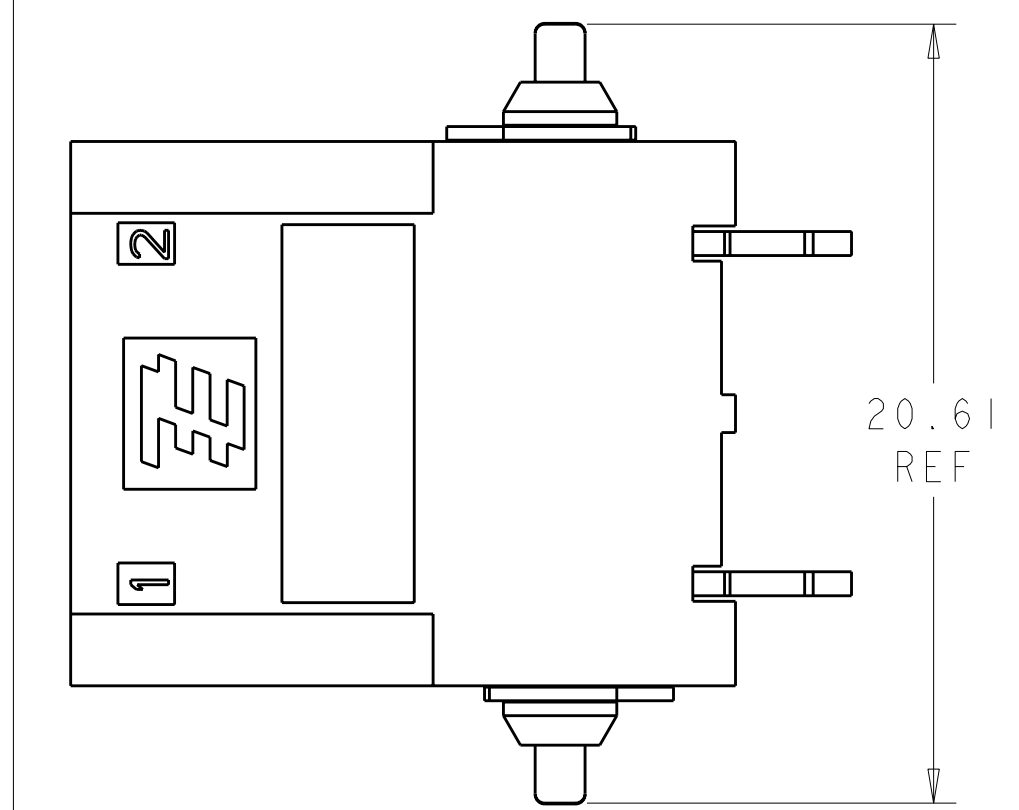


LOC	DIST	REVISIONS					
CM	00	P	LTN	DESCRIPTION	DATE	DWN	APVD
		A2		REVISED PER ECO-11-004820	11MAR2011	RK	HMR



- △ MATERIAL: HOUSING: LCP, COLOR: BLACK.
- CONTACTS: BRASS.
- FINISH: 2.54µm MIN MATTE TIN OVER NICKEL (ENTIRE POST).
- HOLDDOWN: COPPER ALLOY.
- FINISH: 2.54µm MIN MATTE TIN OVER NICKEL.
- 2. THIS PRODUCT HAS NOT COMPLETED VALIDATION TESTING.
- △ 3. RECOMMENDED PC BOARD THICKNESS OF 1.57.
- 4. TAPE AND REEL PACKAGING PER EIA-481 SPEC.
- 5. MUST COMPLY WITH DIRECTIVE 2002/95/EC (ROHS).



10.69	10.81	21.40	27.61	12.46	12.46	4	2106056-8
8.94	10.68	17.90	24.11	8.96	12.46	3	2106056-5
7.19	10.51	14.40	20.61	8.96	8.96	2	2106056-2
DIM F	DIM E	DIM D	DIM C	DIM B	DIM A	POSN	PART NUMBER

RECOMMENDED PC BOARD PAD LAYOUT, COMPONENT SIDE △
DIMENSIONS APPLY TO ALL POSITIONS UNLESS OTHERWISE NOTED

THIS DRAWING IS A CONTROLLED DOCUMENT.

DMN: MM. VAN SCOIO 26FEB2009
CHK: A. BUCHER 26FEB2009
APVD: A. BUCHER 26FEB2009

NAME: ASSEMBLY RIGHT ANGLE SMT HEADER SLIMSEAL SSL CONNECTOR

PRODUCT SPEC: 108-2391
APPLICATION SPEC: 114-13261

SIZE: CAGE CODE DRAWING NO: A100779C=2106056
RESTRICTED TO: -

MATERIAL: △
FINISH: △

WEIGHT: -
CUSTOMER DRAWING

SCALE: 4:1 SHEET 1 OF 1 REV A2