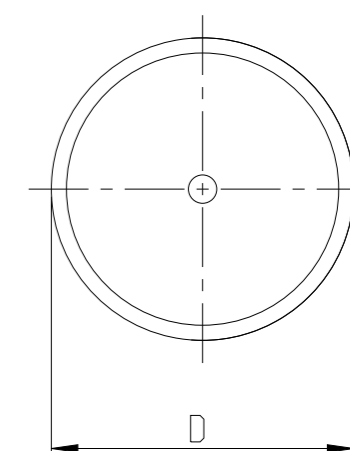
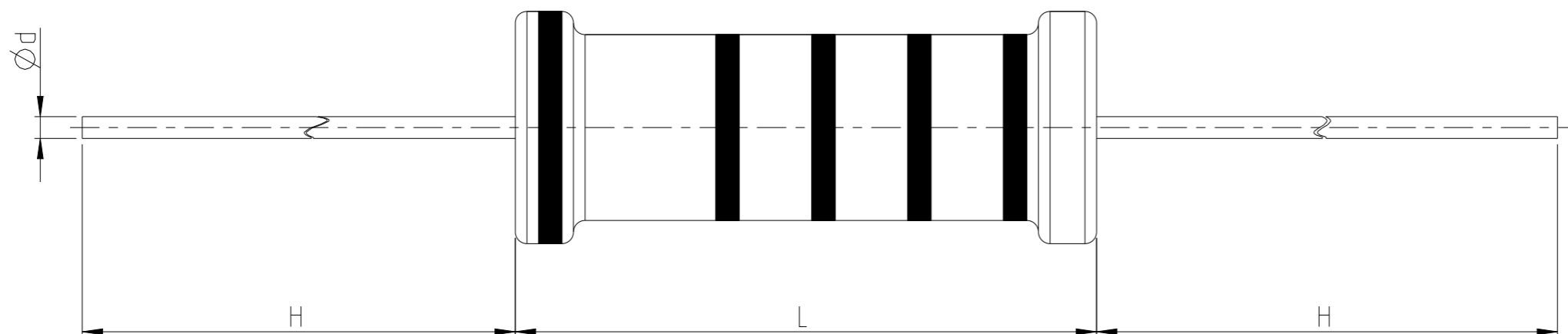


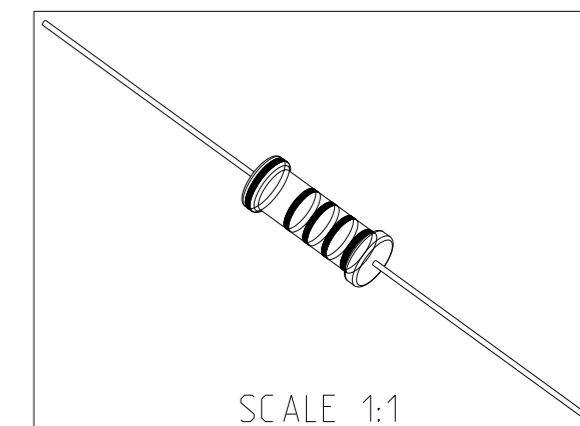
REVISIONS

P	LTR	DESCRIPTION	DATE	DWN	APVD
	BA	INITIAL DRAWING RELEASE	24APR2025	RS	GT

FOR FURTHER INFORMATION SEE DATA SHEET FOR FUSIBLE WIREWOUND FIXED RESISTOR - TYPE FWFU SERIES



POWER RATING	D(MAX)	L(MAX)	D±0.05	H±3
FWFU 5W	8	20	0.75	38



THIS DRAWING IS A CONTROLLED DOCUMENT.

DIMENSIONS:	TOLERANCES UNLESS OTHERWISE SPECIFIED:
mm	
	0 PLC ±
	1 PLC ±
	2 PLC ±
	3 PLC ±
	4 PLC ±
	ANGLES ±
MATERIAL	FINISH
-	-

DWN	RAMESHA L S	24APR2025
CHK	TRACY G	24APR2025
APVD	TRACY G	24APR2025
PRODUCT SPEC	-	
APPLICATION SPEC	-	
WEIGHT	-	
CUSTOMER DRAWING		



NAME
FUSIBLE WIREWOUND FIXED RESISTOR
TYPE FWFU 5W SERIES

SIZE	CAGE CODE	DRAWING NO	RESTRICTED TO
A3	00779	©=2176794	-
SCALE 5:1		SHEET 1 OF 2	REV BA

REVISIONS


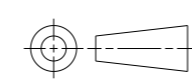
P	LTR	DESCRIPTION	DATE	DWN	APVD
	-	SEE SHEET 1	-	-	-

SCHEDULE

TCPN	CATALOGUE NUMBER	PART DESCRIPTION	PART STATUS
6-2176794-7	FWFU5WR47J	FWFU 5W R47 5%	PRODUCTION
2176794-2	FWFU5WR51J	FWFU 5W R51 5%	PRODUCTION
2176794-3	FWFU5WR56J	FWFU 5W R56 5%	PRODUCTION
2176794-4	FWFU5WR62J	FWFU 5W R62 5%	PRODUCTION
2176794-5	FWFU5WR68J	FWFU 5W R68 5%	PRODUCTION
2176794-6	FWFU5WR75J	FWFU 5W R75 5%	PRODUCTION
2176794-7	FWFU5WR82J	FWFU 5W R82 5%	PRODUCTION
2176794-8	FWFU5WR91J	FWFU 5W R91 5%	PRODUCTION
2176794-9	FWFU5W1R0J	FWFU 5W 1R0 5%	PRODUCTION
1-2176794-0	FWFU5W1R1J	FWFU 5W 1R1 5%	PRODUCTION
1-2176794-1	FWFU5W1R2J	FWFU 5W 1R2 5%	PRODUCTION
1-2176794-2	FWFU5W1R3J	FWFU 5W 1R3 5%	PRODUCTION
1-2176794-3	FWFU5W1R5J	FWFU 5W 1R5 5%	PRODUCTION
1-2176794-4	FWFU5W1R6J	FWFU 5W 1R6 5%	PRODUCTION
1-2176794-5	FWFU5W1R8J	FWFU 5W 1R8 5%	PRODUCTION
1-2176794-6	FWFU5W2R0J	FWFU 5W 2R0 5%	PRODUCTION
1-2176794-7	FWFU5W2R2J	FWFU 5W 2R2 5%	PRODUCTION
1-2176794-8	FWFU5W2R4J	FWFU 5W 2R4 5%	PRODUCTION
1-2176794-9	FWFU5W2R7J	FWFU 5W 2R7 5%	PRODUCTION
2-2176794-0	FWFU5W3R0J	FWFU 5W 3R0 5%	PRODUCTION
2-2176794-1	FWFU5W3R3J	FWFU 5W 3R3 5%	PRODUCTION
2-2176794-2	FWFU5W3R6J	FWFU 5W 3R6 5%	PRODUCTION
2-2176794-3	FWFU5W3R9J	FWFU 5W 3R9 5%	PRODUCTION
2-2176794-4	FWFU5W4R3J	FWFU 5W 4R3 5%	PRODUCTION
2-2176794-5	FWFU5W4R7J	FWFU 5W 4R7 5%	PRODUCTION
2-2176794-6	FWFU5W5R1J	FWFU 5W 5R1 5%	PRODUCTION
2-2176794-7	FWFU5W5R6J	FWFU 5W 5R6 5%	PRODUCTION
2-2176794-8	FWFU5W6R2J	FWFU 5W 6R2 5%	PRODUCTION
2-2176794-9	FWFU5W6R8J	FWFU 5W 6R8 5%	PRODUCTION
3-2176794-0	FWFU5W7R5J	FWFU 5W 7R5 5%	PRODUCTION
3-2176794-1	FWFU5W8R2J	FWFU 5W 8R2 5%	PRODUCTION
3-2176794-2	FWFU5W9R1J	FWFU 5W 9R1 5%	PRODUCTION
3-2176794-3	FWFU5W10RJ	FWFU 5W 10R 5%	PRODUCTION

SCHEDULE

TCPN	CATALOGUE NUMBER	PART DESCRIPTION	PART STATUS
3-2176794-4	FWFU5W11RJ	FWFU 5W 11R 5%	PRODUCTION
3-2176794-5	FWFU5W12RJ	FWFU 5W 12R 5%	PRODUCTION
3-2176794-6	FWFU5W13RJ	FWFU 5W 13R 5%	PRODUCTION
3-2176794-7	FWFU5W15RJ	FWFU 5W 15R 5%	PRODUCTION
3-2176794-8	FWFU5W16RJ	FWFU 5W 16R 5%	PRODUCTION
3-2176794-9	FWFU5W18RJ	FWFU 5W 18R 5%	PRODUCTION
4-2176794-0	FWFU5W20RJ	FWFU 5W 20R 5%	PRODUCTION
4-2176794-1	FWFU5W22RJ	FWFU 5W 22R 5%	PRODUCTION
4-2176794-2	FWFU5W24RJ	FWFU 5W 24R 5%	PRODUCTION
4-2176794-3	FWFU5W27RJ	FWFU 5W 27R 5%	PRODUCTION
4-2176794-4	FWFU5W30RJ	FWFU 5W 30R 5%	PRODUCTION
4-2176794-5	FWFU5W33RJ	FWFU 5W 33R 5%	PRODUCTION
4-2176794-6	FWFU5W36RJ	FWFU 5W 36R 5%	PRODUCTION
4-2176794-7	FWFU5W39RJ	FWFU 5W 39R 5%	PRODUCTION
4-2176794-8	FWFU5W43RJ	FWFU 5W 43R 5%	PRODUCTION
4-2176794-9	FWFU5W47RJ	FWFU 5W 47R 5%	PRODUCTION
5-2176794-0	FWFU5W51RJ	FWFU 5W 51R 5%	PRODUCTION
5-2176794-1	FWFU5W56RJ	FWFU 5W 56R 5%	PRODUCTION
5-2176794-2	FWFU5W62RJ	FWFU 5W 62R 5%	PRODUCTION
5-2176794-3	FWFU5W68RJ	FWFU 5W 68R 5%	PRODUCTION
5-2176794-4	FWFU5W75RJ	FWFU 5W 75R 5%	PRODUCTION
5-2176794-5	FWFU5W82RJ	FWFU 5W 82R 5%	PRODUCTION
5-2176794-6	FWFU5W91RJ	FWFU 5W 91R 5%	PRODUCTION
5-2176794-7	FWFU5W100RJ	FWFU 5W 100R 5%	PRODUCTION
5-2176794-8	FWFU5W110RJ	FWFU 5W 110R 5%	PRODUCTION
5-2176794-9	FWFU5W120RJ	FWFU 5W 120R 5%	PRODUCTION
6-2176794-0	FWFU5W130RJ	FWFU 5W 130R 5%	PRODUCTION
6-2176794-1	FWFU5W150RJ	FWFU 5W 150R 5%	PRODUCTION
6-2176794-2	FWFU5W160RJ	FWFU 5W 160R 5%	PRODUCTION
6-2176794-3	FWFU5W180RJ	FWFU 5W 180R 5%	PRODUCTION
6-2176794-4	FWFU5W200RJ	FWFU 5W 200R 5%	PRODUCTION
6-2176794-5	FWFU5W220RJ	FWFU 5W 220R 5%	PRODUCTION
6-2176794-6	FWFU5W240RJ	FWFU 5W 240R 5%	PRODUCTION

THIS DRAWING IS A CONTROLLED DOCUMENT.		DWN RAMESHA L S 24APR2025	 TE Connectivity	
DIMENSIONS: mm		CHK TRACY G 24APR2025		
		APVD TRACY G 24APR2025		
TOLERANCES UNLESS OTHERWISE SPECIFIED:		PRODUCT SPEC	NAME FUSIBLE WIREWOUND FIXED RESISTOR TYPE FWFU 5W SERIES	
0 PLC ±		APPLICATION SPEC	SIZE A3	CAGE CODE 00779
1 PLC ±		WEIGHT -	DRAWING NO C-2176794	RESTRICTED TO -
2 PLC ±		CUSTOMER DRAWING	SCALE 5:1	SHEET 2 OF 2
3 PLC ±				REV BA
4 PLC ±				
ANGLES ±				
MATERIAL -				
FINISH -				