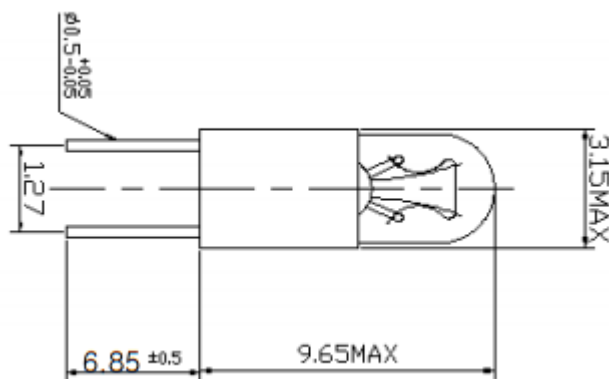


# Datasheet

## Clear Lead Pins Filament Indicator Lamp

RS Stock number [655-9378](#)

Dimensions: (mm)



### Specifications

Structure		Design Characteristics	
Bulb Type	T1Clear	Voltage	5V
Bulb Diameter	$\phi 3.15\text{Max}$	Amperage	60mA $\pm$ 10%
Length	16.5Max	Filament Type	Vacuum Type
Base Type	Bi-pin	Life Hours	10000Hrs
		Luminous Flux	0.63Lm $\pm$ 20%