



RS Stock No. 1368926

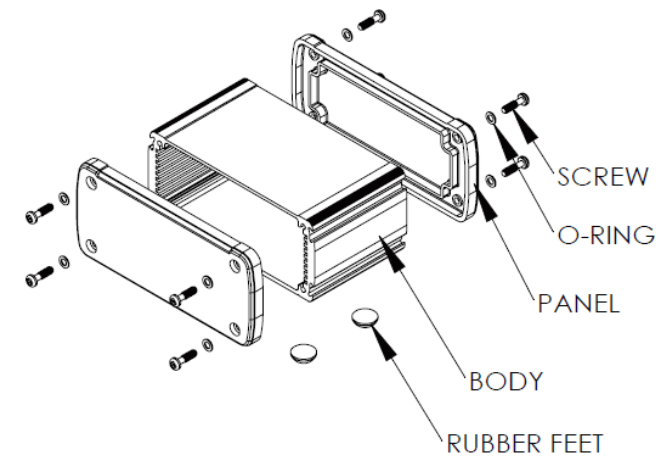
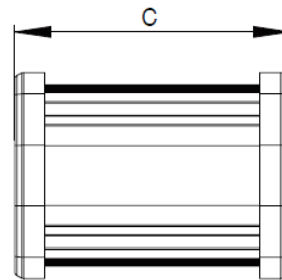
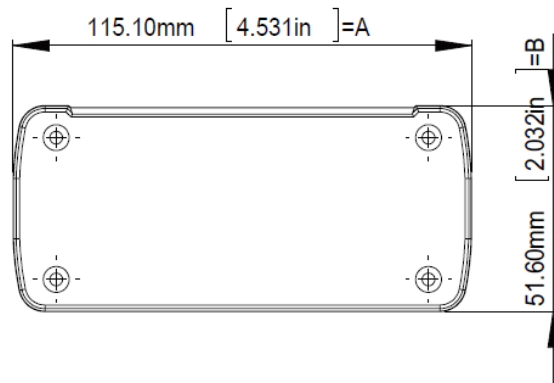
RS Stock No. 1368927

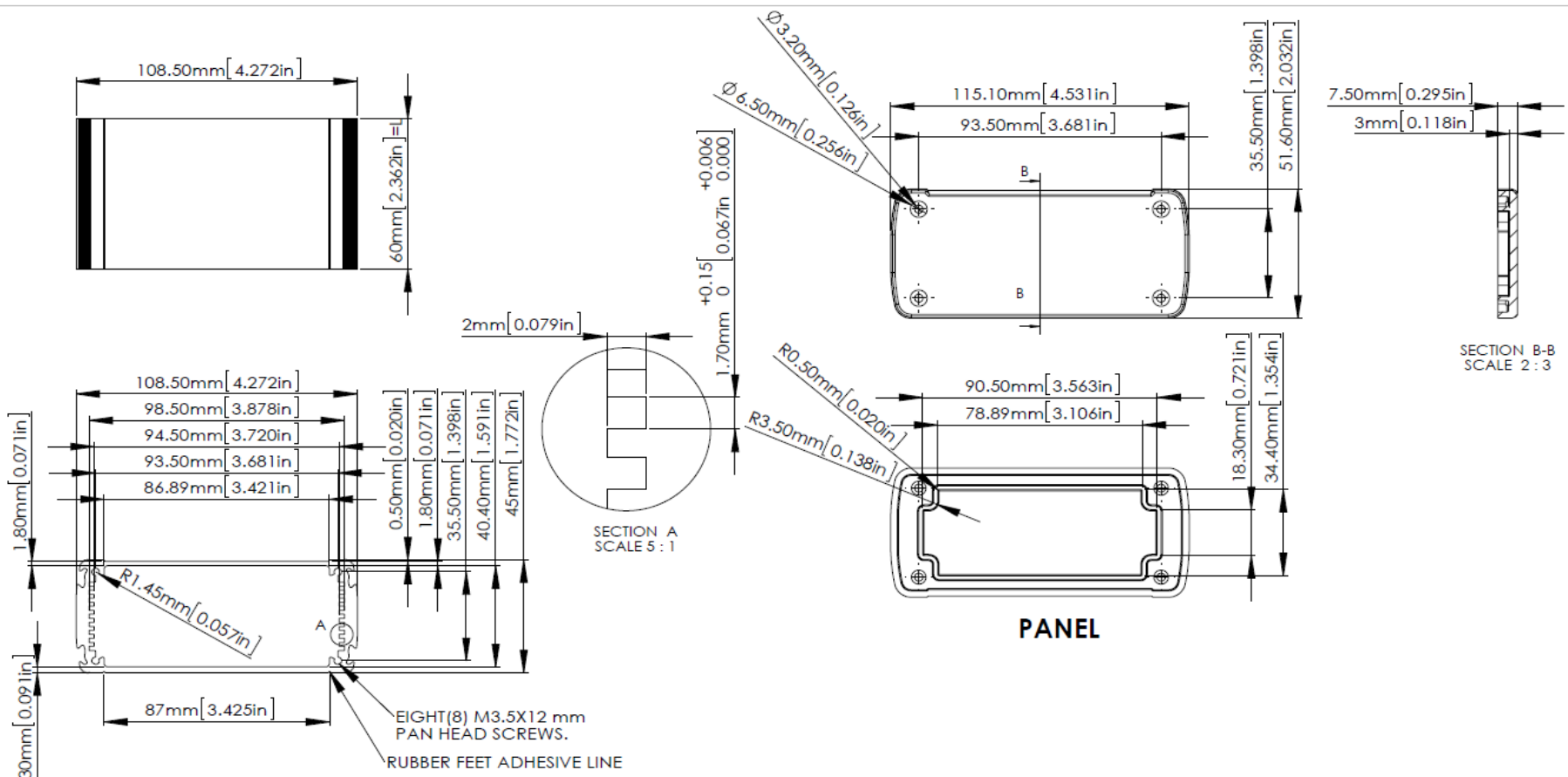
RS Stock No. 1368928

RS Stock No. 1368929

RS Stock No. 1368930

RS Stock No. 1368932





RS Stock No.	L (mm)
1368926	60
1368927	110
1368928	160
1368929	60
1368930	110
1368932	160

According to ISO 2768-m	
Measuring DIM=L	Tolerances
0.5<L<=3.0mm	±0.1mm
3.0<L<=6.0 mm	±0.1mm
6.0<L<=30.0 mm	±0.2mm
30.0<L<=120.0 mm	±0.3mm
120.0<L<=400.0 mm	±0.5mm
400.0<L<=1000.0 mm	±0.8mm