



# PRODUCT DATASHEET

## Tina2 series

last update 19/6/2012

### DETAILS

Product Number	CP12674_TINA2-W
Family	Tina2
Type	Assembly
Color	black
Diameter	16.1 mm
Height	9.65 mm
Style	round
Optic Material	PMMA
Holder Material	PC
Fastening	glue
Status	ready
ROHS Compliant	Yes
Date Updated	19/06/2012



### OPTICAL PROPERTIES

LED	Viewing Angle	Light Beam	Efficiency	cd/lm	Connector
XB-D	39 deg	Wide	81 %	1.800	-

D

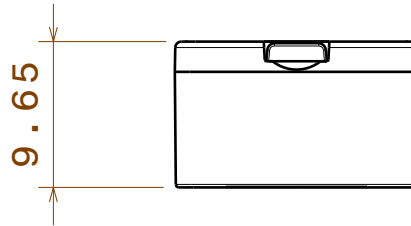
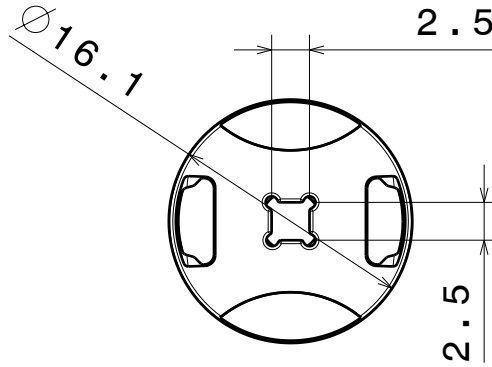
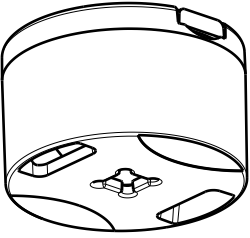
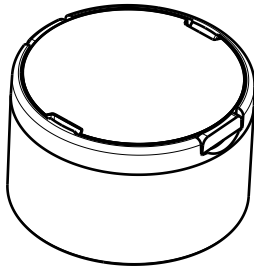
C

B

A

4

4



3

3

2

2

Materials:  
 lens PMMA  
 holder PC, black

Fastening to application:  
 Glue

Tolerances for dimensions:  
 0-20mm tolerance value +/-0.1mm

1

1

This drawing is our property.  
 It can't be reproduced  
 or communicated without  
 our written agreement.



Ledil Oy  
 Salorankatu 10  
 FIN 24240 SALO  
 Finland

DRAWING TITLE

Datasheet Tina2 XB assy

DRAWN BY

pv

DATE

19.03.2012

CHECKED BY

sn

DATE

19.03.2012

SIZE

A4

DRAWING NUMBER

-

REV

1

DESIGNED BY

pv

DATE

12.03.2012

SCALE

2:1

WEIGHT (g)

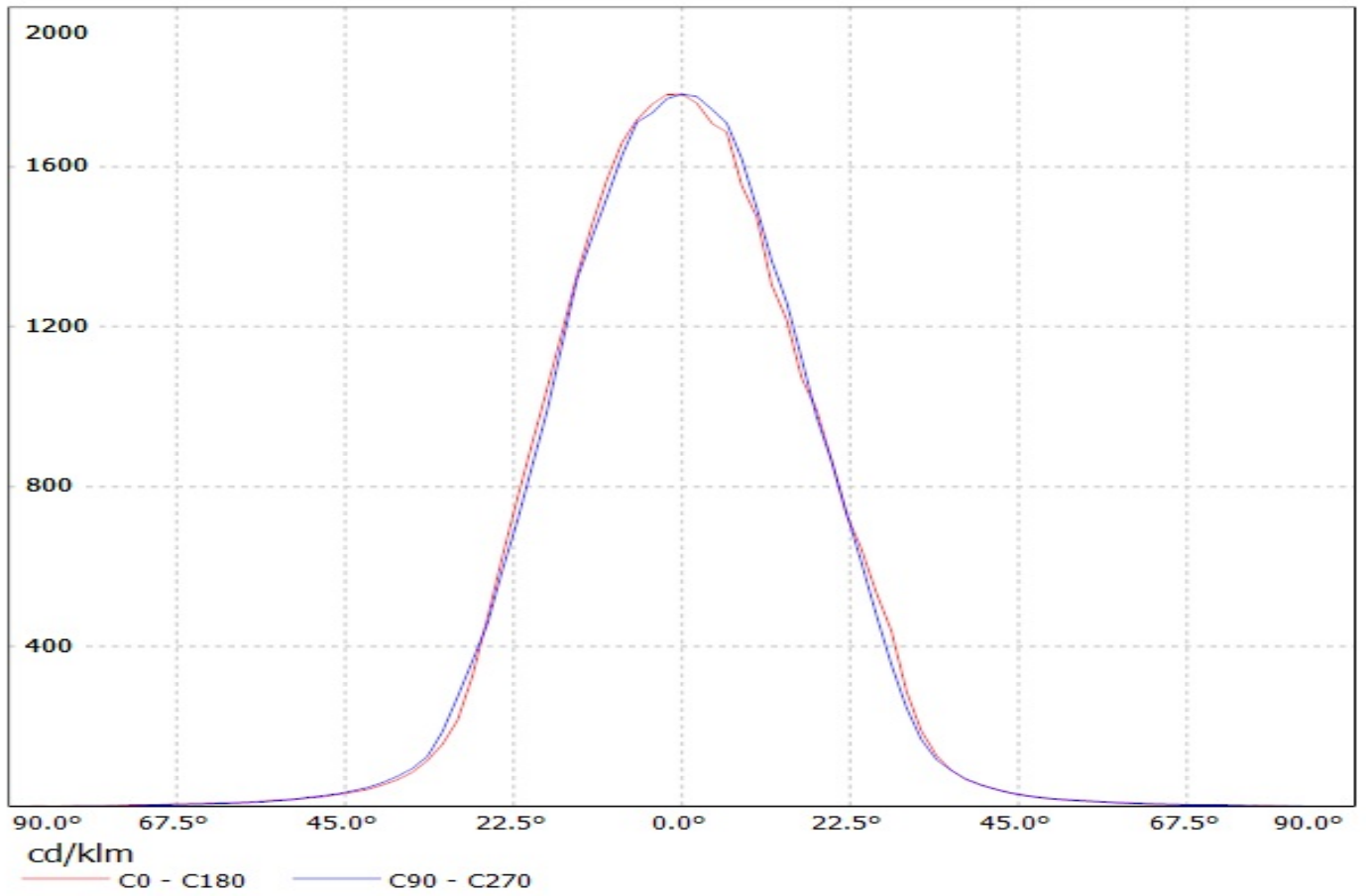
SHEET

1/1

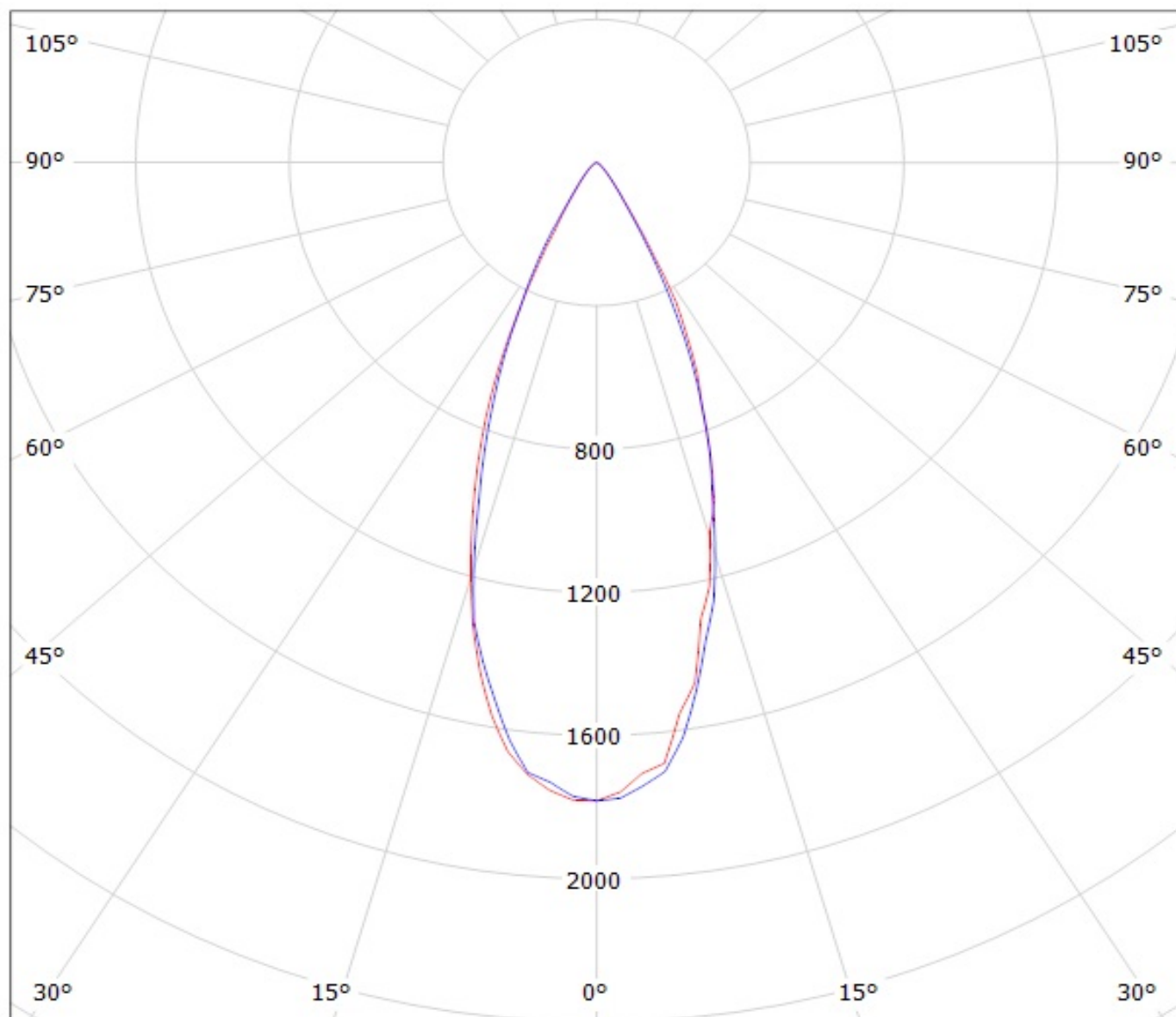
D

A

Luminaire: Ledil Oy CP12674\_TINA2-W (Cree XB-D 94lm @ 250mA) Efficiency=81%  
Lamps: 1 x Cree XB-D 94lm @ 250mA



Luminaire: Ledil Oy CP12674\_TINA2-W (Cree XB-D 94lm @ 250mA) Efficiency=81%  
Lamps: 1 x Cree XB-D 94lm @ 250mA



cd/klm

— C0 - C180

— C90 - C270

**NOTE: The typical divergence will be changed by different color, chip size and chip position tolerance. The typical total divergence is the full angle measured where the luminous intensity is half of the peak value.**

### **GENERAL INFORMATION**

- Product series especially designed & optimized for series of LEDs.
- Special care taken to make light distribution as uniform as possible.
- Fastening to PCB with appropriate adhesive. By clicking link below you can find Ledil recommended glue options.  
[http://www.ledil.com/datasheets/DataSheet\\_GLUES.pdf](http://www.ledil.com/datasheets/DataSheet_GLUES.pdf)

**NOTE 1: We advise customer to ensure the suitability and sufficiency of the bond in the end product. For example, mechanical stress, vibration and holes on the surface of the circuit board weaken the strength of the glue.**

**NOTE 2: All surfaces where glue is applied must be clean, dry and free from grease and dirt. If cleaning of PCB surfaces is needed, please follow strictly the cleaning instructions of your LED manufacturer -this is important as cleaning shall under no circumstances damage LEDs or other electronics components on the PCB.**

**Further note that optical components shall not be cleaned with any chemicals - only micro fiber cloth may be used to remove fingerprints or other traces from handling.**