

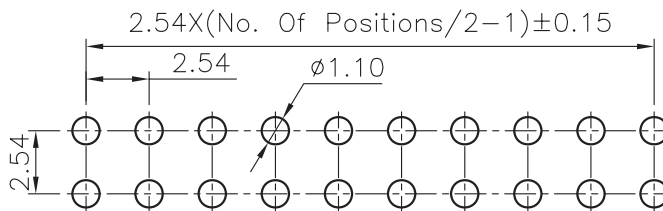
1

2

3

4

5



PCB LAYOUT - COMPONENT VIEW

## TECHNICAL CHARACTERISTICS

MATERIAL  
 INSULATOR: PBT  
 COLOR: BLACK  
 CONTACT MATERIAL: COPPER ALLOY  
 CONTACT TYPE: STAMPED  
 CONTACT PLATING: GOLD  
 QUALITY CLASS: 3 AS PER CECC 75 301-802  
 PITCH: 2.54MM

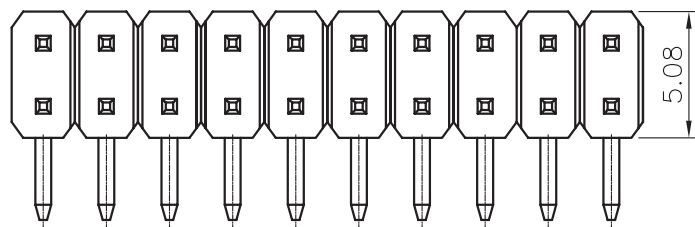
ENVIRONMENTAL  
 OPERATING TEMPERATURE: -40 UP TO 125°C  
 FLAMABILITY RATING: UL94-V0  
 COMPLIANCE: LEAD FREE AND ROHS

ELECTRICAL  
 CURRENT RATING: 3A  
 WORKING VOLTAGE: 250V AC  
 INSULATOR RESISTANCE: >1000 mOHM  
 DIELECTRIC WITHSTANDING VOLTAGE: 500V AC/MN  
 CONTACT RESISTANCE: 20 mOHM MAX

SOLDERING  
 WAVE PROCESS ONLY

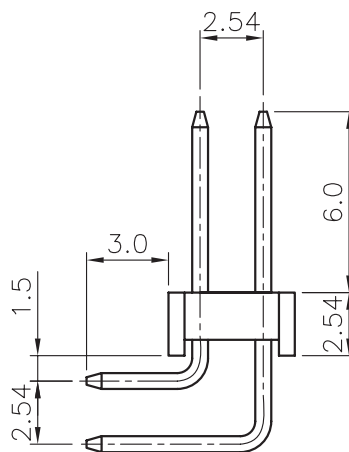
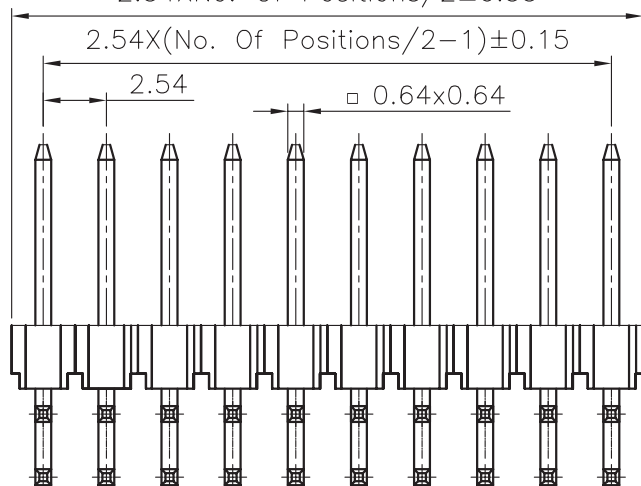
PACKAGING  
 BAG

DIMENSION  
 A= 2.54 x (NB. PIN / 2-1)  
 B= 2.54 x (NB. PIN / 2)


 $2.54 \times \text{No. of Positions} / 2 \pm 0.35$ 
 $2.54 \times (\text{No. of Positions} / 2 - 1) \pm 0.15$ 

2.54

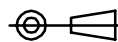
□ 0.64x0.64



RoHS Compliant

G	12-JUL-10	UPDATE	JC
F	08-JUL-10	PACKAGING	JC
E	23-NOV-07	MODIFICATIONS	EC
D	07-DEC-06	DRAW	EC
C	29-MAR-04	LEAD FREE	JP
B	15-MAR-04		JP
H	08-APR-13	DIMENSION	AR
REV	DATE	FILE	BY

PROJECTION:



APPROVAL: RJ

GENERAL TOLERANCE

.X = +/- 0.2

.XX = +/- 0.15



UNIT: MM

SCALE:

SHEET: 1/2

DRAW: PEARL

DESCRIPTION: 2.54MM ANGLED DUAL PIN HEADER

WERI PART NO: 6130xx 21021

SIZE

A4

A

B

C

D