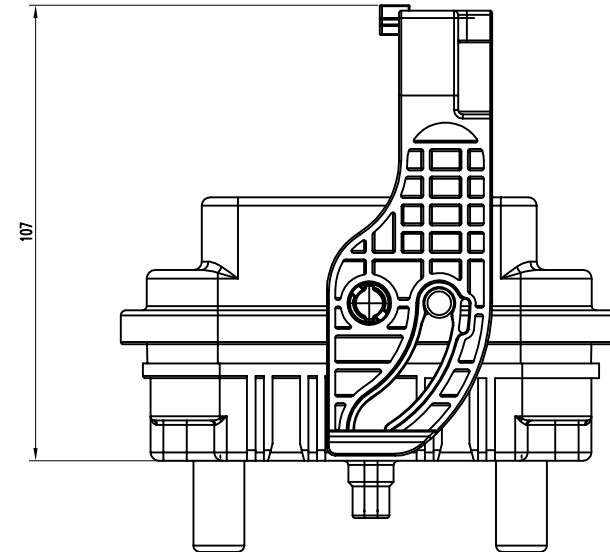
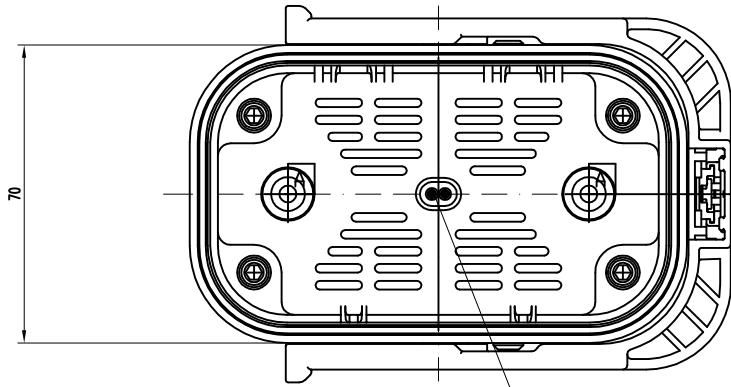
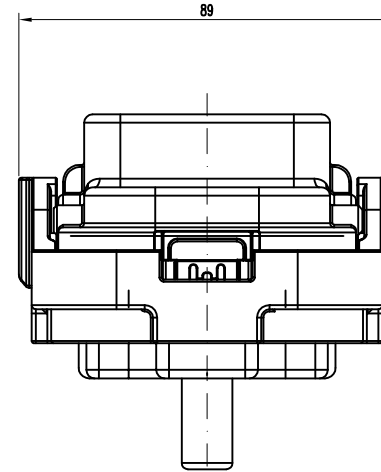
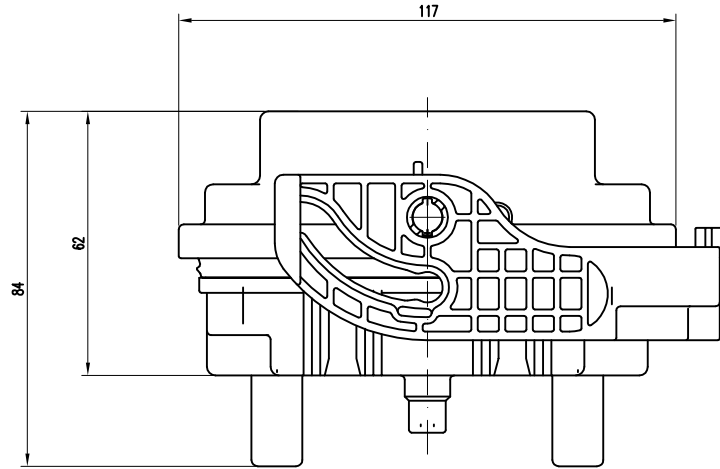


MSDMXXX

REV	ECN	DESCRIPTION	DATE	MODIFIED
A		PRE-RELEASE	2017.04.18	Gino Wu

Amphenol PCD SZ
ORIGINAL
PDF Format
18 Apr.17R&D



HVIL PIN:
P/N:C200003644

TECHNICAL SPECIFICATONS:

- SIGNAL CONNECTOR: C200003644
高压互锁信号连接器型号: C200003644
- RATED VOLTAGE/额定工作电压:
 - WITH FUSE/带保险丝: 最大1000V DC.
 - WITHOUT FUSE/不带保险丝: 最大1500V DC.
- RATED CURRENT/额定工作电流:
 - WITH FUSE/带保险丝: SELECTION BY FUSE/由保险丝规格而变动:
(160A、200A、250A、315A、350A、400A、450A、500A、550A、630A)
 - WITHOUT FUSE/不带保险丝: 300A MAX./最大300A; 400APEAK/400A峰值
- OPERATE TEMPERATURE: -40°C TO +50°C/工作环境温度-40°C ~ +50°C
- HUMIDITY: 40%~70% (23±5°C)/相对湿度40%~70% (温度为23±5°C)
- IP CODE: IP67, IP6K9K(MATED)/插合后IP等级为IP67
- MATING & UN-MATING FORCE: <100N/插拔力小于100N
- DURABILITY > 500 CYCLES/插拔次数大于500次

DIMENSIONS	TOLERANCES	PROJECTION	TITLE	
ANSI Y14.5M UNITS: MM CAD FILE	.X ±1 .XX ±0.5 ANGLES ±0.5°		Amphenol Pcd Shenzhen	
ORIGINAL NOT FOR CUSTOMER DISTRIBUTION	THIS DOCUMENT CONTAINS PROPRIETARY INFORMATION WHICH IS THE CONFIDENTIAL PROPERTY OF AMPHENOL PCD SHENZHEN		MSD XL PLUG	
			ENGR Gino Wu 2017.04.18	REV A
			CHKD	SIZE A3
			APPD	DWG NO. MSDXLMXXX
			CODE:	SCALE 1:1
				SHEET 1 OF 1

MSDMXXX

MSDXLMXXX