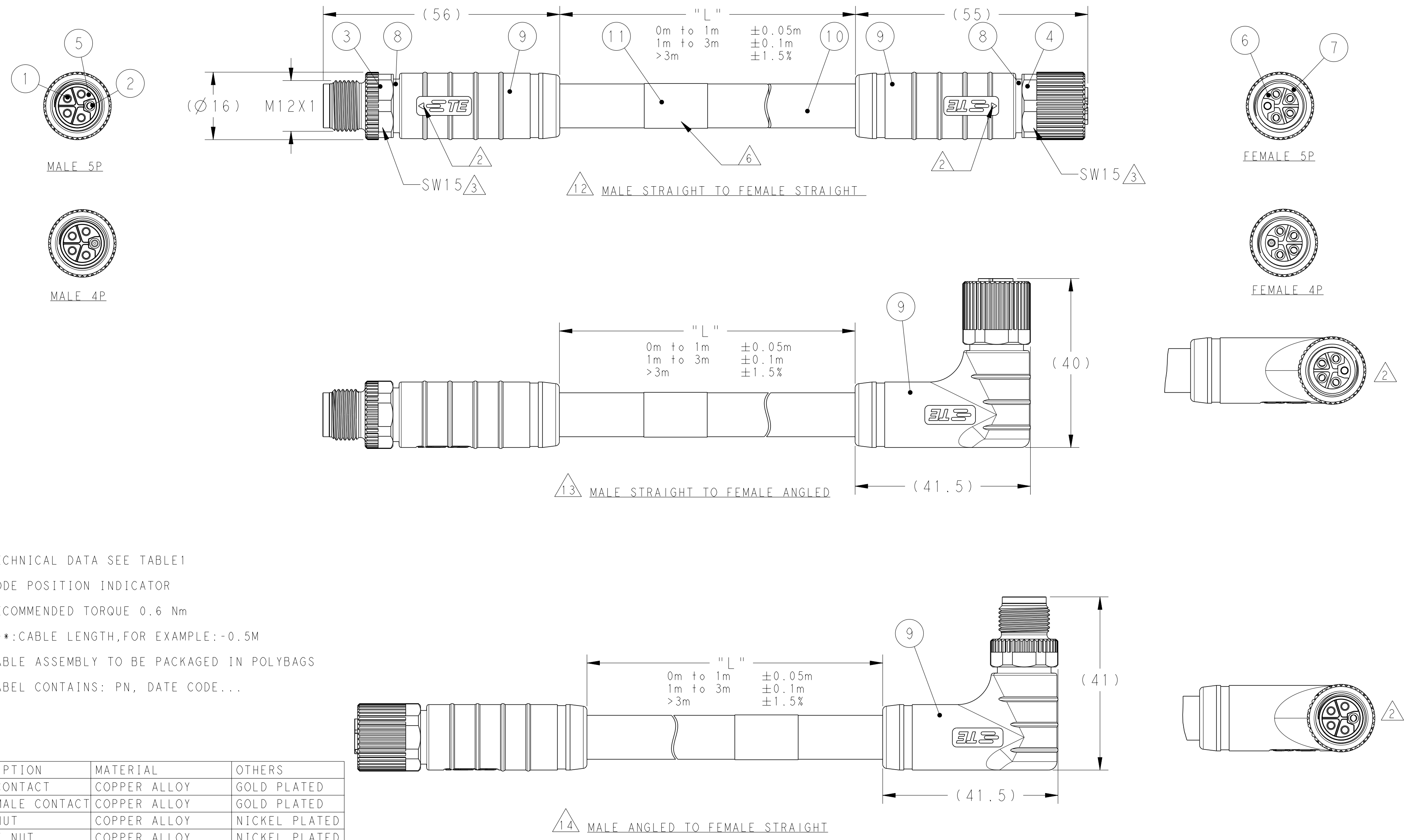


THIS DRAWING IS UNPUBLISHED. RELEASED FOR PUBLICATION  
 © COPYRIGHT copyright.d8Te ALL RIGHTS RESERVED.

REVISIONS				
P	LTR	DESCRIPTION	DATE	APVD
	A	NEW RELEASE	01FEB2021	AZ CW



NOTE:  
 ① TECHNICAL DATA SEE TABLE I  
 ② CODE POSITION INDICATOR  
 ③ RECOMMENDED TORQUE 0.6 Nm  
 ④ -\*\* : CABLE LENGTH, FOR EXAMPLE: -0.5M  
 5. CABLE ASSEMBLY TO BE PACKAGED IN POLYBAGS  
 ⑥ LABEL CONTAINS: PN, DATE CODE...

ITEM	DESCRIPTION	MATERIAL	OTHERS
1	MALE CONTACT	COPPER ALLOY	GOLD PLATED
2	FE/FEMALE CONTACT	COPPER ALLOY	GOLD PLATED
3	MALE NUT	COPPER ALLOY	NICKEL PLATED
4	FEMALE NUT	COPPER ALLOY	NICKEL PLATED
5	MALE HOUSING	NYLON	BLACK 4P GRAY 5P
6	FEMALE HOUSING	NYLON	BLACK 4P GRAY 5P
7	O-RING	SILICONE RUBBER	GRAY
8	METAL SHELL	COPPER ALLOY	NICKEL PLATED
9	CONNECTOR GRIP	TPU	BLACK
10	CABLE	PVC/PUR JACKET	BLACK OR GRAY
11	LABEL	-	-

THIS DRAWING IS A CONTROLLED DOCUMENT.

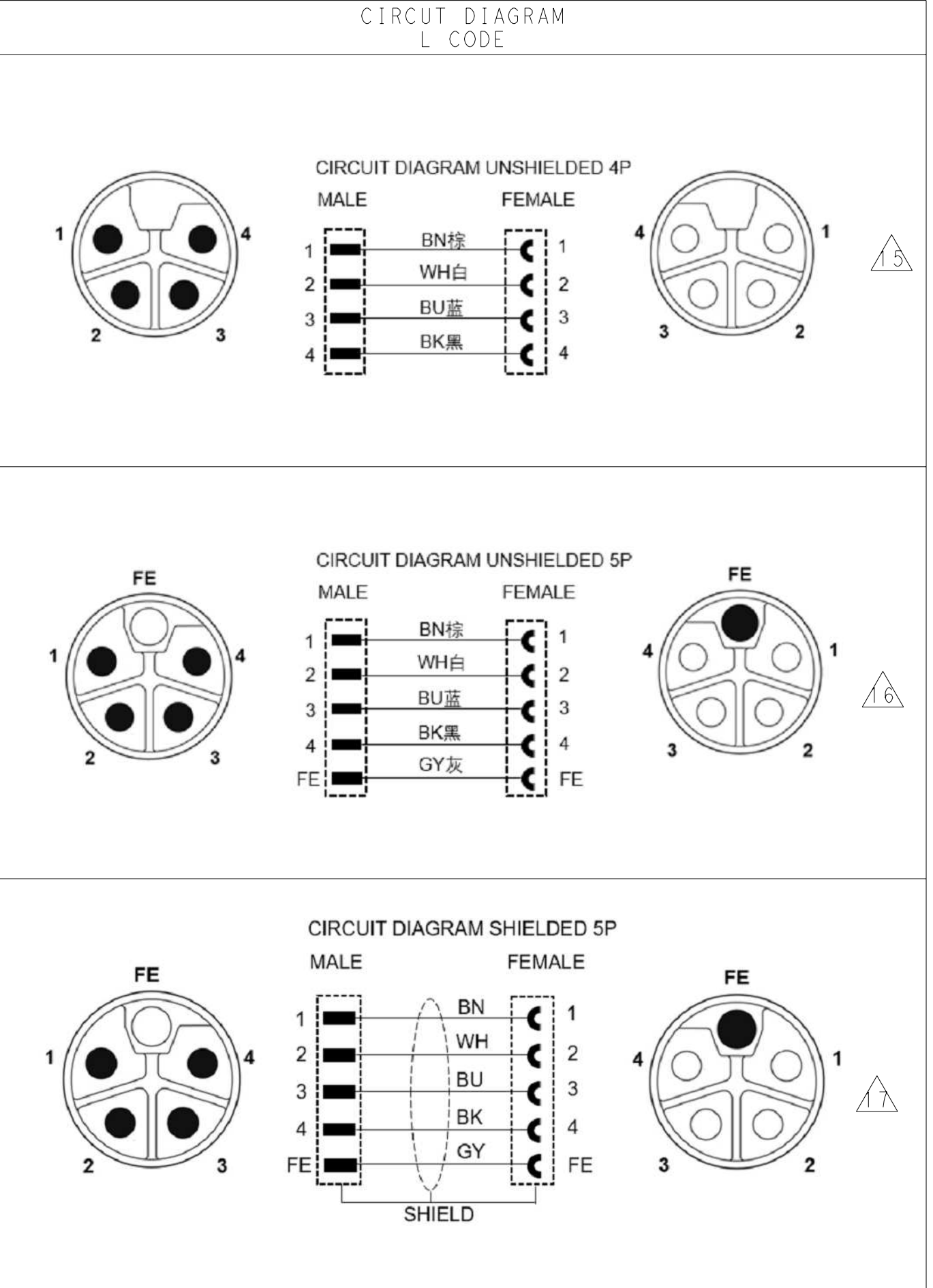
DIMENSIONS: mm	TOLERANCES UNLESS OTHERWISE SPECIFIED:	DWN: ALEX ZHANG 04NOV2020	TE Connectivity
	0 PLC ±1	CHK: HART HE 04NOV2020	
	1 PLC ±0.5	APVD: CHRIS WANG 04NOV2020	
	2 PLC ±0.30	NAME: M12 L CODE CORDSETS MALE TO FEMALE	
MATERIAL	4 PLC ±	PRODUCT SPEC: 108-137350	SIZE: A2
	ANGLES ±	APPLICATION SPEC: 114-137144	CAGE CODE: C-T41X2XXXLXXXX
	FINISH	WEIGHT: -	DRAWING NO: -
		CUSTOMER DRAWING	RESTRICTED TO: -

SCALE: 3:2 SHEET 1 OF 3 REV A

THIS DRAWING IS UNPUBLISHED. RELEASED FOR PUBLICATION  
 © COPYRIGHT copyright.d8te- ALL RIGHTS RESERVED.

REVISIONS				
P	LTR	DESCRIPTION	DATE	APVD
-		SEE SHEET 1	-	-

TABLE 1	
TECHNICAL DATA	
RATED VOLTAGE	63V
RATED IMPULSE VOLTAGE	1500V
RATED CURRENT	16A/14AWG 12A/16AWG
POLLUTION DEGREE	3
OVERVOLTAGE CATEGORY	III
DEGREE OF PROTECTION	IP67



WIRES: 5X14AWG  
 JACKET: PUR GRAY  
 WIRE COLOR: BROWN/WHITE/BLUE/BLACK/GRAY  
 OD: APPROX. 10.40mm  
 TEMPERATURE RATING: 80°C UL  
 TEMP RATING:  
 -50°C TO +80°C FIXED  
 -30°C TO +80°C MOVED  
 SUITABLE FOR DRAG CHAIN APPLICATIONS

WIRES: 5X16AWG  
 JACKET: PUR GRAY  
 WIRE COLOR: BROWN/WHITE/BLUE/BLACK/GRAY  
 OD: APPROX. 9.10mm  
 TEMPERATURE RATING: 80°C UL  
 TEMP RATING:  
 -50°C TO +80°C FIXED  
 -30°C TO +80°C MOVED  
 SUITABLE FOR DRAG CHAIN APPLICATIONS

WIRES: 5X14AWG  
 JACKET: PUR GRAY  
 WIRE COLOR: BROWN/WHITE/BLUE/BLACK/GRAY  
 OD: APPROX. 9.65mm  
 TEMPERATURE RATING: 80°C UL  
 TEMP RATING:  
 -50°C TO +80°C FIXED  
 -30°C TO +80°C MOVED  
 SUITABLE FOR DRAG CHAIN APPLICATIONS

WIRES: 5X14AWG  
 JACKET: PVC GRAY  
 WIRE COLOR: BROWN/WHITE/BLUE/BLACK/GRAY  
 OD: APPROX. 10.1mm  
 TEMPERATURE RATING: 80°C UL  
 TEMP RATING:  
 -40°C TO +80°C FIXED  
 -20°C TO +80°C MOVED

WIRES: 4X16AWG  
 JACKET: PUR BLACK  
 WIRE COLOR: BROWN/WHITE/BLUE/BLACK  
 OD: APPROX. 8.4mm  
 TEMPERATURE RATING: 80°C UL  
 TEMP RATING:  
 -50°C TO +80°C FIXED  
 -30°C TO +80°C MOVED  
 SUITABLE FOR DRAG CHAIN APPLICATIONS

WIRES: 4X14AWG  
 JACKET: PVC BLACK  
 WIRE COLOR: BROWN/WHITE/BLUE/BLACK  
 OD: APPROX. 9.5mm  
 TEMPERATURE RATING: 80°C UL  
 TEMP RATING:  
 -40°C TO +80°C FIXED  
 -20°C TO +80°C MOVED

TYPICAL LENGTH:  
 -001: 0.5M  
 -002: 1.0M  
 -003: 1.5M  
 -020: 2.0M  
 -004: 3.0M  
 -005: 5.0M  
 -006: 7.0M  
 -007: 10.0M  
 -200: 20.0M  
 CUSTOMIZATION RULES:  
 -99X: 0.XM (<1.0M)  
 (-993: 0.3M)  
 (-XXX: XX.XM (>1.0M)  
 (-155: 15.5M)

CABLE CHARACTERISTIC	LENGTH "L"	TYPE	POS.	HSG COLOR	SHIELDING	TABLE 2
RPC-M12L-5MR-**-5FS-SH PUR 14AWG GY	4	5	GRAY	Y	T4162AB9L25-XXX	17 14
RPC-M12L-5MS-**-5FR-SH PUR 14AWG GY	4	5	GRAY	Y	T41626B9L25-XXX	17 13
RPC-M12L-5MS-**-5FS-SH PUR 14AWG GY	4	5	GRAY	Y	T41625B9L25-XXX	17 12
RPC-M12L-5MR-**-5FS-PUR 16AWG GY	4	5	GRAY	N	T4152AC9L25-XXX	16 14
RPC-M12L-5MS-**-5FR-PUR 16AWG GY	4	5	GRAY	N	T41526C9L25-XXX	16 13
RPC-M12L-5MS-**-5FS-PUR 16AWG GY	4	5	GRAY	N	T41525C9L25-XXX	16 12
RPC-M12L-5MR-**-5FS-PUR 14AWG GY	4	5	GRAY	N	T4152AB9L25-XXX	16 14
RPC-M12L-5MS-**-5FR-PUR 14AWG GY	4	5	GRAY	N	T41526B9L25-XXX	16 13
RPC-M12L-5MS-**-5FS-PUR 14AWG GY	4	5	GRAY	N	T41525B9L25-XXX	16 12
RPC-M12L-5MR-**-5FS-PVC 14AWG GY	4	5	GRAY	N	T4152A99L25-XXX	16 14
RPC-M12L-5MS-**-5FR-PVC 14AWG GY	4	5	GRAY	N	T4152699L25-XXX	16 13
RPC-M12L-5MS-**-5FS-PVC 14AWG GY	4	5	GRAY	N	T4152599L25-XXX	16 12
RPC-M12L-4MR-**-4FS-PUR 16AWG BK	4	4	BLACK	N	T4152AC9L14-XXX	15 14
RPC-M12L-4MS-**-4FR-PUR 16AWG BK	4	4	BLACK	N	T41526C9L14-XXX	15 13
RPC-M12L-4MS-**-4FS-PUR 16AWG BK	4	4	BLACK	N	T41525C9L14-XXX	15 12
RPC-M12L-4MR-**-4FS-PVC 14AWG BK	4	4	BLACK	N	T4152A99L14-XXX	15 14
RPC-M12L-4MS-**-4FR-PVC 14AWG BK	4	4	BLACK	N	T4152699L14-XXX	15 13
RPC-M12L-4MS-**-4FS-PVC 14AWG BK	4	4	BLACK	N	T4152599L14-XXX	15 12

THIS DRAWING IS A CONTROLLED DOCUMENT.

DIMENSIONS: mm

TOLERANCES UNLESS OTHERWISE SPECIFIED:  
 0 PLC ±1  
 1 PLC ±0.5  
 2 PLC ±0.30  
 3 PLC ±  
 4 PLC ±  
 ANGLES ±  
 FINISH

APVD: CHRIS WANG 04NOV2020

PRODUCT SPEC: 108-137350

APPLICATION SPEC: 114-137144

WEIGHT: -

CUSTOMER DRAWING

SCALE: 1:1

SHEET: 2 OF 3

REV: A

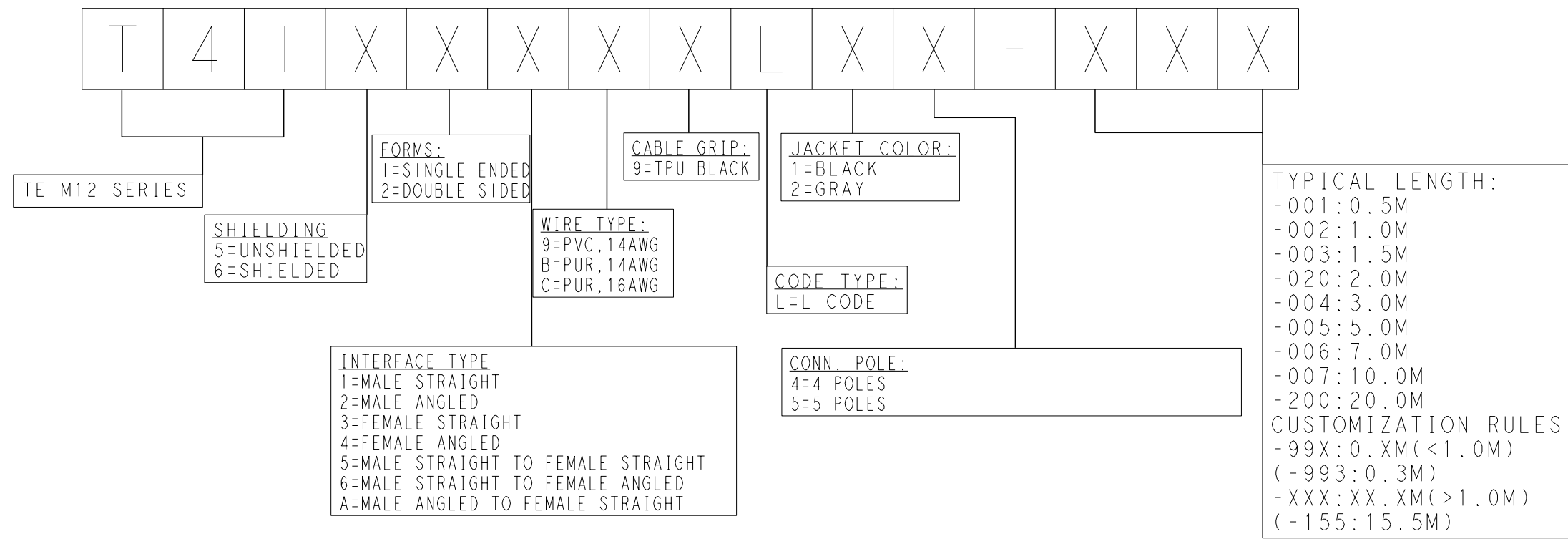
NAME: M12 L CODE CORDSETS MALE TO FEMALE

STE TE Connectivity

THIS DRAWING IS UNPUBLISHED. RELEASED FOR PUBLICATION  
 © COPYRIGHT copyright.d8te ALL RIGHTS RESERVED.

REVISIONS				
P	LTR	DESCRIPTION	DATE	APVD
-		SEE SHEET 1	-	-

**TE PN CODING:**



THIS DRAWING IS A CONTROLLED DOCUMENT.		DWN ALEX ZHANG 04NOV2020	TE Connectivity	
DIMENSIONS: mm		CHK HART HE 04NOV2020		
TOLERANCES UNLESS OTHERWISE SPECIFIED:		APVD CHRIS WANG 04NOV2020	NAME M12 L CODE CORDSETS MALE TO FEMALE	
		PRODUCT SPEC 108-137350	RESTRICTED TO	
MATERIAL		APPLICATION SPEC 114-137144	SIZE A2	CAGE CODE G-T41X2XXXXLXXXX
		WEIGHT	SCALE 3:2	SHEET 3 OF 3
		CUSTOMER DRAWING	REV A	