

# Product data sheet

Specifications



## Pressure sensors XM, pressure sensor XMP, 12 bar, G 1/4 female, 2 NC, ON/OFF knob control

XMPR12B2133

### Main

Range of product	OsiSense XM
Pressure sensor type	Electromechanical pressure sensor
Pressure sensor name	XMP
Pressure rating	12 bar
Fluid connection type	G 1/4 (female) conforming to ISO 228
Controlled fluid	Air (0...70 °C) Fresh water (0...70 °C) Sea water (0...70 °C)
Cable entry	2 entries tapped for Pg 13.5 cable gland conforming to NF C 68-300
Contacts type and composition	2 NC snap action
Product specific application	-
Pressure switch type of operation	Regulation between 2 thresholds
Electrical connection	Screw-clamp terminals, clamping capacity: minimum : 2 x 4 mm <sup>2</sup>
Electrical circuit type	Power circuit
Scale type	Adjustable differential
Local display	Without
Sale per indivisible quantity	1

### Complementary

Adjustable range of switching point on falling pressure	0.3...10.3 bar
Adjustment range high setting	1.3...12 bar
Possible differential minimum at low setting	1 bar
Possible differential minimum at high setting	1.7 bar
Possible differential maximum at high setting	8.4 bar
Destruction pressure	30 bar
Type of decompression valve	Straight valve olive connection
Control type	ON/OFF knob

<b>Terminal block type</b>	4 terminals
<b>Pressure actuator</b>	Diaphragm
<b>Materials in contact with fluid</b>	Chromated zinc alloy Canvas covered nitrile
<b>Enclosure material</b>	PA impregnated with fibreglass
<b>Operating position</b>	Any position
<b>Maximum operating rate</b>	10 cyc/mn
<b>Repeat accuracy</b>	3.5 %
<b>[Ui] rated insulation voltage</b>	500 V conforming to EN/IEC 60947-1
<b>[Uimp] rated impulse withstand voltage</b>	6 kV conforming to EN/IEC 60947-1
<b>Maximum resistance across terminals</b>	25 MOhm conforming to IEC 60255-7 category 3 25 MOhm conforming to NF C 93-050 method A
<b>Electrical durability</b>	1000000 cycles 1.5 kW, operating rate <10 cyc/mn, load factor: 0.4, 400 V AC 3 phases 500000 cycles 3 kW, operating rate <10 cyc/mn, load factor: 0.4, 400 V AC 3 phases 600000 cycles 1.5 kW, operating rate <10 cyc/mn, load factor: 0.4, 230 V AC 3 phases 700000 cycles 2.2 kW, operating rate <10 cyc/mn, load factor: 0.4, 400 V AC 3 phases
<b>Mechanical durability</b>	1000000 cycles
<b>Setting</b>	Nut
<b>Net weight</b>	0.45 kg
<b>Terminals description ISO n°1</b>	(1-2)NC (3-4)NC
<b>Depth</b>	98 mm
<b>Height</b>	138 mm
<b>Width</b>	57 mm

## Environment

<b>Product certifications</b>	EAC
<b>Standards</b>	EN/IEC 60947-4-1 CE
<b>Ambient air temperature for operation</b>	-25...70 °C
<b>Ambient air temperature for storage</b>	-40...70 °C
<b>Vibration resistance</b>	3 gn conforming to IEC 60068-2-6 (f = 10...500 Hz)
<b>Shock resistance</b>	50 gn conforming to IEC 60068-2-27
<b>Electrical shock protection class</b>	Class I conforming to IEC 60536
<b>IP degree of protection</b>	IP65 conforming to EN/IEC 60529

## Packing Units

<b>Unit Type of Package 1</b>	PCE
<b>Number of Units in Package 1</b>	1
<b>Package 1 Weight</b>	541.0 g
<b>Package 1 Height</b>	6.0 cm
<b>Package 1 width</b>	17.0 cm
<b>Package 1 Length</b>	11.5 cm
<b>Unit Type of Package 2</b>	S02
<b>Number of Units in Package 2</b>	8

Package 2 Weight	4.637 kg
Package 2 Height	15.0 cm
Package 2 width	30.0 cm
Package 2 Length	40.0 cm

## Offer Sustainability

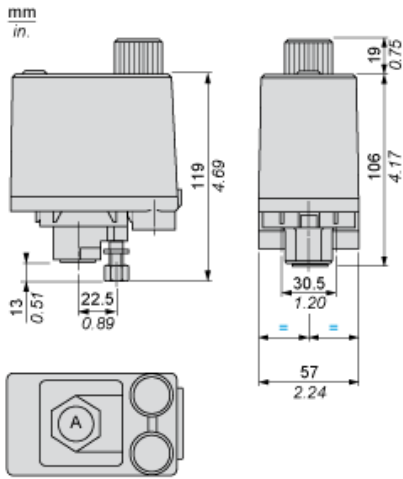
Sustainable offer status	Green Premium product
REACH Regulation	<a href="#">REACH Declaration</a>
EU RoHS Directive	Pro-active compliance (Product out of EU RoHS legal scope) <a href="#">EU RoHS Declaration</a>
Mercury free	Yes
RoHS exemption information	<a href="#">Yes</a>
Environmental Disclosure	<a href="#">Product Environmental Profile</a>
California proposition 65	WARNING: This product can expose you to chemicals including: Diisononyl phthalate (DINP), which is known to the State of California to cause cancer, and Di-isodecyl phthalate (DIDP), which is known to the State of California to cause birth defects or other reproductive harm. For more information go to <a href="http://www.P65Warnings.ca.gov">www.P65Warnings.ca.gov</a>

## Contractual warranty

Warranty	18 months
----------	-----------

Dimensions

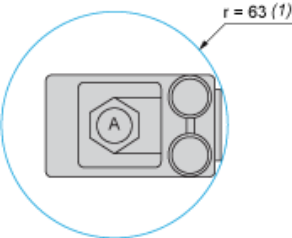
With Straight, Olive Connection, Decompression Valve



ØA = G 1/4  
(1) 2 tapped entries for Pg 13.5

**Minimum Mounting Clearance**

---

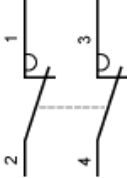


**ØA =** G1/4  
**(1)** Minimum clearance zone for screwing-on pressure switch at point A

**Wiring Diagram**

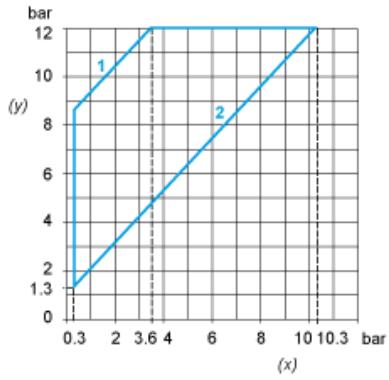
---

**Terminal Connections**

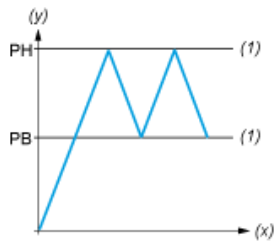


**Curves**

**Operating Curves**



- (y) Rising pressure
- (x) Falling pressure
- 1 : Maximum differential
- 2 : Minimum differential



- (y) Pressure
- (x) Time
- (1) Adjustable value
- PH : High point
- PB : Below point