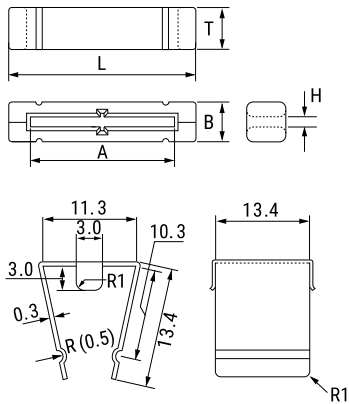


**KEMET Part Number: ESD-FPD-34**  
(UECESDFPD34000)

KEMET, ESD-FPD, EMI Cores, Noise Suppression



Dimensions	
L	60mm +/-1mm
T	12.7mm +/-1mm
H	10mm +/-2mm
A	48.3mm +/-1mm
B	2mm +/-1mm

Packaging Specifications	
Packaging:	Tray, Box
Packaging Quantity:	250
Weight:	32.28 g

General Information	
Series:	ESD-FPD
Style:	Flat - Split
Cable Type:	Flat Cable
Description:	EMI Core Split, For Flat Cables With Metal Clamp
Features:	Stainless Steel Clamp
RoHS:	Yes
Applicable Cable:	34 Core
Materials:	Ni-Zn

Specifications	
Temperature Range:	-25/+85°C
Effective Frequency:	300 MHz (FM Band Range)