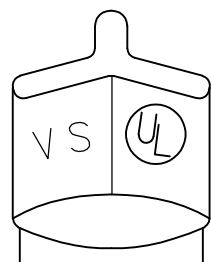
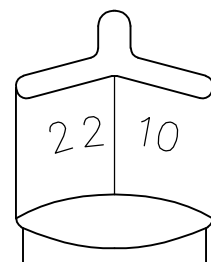
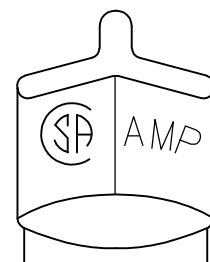


THIS DRAWING IS UNPUBLISHED. RELEASED FOR PUBLICATION  
 © COPYRIGHT - By - ALL RIGHTS RESERVED.

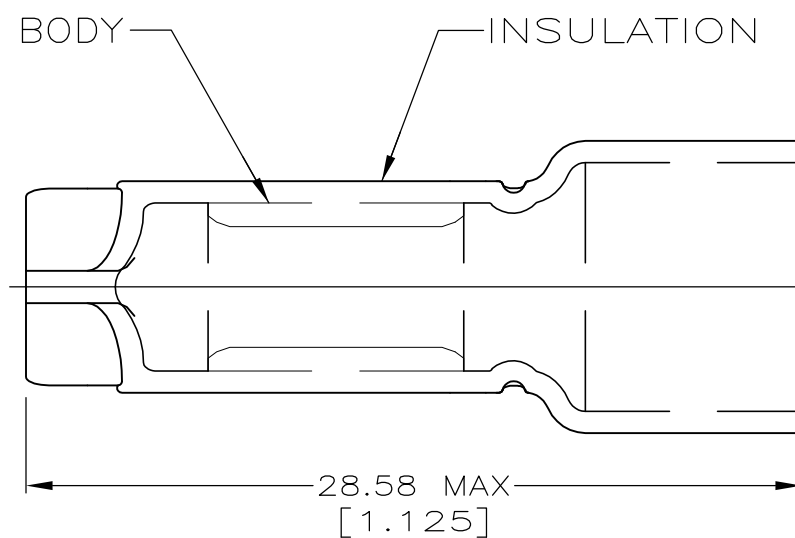
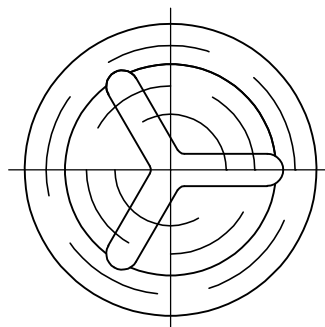
LOC	DIST	REVISIONS					
		P	LTR	DESCRIPTION	DATE	DWN	APVD
G	14		R1	REVISED PER ECO-11-004917	11MAR11	RK	HMR



STAMPING DETAIL

- 1 FOR 7.92 [.312] MAX WIRE INSULATION DIA
- 2 SUPEREDED BY 36965
- 3 MATERIAL: BODY; COPPER PER ASTM B152 INSULATION; PVC COLOR; PURPLE
- 4 FINISH: BODY; TIN PLATE PER ASTM B-545

<b>AMP</b> WIRE RANGE	Listed	LR7189 Certified
22-10 AWG SOLID OR STRANDED	22-10 AWG SOLID OR STRANDED	22-10 AWG SOLID OR STRANDED



100	LOOSE PC,BOX SPL	8-36965-5
100	LOOSE PC,BOX	8-36965-1
10,000	BOXED	1-36965-3
1,500	TAPE MOUNTED	1-36965-1
-	LOOSE PIECE	36965
QTY	DESCRIPTION	PART NO

<b>AMP INCORPORATED CUSTOMER SERVICE SYSTEMS</b>	
FOR ADDITIONAL PRODUCT INFORMATION OR COPIES OF DRAWINGS AND TECHNICAL DOCUMENTS	PRODUCT INFORMATION CENTER 1-800-522-6752
FOR APPLICATION TOOLING INFORMATION	TOOLING ASSISTANCE CENTER 1-800-722-1111
FOR ORDER ENTRY	1-800-526-5142

MAX RECOMMENDED OPERATING TEMPERATURE: 90° C MAX
VOLTAGE RATING: 300V MAX
CIRCULAR MIL AREA: 1.65-6.64mm <sup>2</sup> [3248-13100] SOLID OR STRANDED

THIS DRAWING IS A CONTROLLED DOCUMENT.	
DIMENSIONS: INCHES	TOLERANCES UNLESS OTHERWISE SPECIFIED:
	0 PLC ± - 1 PLC ± - 2 PLC ± 0.20[.008] 3 PLC ± - 4 PLC ± - ANGLES ± -
MATERIAL	FINISH

DWN G KRUPER 1/93	TE Connectivity
CHK R HERSEY 1/93	
APVD M ELLIS 1/93	
PRODUCT SPEC - APPLICATION SPEC -	
NAME SPLICE, WIRE, CLOSED END	RESTRICTED TO -
SIZE A3	CAGE CODE 00779
DRAWING NO C-36965	SCALE 4:1
CUSTOMER DRAWING	SHEET 1 OF 1
REV R1	