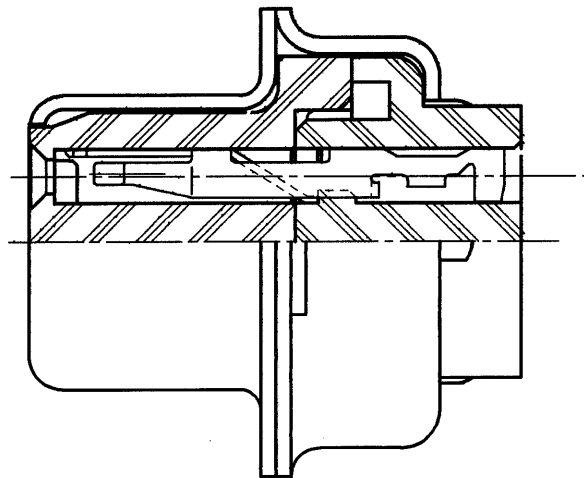
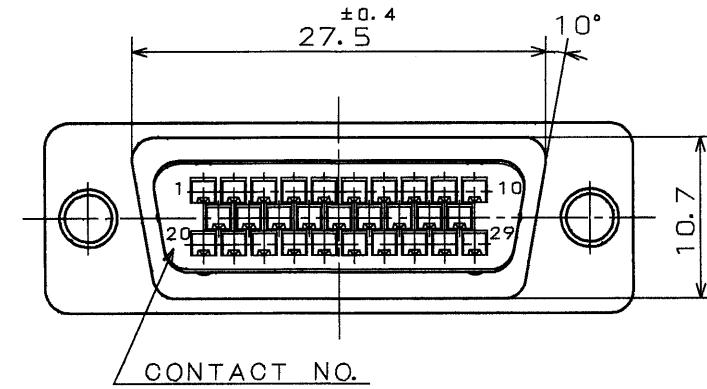
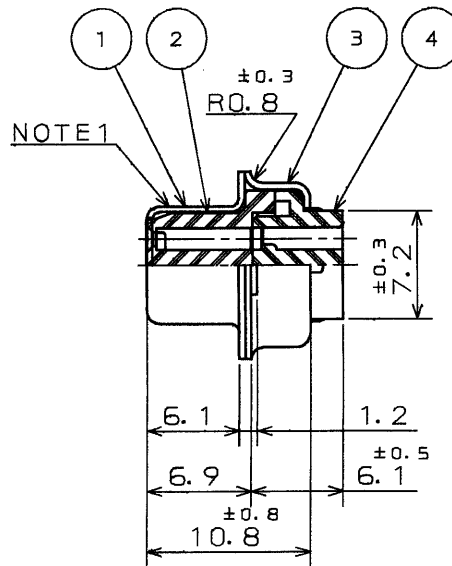
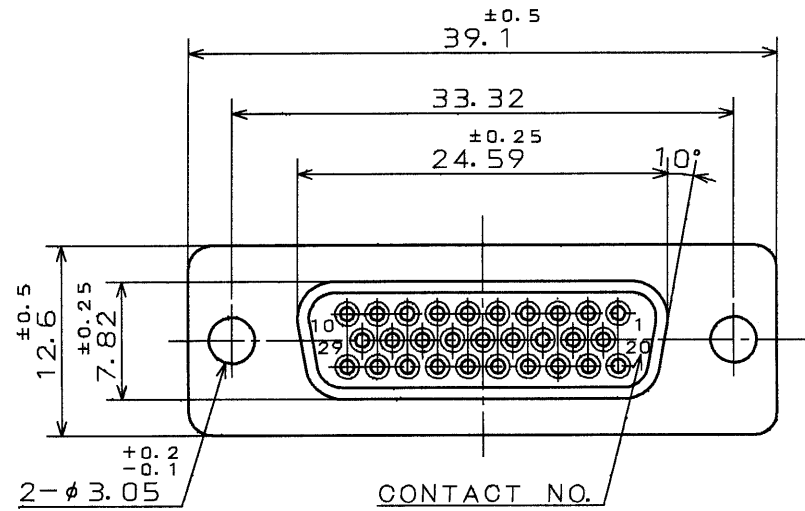


SJ024082-E

DWG. NO.

SYM	DCN NO.	DESCRIPTION	DATE	DRAWN	CHECKED	APP'D	APP'D



CONTACT INSERTED

- NOTE 1. MARKS "JAE" & PART NO. ARE SHOWN ON THIS PORTION.  
 "-FO" IS NOT MARKED ON CONNECTOR.  
 2. FOR CONTACT ARRANGEMENTS SEE DWG. SJ017233.  
 3. FOR PANEL COTOUT DIMENSIONS SEE DWG. SJ013596.  
 4. CONTACT TO BE ORDERED SEPARATELY.

ITEM	DESCRIPTION	Q'TY	MATERIAL	FINISH	REMARKS
4	REAR INSULATOR	1	GLASS FILLED NYLON	(COLOR:BLACK)	UL94 V-0
3	REAR SHELL	1	STEEL	NICKEL PLATE	
2	FRONT INSULATOR	1	GLASS FILLED NYLON	(COLOR:BLACK)	UL94 V-0
1	FRONT SHELL	1	STEEL	NICKEL PLATE	

REFERENCE DOCUMENT JACS-3050-2	DATE 30. OCT. '90	SCALE 2:1	TITLE D02-29SF-N-F0
MATERIAL	DRAWN H. KATO	JAE-CONNECTOR.COM Reference Only	
TREATMENT	CHECKED Y. OTSUKA	MUSASHINO, AKISHIMA-SHI TOKYO, JAPAN	
FINISH	APP'D <i>Y. NISHINO</i>	SERIES D02	DWG. NO. SJ024082-E

DIMENSIONS ARE IN MILLIMETERS TOLERANCES ON: (INCHES)	
DIMENSION	ANGLES
. ±	X° ± 1°
.X ± 0.4	X°X' ±
.XX ± 0.13	CONCENTRICITY
.XXX ±	WITHIN T. I. R.

DOF-115A



CDS-89-51043  
SIZE A3