

# Cabinets – Accessories

## 19" front panels

There are three versions available

- 19" front panels (handles 2, 3 and 7 can be mounted)
- 19" blank panels
- 19" vented front panels

## 19" front panels

- The 19" front panels have additional holes for fitting handles

### Delivery comprises (kit)

Item	Qty	Description
1	1	19" front panel, aluminium, please order assembly part kit separately

### Order Information

Height	H	D	E	Front panels, 4 mm thick, anodised	Front panels, 3 mm thick, anodised, cut edge, clean
U	mm	mm	mm	Order no.	Order no.
1	43.6	31.7	25	<b>40304-050</b>	<b>30219-161</b>
2	88.1	76.2	55	<b>40304-051</b>	<b>30219-162</b>
3	132.5	57.1	88	<b>40304-052</b>	<b>30219-163</b>
4	177	101.6	120	<b>40304-053</b>	<b>30219-164</b>
5	221.4	146	180	<b>40304-054</b>	<b>30219-165</b>
6	265.9	190.4	180	<b>40304-055</b>	<b>30219-166</b>



For further information [www.schroff.biz/oneClick](http://www.schroff.biz/oneClick)  
oneClick code = Order no.

## Front handle '2'

- Mounting on the front panel
- Load-carrying capacity 30 kg

### Delivery comprises (kit)

Item	Qty	Description
1	1	Front handle, anodised aluminium extrusion

### Order Information

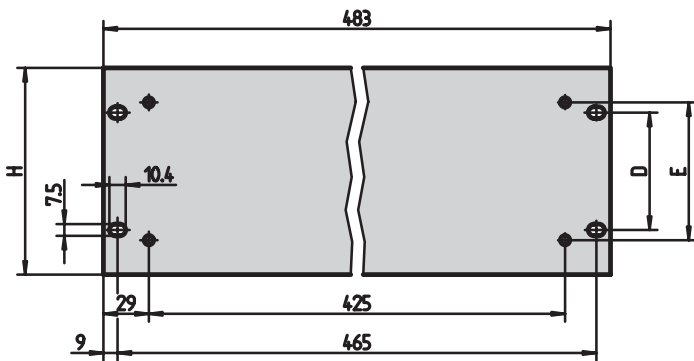
Height	Order no.
U	
1	<b>10501-116</b>

### Note

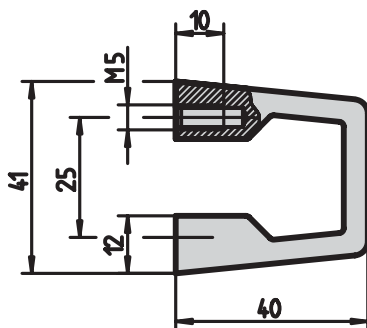
- Please order assembly part kit separately.



For further information [www.schroff.biz/oneClick](http://www.schroff.biz/oneClick)  
oneClick code = Order no.



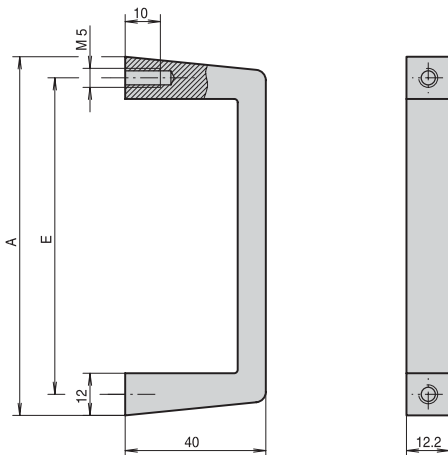
BZA42371



BZA42316

## Cabinets – Accessories

### Front handle '3' for 19" front panels



BZA42327

- Load-carrying capacity 30 kg

#### Delivery comprises (kit)

Item	Qty	Description
1	1	Front handle, anodised aluminium extrusion

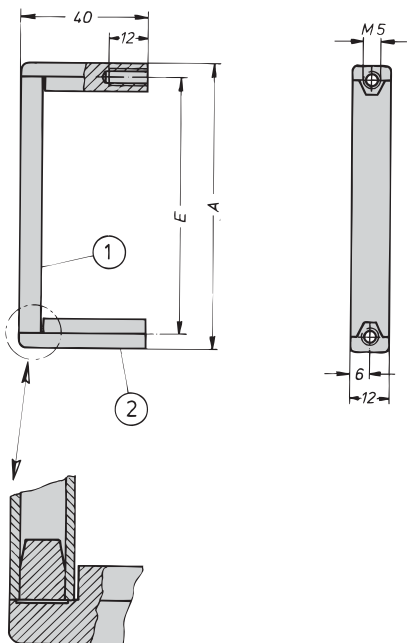
#### Order Information

Height U	A mm	E mm	Order no.
2	69	55	<b>10501-004</b>
3	102	88	<b>10501-005</b>
4	132	120	<b>10501-006</b>
6	194	180	<b>10501-007</b>



For further information [www.schroff.biz/oneClick](http://www.schroff.biz/oneClick)  
oneClick code = Order no.

### Front handle '7' for 19" front panels



A3-227

- Front handle 7, in three parts, middle section made of aluminium extrusion, end feet made of fibreglass reinforced plastic

- Load-carrying capacity 10 kg

#### Delivery comprises (kit)

Item	Qty	Description
1	1	Front handle, anodised aluminium extrusion
2	2	End piece, PA, black

#### Order Information

Height U	A mm	E mm	Order no.
3	102	88	<b>10502-057</b>
4	132.5	120	<b>10502-059</b>
6	194	180	<b>10502-063</b>

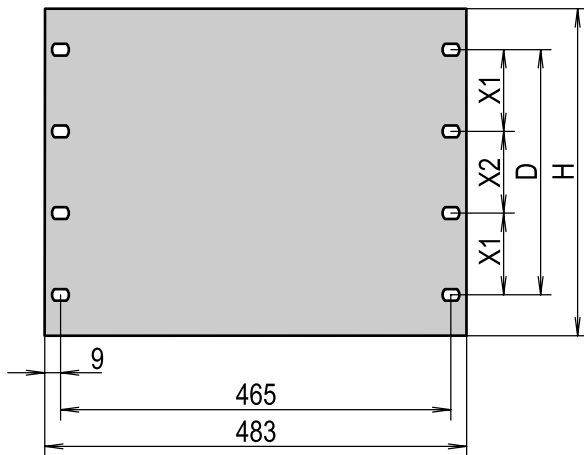


For further information [www.schroff.biz/oneClick](http://www.schroff.biz/oneClick)  
oneClick code = Order no.



## Cabinets – Accessories

### 19" blank panels



5ZA42889

- 19" blank panels, 4 mm thick
- 19" blank panels, 3 mm thick

#### Delivery comprises

Item	Qty	Description
1	1	19" blank panel, aluminium

#### Order Information

Height	H	D	X1	X2	3 mm thick, RAL 7035	3 mm thick, anodised,	4 mm thick, anodised
					light grey	cut edges plain	
U	mm	mm	mm	mm	Order no.	Order no.	Order no.
1	43.6	31.7	–	–	<b>30118-299</b>	<b>30219-098</b>	<b>40304-074</b>
2	88.1	76.2	–	–	<b>30118-301</b>	<b>30219-101</b>	<b>40304-075</b>
3	132.5	57.1	–	–	<b>30118-302</b>	<b>30219-104</b>	<b>40304-076</b>
4	177	101.6	–	–	<b>30118-303</b>	<b>30219-107</b>	<b>40304-077</b>
5	221.4	146	–	–	<b>30118-304</b>	<b>30219-110</b>	<b>40304-078</b>
6	265.9	190.4	–	–	<b>30118-305</b>	<b>30219-113</b>	<b>40304-079</b>
7	310.3	234.9	–	–	<b>30118-306</b>	<b>30219-137</b>	<b>40304-080</b>
8	354.8	279.4	–	–	<b>30118-307</b>	<b>30219-138</b>	<b>40304-081</b>
9	399.2	323.8	101.6	120.6	<b>30118-308</b>	<b>30219-143</b>	<b>40304-082</b>
10	443.7	368.3	101.6	165.1	<b>30118-309</b>	<b>30219-144</b>	<b>40304-083</b>
12	532.6	457.1	133.3	190.5	<b>30118-311</b>	–	<b>40304-085</b>

- Assembly kit, see chapter 'Plug-in units - assembly kit'

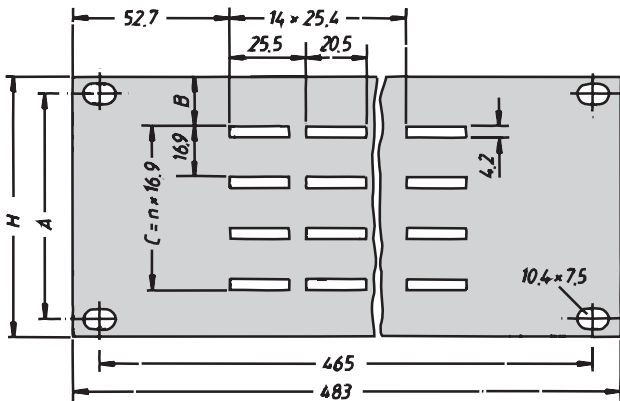


For further information [www.schroff.biz/oneClick](http://www.schroff.biz/oneClick)  
oneClick code = Order no.



## Cabinets - Accessories

### 19" vented front panels



KA704

#### Delivery comprises

Item	Qty	Description
1	1	19" vented front panel, 2.5 mm aluminium

#### Order Information

Height H	A	B	C	AI	RAL 7035 light grey	Anodised	
U	mm	mm	mm	mm	Order no.	Order no.	Order no.
1	43.6	31.7	11.2	16.9	<b>30702-044</b>	<b>30702-056</b>	<b>30702-047</b>
2	88.1	76.2	16.6	50.7	<b>30702-045</b>	<b>30702-057</b>	<b>30702-048</b>
3	132.5	57.1	13.5	101.4	<b>30702-046</b>	<b>30702-058</b>	<b>30702-049</b>

#### Note

- Please order mounting parts kit separately.



For further information [www.schroff.biz/oneClick](http://www.schroff.biz/oneClick)  
oneClick code = Order no.

### 19" vented front grille, 2 U

#### Delivery comprises (kit)

Item	Qty	Description
1	1	Front grille, Noryl SE-0, black
2	1	Filter, Viledon ZSB 145
3	1	Support plate, 1 mm steel, aluminium sprayed
4	1	Assembly kit

#### Order Information

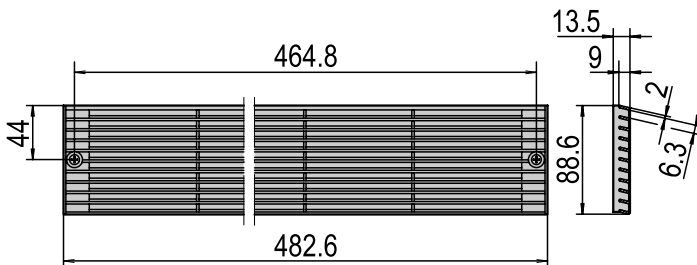
Description	Order no.
19" vented front grille, 2 U	<b>60715-049</b>
Replacement filter 1 kit (3 piece)	<b>60715-050</b>

#### Note

- The design of the grille matches the 19" blower units



For further information [www.schroff.biz/oneClick](http://www.schroff.biz/oneClick)  
oneClick code = Order no.



BZA42373



# Cabinets – Accessories

## 19" drawer



00598002

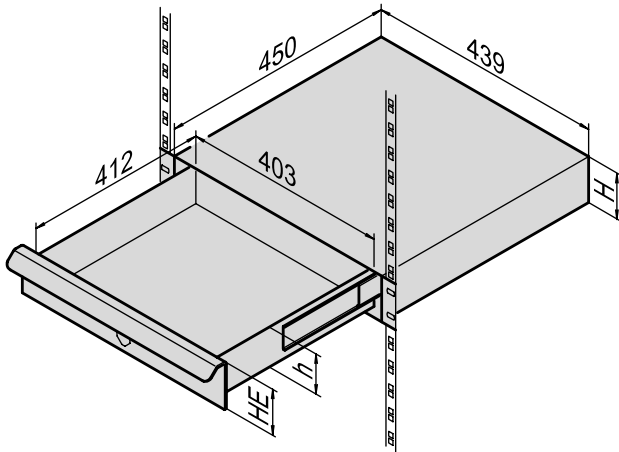
- The writing surface matches any height
- The attached writing surface can be lifted up when the drawer is open.
- Maximum load-carrying capacity 15 kg

### Delivery comprises (assembled)

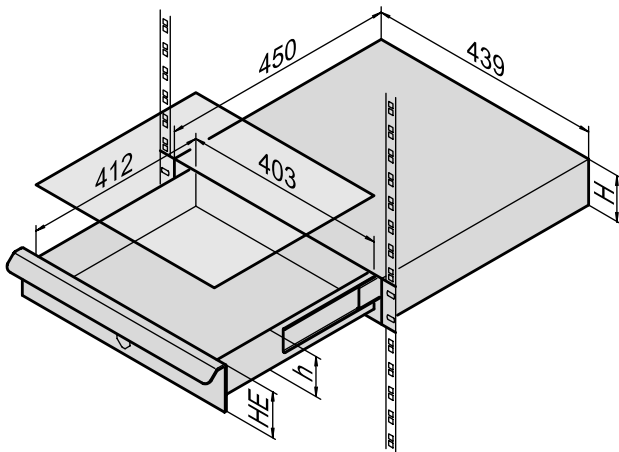
Item	Qty	Description
1	1	19" drawer incl. body tube, front panel and telescopic slides, 1 mm steel, RAL 7035 light grey

### Order Information

Height H	Height h	Front panel anodised	Front panel RAL 7035 light grey
<b>U</b>	<b>mm</b>	<b>Order no.</b>	<b>Order no.</b>
1	41.6	<b>20110-061</b>	<b>20110-054</b>
2	86	<b>20110-062</b>	<b>20110-055</b>
3	130.5	<b>20110-063</b>	<b>20110-056</b>
<b>Writing surface complete, 1 mm steel, RAL 7035 light grey</b>			<b>20110-060</b>



SZA44206



SZA46122



For further information [www.schroff.biz/oneClick](http://www.schroff.biz/oneClick)  
oneClick code = Order no.



## Cabinets – Accessories

### 19" keyboard chassis 1 U

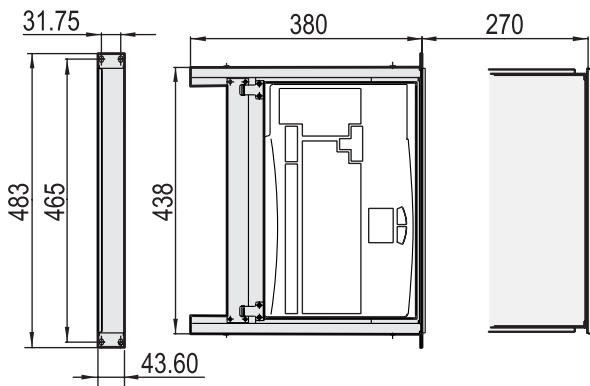


0050002

- Incl. integrated 19" keyboard (function keys, number pad, mouse pad)
- 1 U high, 483 wide and 380 deep
- Telescopic keyboard chassis can be drawn out to 270 mm
- Front panel in RAL 7035 light grey
- Adapters for PC2 or IBM PC/AT are included.

#### Delivery comprises (kit)

Item	Qty	Description
1	1	Keyboard chassis, including keyboard and mouse pad



60118327

#### Order Information

Height U	Width mm	Length mm	Description	Order no.
1	483	380	German keyboard layout	<b>60118-327</b>
1	483	380	English/US keyboard layout	<b>60118-376</b>
1	483	380	French keyboard layout	<b>60118-377</b>

### 19" keyboard chassis, 2 U



005002

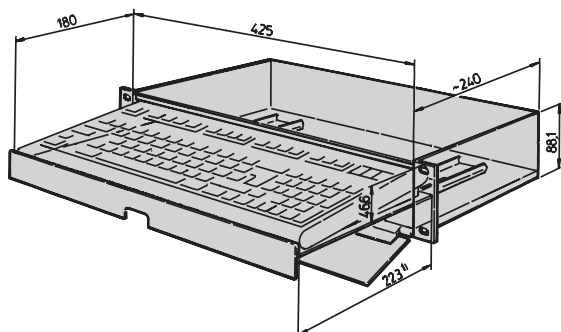
- For rack-mounting and 19" case
- IP 40 in closed state
- Anodised hinged front panel
- For keyboards up to 425 mm wide, 210 mm deep, 45 mm high
- All parts conductively connected

#### Delivery comprises

Item	Qty	Description
1	1	Keyboard chassis with hinged front panel, aluminium (including lock mechanism)
2	2	Telescopic slide rail, zinc-plated steel
3	1	Keyboard chassis, 2.5 mm steel, RAL 7030
4	2	Horizontal rail at the front, aluminium extrusion, anodised

#### Order Information

Description	Order no.
19" keyboard chassis, 2 U	<b>10822-009</b>
Lock for 19" keyboard chassis 1 × lock, including 2 keys	<b>60126-118</b>



A41263



For further information [www.schroff.biz/oneClick](http://www.schroff.biz/oneClick)  
oneClick code = Order no.



## Cabinets – Accessories

### 19" writing top



00592010

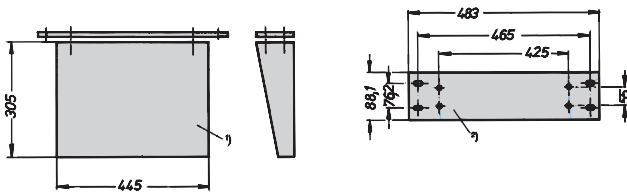
- Can be mounted in all 19" cabinets
- The space requirement (height) is 2 U = 88 mm

#### Delivery comprises (kit)

Item	Qty	Description
1	1	19" writing top, 1 mm steel, RAL 7030 dark grey, including assembly parts; Please order front panels separately
2	1	Front panel, Al 4 mm, anodised

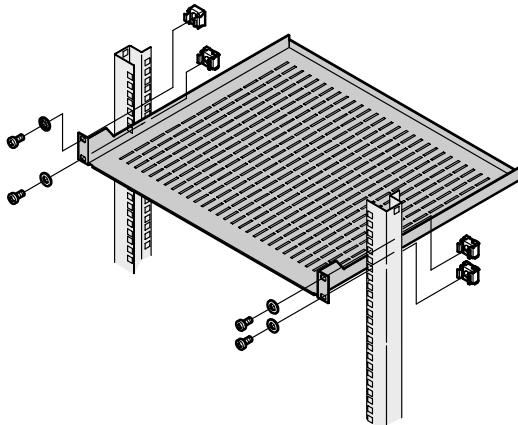
#### Order Information

Description	Order no.
19" writing top	<b>10110-002</b>
19" front panels 2 U for 19" writing top	<b>40304-051</b>



A331

### 19" equipment support, load-carrying capacity 5 kg



SZA46421

- For assembly on 19" profiles
- Mounting height: 1 U, Surface area b x t: 447 x 390 mm

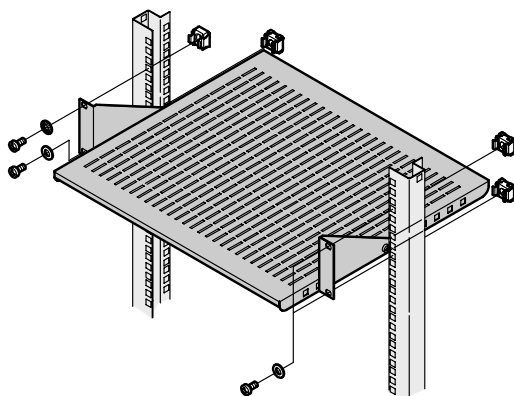
#### Delivery comprises

Item	Qty	Description
1	1	Equipment support, 1.5 mm steel, including GND/earthing, RAL 7035 light grey
2	1	Assembly kit

#### Order Information

Type	Order no.
19" equipment support, load-carrying capacity 5 kg	<b>20118-004</b>

### 19" equipment support, load-carrying capacity 15 kg



SZA46303

- For assembly on 19" profiles
- Mounting height: 2 U, protrusion at the front: min. 26 mm
- Depth-adjustable in the 25 mm pitch

#### Delivery comprises

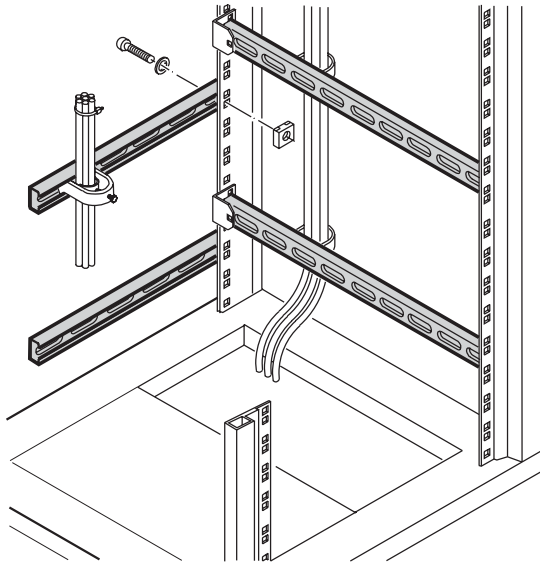
Item	Qty	Description
1	1	Equipment support, 1.5 mm steel, RAL 7035
2	2	Mounting bracket, 1.5 mm steel, RAL 7035
3	1	Assembly kit

#### Order Information

Max. usable surface B x T mm	Order no.
430 x 400	<b>20234-185</b>
430 x 300	<b>20118-588</b>
430 x 250	<b>20118-589</b>

## Cabinets – Accessories

### Universal mounting system C-rails



ERTP0020

The mounting system allows assembly in both the horizontal and vertical mounting planes. Through the use of slide nuts, C-rails can be positioned with unlimited variation.

Cable shells can be mounted directly on the C-rails.

### C-rails

#### Delivery comprises (kit)

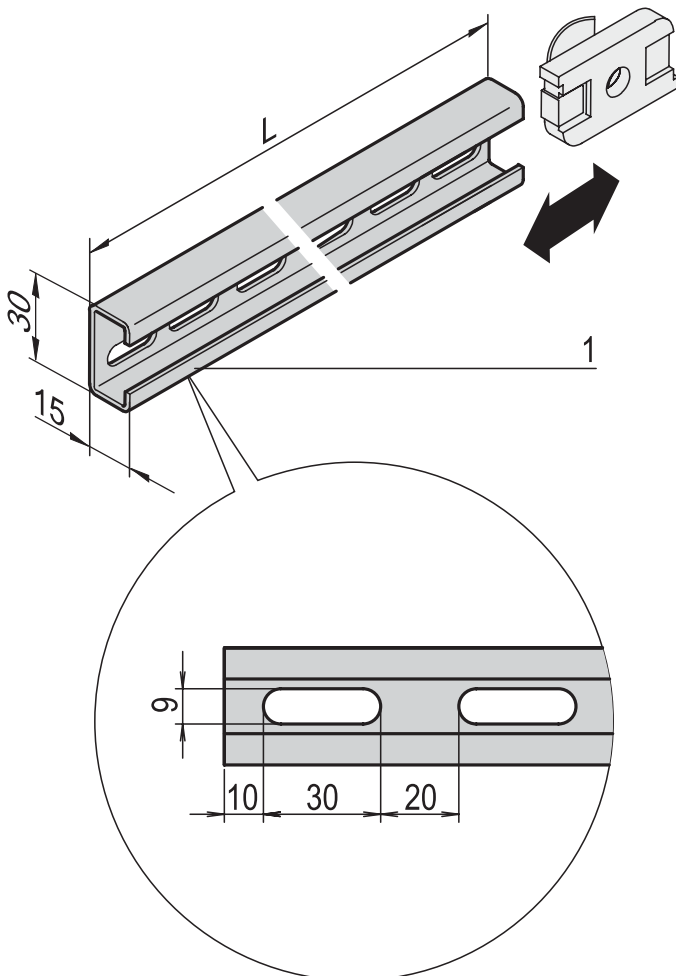
Item	Qty	Description
1	4	C-rail, 1.5 mm steel, zinc-plated yellow, please order assembly parts separately

#### Order Information

Cabinet dimensions width/depth	For cabinet height	L	Order no.
mm	mm	mm	
400 / 400	–	250	<b>22114-454</b>
600 / 600	–	450	<b>22114-455</b>
700 / 700	–	550	<b>22114-456</b>
800 / 800	–	650	<b>22114-457</b>
900 / 900	–	750	<b>22114-458</b>
1200 / 1200	–	1050	<b>22114-459</b>
–	1600	1500	<b>22114-460</b>
–	1800	1650	<b>22114-461</b>
–	2000	1900	<b>22114-462</b>



For further information [www.schroff.biz/oneClick](http://www.schroff.biz/oneClick)  
oneClick code = Order no.



ERTP0021

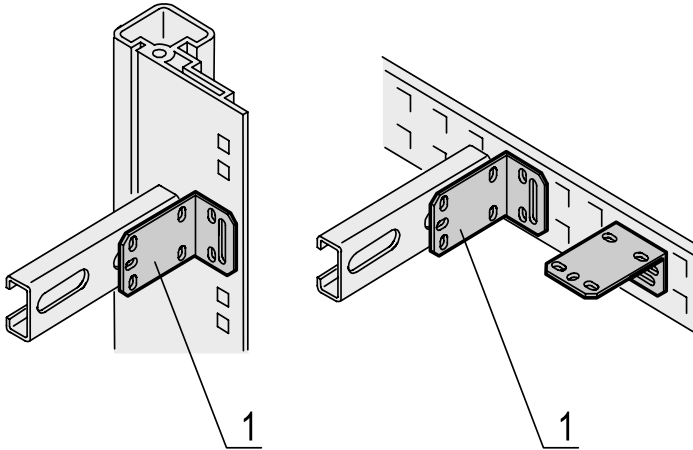




## Cabinets – Accessories

### Mounting bracket

Cabinet upright assembly, depth member assembly



ERTP00222

- Assembly of C-rail in the grid holes of the cabinet upright or depth member

#### Delivery comprises

Item	Qty	Description
1	6	Assembly bracket, 2.5 mm steel, zinc-plated, yellow; set is sufficient for 2 vertical central rails

#### Order Information

Description	Order no.
Mounting bracket	<b>22114-452</b>



For further information [www.schroff.biz/oneClick](http://www.schroff.biz/oneClick)  
oneClick code = Order no.

### Combination bracket

- For connecting two C-rails

#### Delivery comprises

Item	Qty	Description
2	4	Combination bracket, Steel 2.5 mm, zinc-plated yellow

#### Order Information

Description	Qty	Order no.
Combination bracket	4	<b>22114-451</b>



For further information [www.schroff.biz/oneClick](http://www.schroff.biz/oneClick)  
oneClick code = Order no.

ERTP0024

### L bracket

- For stub and corner connection of two central rails.

#### Delivery comprises

Item	Qty	Description
1	4	L bracket, 2.5 mm steel, zinc-plated yellow, 1 kit contains two right-hand and left-hand brackets

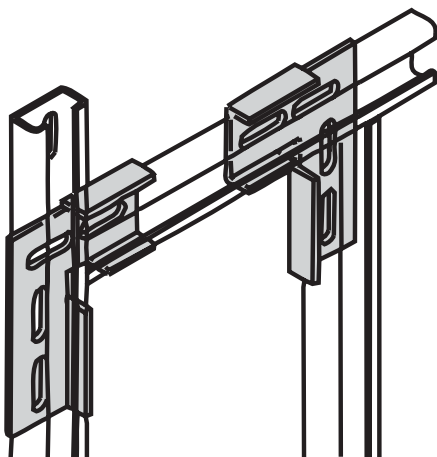
#### Order Information

Description	Qty	Order no.
L bracket	4	<b>22114-453</b>



For further information [www.schroff.biz/oneClick](http://www.schroff.biz/oneClick)  
oneClick code = Order no.

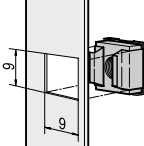
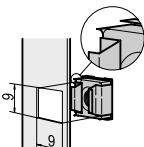
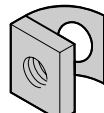
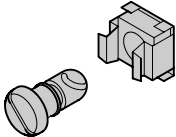
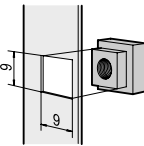
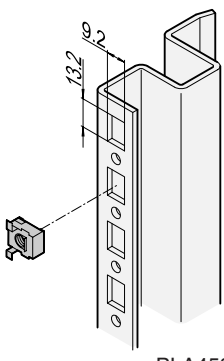
ERTP024a



# Cabinets – Accessories

## Mounting parts

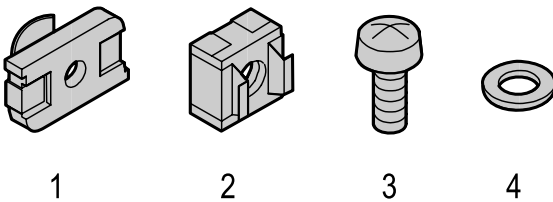
### Order Information

	Type	Application	Finish	Qty	Order no.
 BZA42733	Cage nut M4	19" subracks, 19" front panels	Zinc-plated	100	<b>21100-002</b>
	Cage nut M5	19" subracks, 19" front panels	Zinc-plated	100	<b>21100-216</b>
	Cage nut M6	19" subracks, 19" front panels	Zinc-plated	100	<b>21100-004</b>
 BZA42734	Cage nut M4 with GND/earthing claws	19" front panels	Zinc-plated	10	<b>21100-099</b>
	Cage nut M6 with GND/earthing claws	19" front panels	Zinc-plated	100	<b>21100-100</b>
	Cage nut M6 with GND/earthing claws	19" front panels	Zinc-plated	10	<b>21100-101</b>
	Cage nut M6 with GND/earthing claws	19" front panels	Zinc-plated	100	<b>21100-102</b>
 AZA43431	Slide nut	Front panel assembly	Nickel-plated	100	<b>21101-250</b>
 AZA45325	Quick-release fastener	19" front panels, 19" subracks	Zinc-plated cage, nickel-plated pin	10	<b>21100-343</b>
 BZA42735	Square nut M6	Depth members, 19" panel mounts	Steel, zinc-plated	100	<b>21101-007</b>
 PLA45314	Rectangular cage nuts without GND/earthing	Panel/slide mount, Depth member, Swing frame, Frame accessories, Frame-PROLINE	Yellow chromated	100	<b>21101-607</b>
	Rectangular cage nuts with GND/earthing	Panel/slide mount, Depth member, Swing frame, Frame accessories	Yellow chromated	100	<b>21101-608</b>

## Cabinets – Accessories

	Type	Application	Finish	Qty	Order no.
 AZA45176	Pan head screw M6 x 16	19" front panels	Zinc-plated	100	<b>21101-863</b>
 AZA43238	Plastic washer, black	19" subracks, 19" front panels	Black	100	<b>21100-016</b>
 AZA45178	Flat without bevel DIN 125	19" front panels	Nickel-plated	100	<b>21100-008</b>
 KA-944	Socket cap head screw, washers, clamping plate, Nomel washer	Earthing	Zinc-plated	10	<b>21100-097</b>

### Assembly kit



#### Delivery comprises

Item	Qty	Description
1	25	Slide nut M6, zinc-plated steel
2	12	Cage nut M6, zinc-plated steel
3	37	Screw M6 x 12, zinc-plated steel
4	37	Washer 6.4, zinc-plated steel

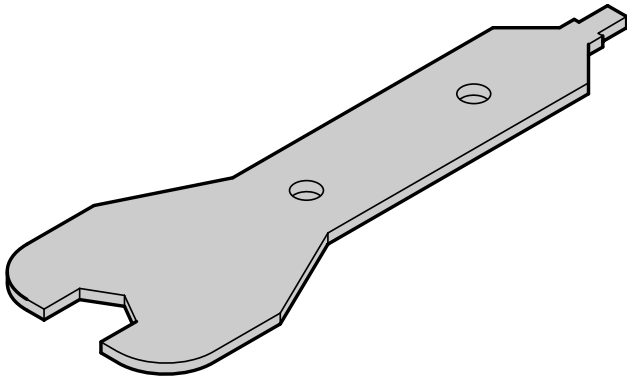
#### Order Information

Description	Order no.
Mounting parts	<b>21101-126</b>

ERTP0023

## Cabinets – Accessories

### Mounting aid for PROLINE cage nuts

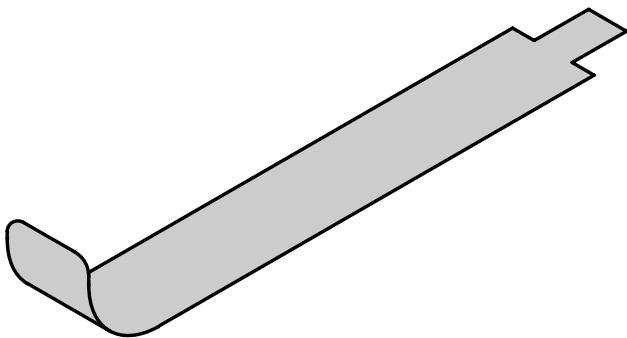


SZA45985

#### Order Information

Description	Qty	Order no.
Mounting aid for PROLINE cage nuts	1	<b>21127-990</b>

### Mounting aid for other cage nuts

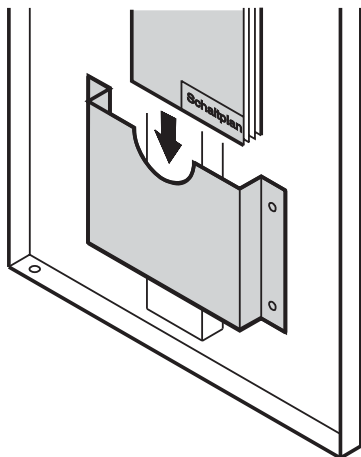


SZA45984

#### Order Information

Description	Qty	Order no.
Mounting aid for other cage nuts	1	<b>21127-991</b>

### Document pocket



SC112

- For storage of documents and circuit diagrams
- The steel version takes account of a 13 mm high reinforcement profile welded on the inside of the doors (e.g. doors for euro-rack)
- All versions are mounted with double-sided adhesive tape

#### Delivery comprises

Item	Qty	Description
1	1	Document pocket
2	1	Adhesive tape

#### Order Information

Type	Dimensions H x W x D mm	Order no.
Steel for A4, orange, RAL 2000	180 x 336 x 34	<b>21126-271</b>
Plastic for A5, grey	145 x 259 x 21	<b>60100-339</b>
Plastic for A4, grey	195 x 356 x 21	<b>60100-302</b>



For further information [www.schroff.biz/oneClick](http://www.schroff.biz/oneClick)  
oneClick code = Order no.

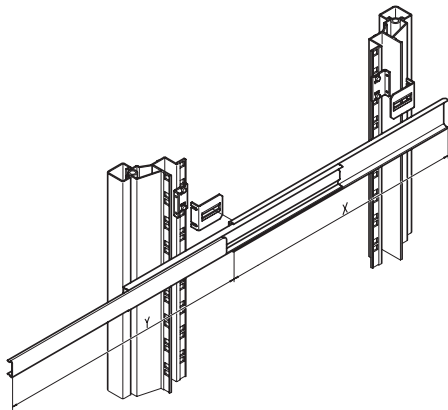


# Cabinets – Accessories

## Telescopic slides



00592011



SZA44305

X = length of the fixed telescopic section  
Y = extension length of the telescopic slide rail

### Order Information

			Type 3307 DZ	Type 215	Type 5321 GC	Type 311 L	Type 310 L	Type 110 QD	Type 375 QD
			54 - 68 kg	25 - 45 kg	100 kg	31 - 54 kg	45 - 61 kg	45 - 56 kg	35 kg
For minimum subrack height U			2	1	2	1	2	2	1
Application	For cabinet depth mm	For useful cabinet depth mm	Order no.	Order no.	Order no.	Order no.	Order no.	Order no.	Order no.
eurorack, PRO-LINE with 19" panel mounts	600	480	69000-283	69000-274	69000-076	69000-737	69000-744	69000-123	69000-540
	800	680	69000-287	69000-278	69000-080	69000-722	69000-748	69000-126	69000-544
	900	780	69000-288	-	69000-081	69000-734	69000-749	-	69000-545
minirack	500	406	69000-281	-	69000-074	69000-735	69000-742	69000-121	69000-538
	600	506	69000-283	-	69000-076	69000-737	69000-744	69000-123	69000-540
	780	686	69000-287	69000-278	69000-080	69000-722	69000-748	69000-126	69000-544

### Technical data

Telescopic slide Type	Load-carrying capacity per pair kg	Type/Extension	Stop when fully extended	Can be disconnected	Max. mounting width at 19" mm
3307 DZ	54 - 68	3-piece / 105 %	■	■	424
215	29 - 45	Two-piece / 70 %	-	-	436
5321 GC	100	3-piece / 103 %	-	-	412
310 L	45 - 61	3-piece / 103 %	■	-	418
311 L	31 - 54	Two-piece / 70 %	■	-	426
110 QD	45 - 56	3-piece / 110 %	■	■	431
375 QD	35	3-piece / 105 %	-	■	431

## Cabinets – Accessories

### Universal telescopic slide 3307 DZ



00698001

- 3-part, ball-bearing telescopic slide (105%-extension)
- Load-carrying capacity per pair 54 ... 68 kg
- Mounting width between two rails 414 ... 424 mm
- Can be mounted in U pitch
- Stop
- Can be disconnected

#### Order Information

Load-carrying capacity	Extension length	Length	Qty	Order no.
kg	mm	mm		
68	330	305	1	<b>69000-280</b>
67	381	356	1	<b>69000-281</b>
66	483	457	1	<b>69000-283</b>
58	685	660	1	<b>69000-287</b>
54	737	711	1	<b>69000-288</b>
<b>Mounting bracket</b> 1 kit is sufficient for assembly of 2 telescopic slide rails in Schroff cabinets				<b>21101-372</b>
<b>Mounting parts</b> 1 kit is sufficient for assembly of 2 telescopic slide rails for eurorack, PROLINE				<b>21101-368</b>
<b>Mounting parts</b> 1 kit is sufficient for assembly of 2 telescopic slide rails for minirack, 1 kit				<b>21101-370</b>

### 19" telescopic slide rail 215



00698002

- 2-part, ball-bearing telescopic slide (70%-extension)
- Load-carrying capacity per pair 29 ... 45 kg
- Mounting width between two rails 420 mm
- Can be mounted in U pitch
- Without stop
- Cannot be disconnected

#### Order Information

Load-carrying capacity	Extension length	Length	Qty	Order no.
kg	mm	mm		
45	250	356	1	<b>69000-274</b>
39	330	457	1	<b>69000-276</b>
32	410	559	1	<b>69000-278</b>
29	450	610	1	<b>69000-279</b>
<b>Mounting bracket</b> 1 kit is sufficient for assembly of 2 telescopic slide rails in Schroff cabinets.				<b>21101-589</b>
<b>Mounting parts</b> 1 kit is sufficient for assembly of 2 telescopic slide rails for eurorack, PROLINE				<b>21101-368</b>
<b>Mounting parts</b> 1 kit is sufficient for assembly of 2 telescopic slide rails for minirack, 1 kit				<b>21101-370</b>



For further information [www.schroff.biz/oneClick](http://www.schroff.biz/oneClick)  
oneClick code = Order no.



## Cabinets – Accessories

### Telescopic slide rail for heavy loads Type 5321 GC



00503002

- 3-part, ball-bearing telescopic slide (103% extension), Steel-ball-bearing cage, Damped terminal/end stop
- Load-carrying capacity per pair 100 kg
- Mounting width between two rails 402 ... 412 mm
- Can be mounted in U pitch
- Cannot be disconnected

#### Order Information

Load-carrying capacity	Extension length	Length	Qty	Order no.
kg	mm	mm		
100	373.5	350	1	<b>69000-074</b>
100	473.5	450	1	<b>69000-076</b>
100	573.5	550	1	<b>69000-078</b>
100	673.5	650	1	<b>69000-080</b>
100	723.5	700	1	<b>69000-081</b>
<b>Mounting bracket</b> 1 kit is sufficient for assembly of 2 telescopic slide rails in Schroff cabinets				<b>21101-373</b>
<b>Mounting parts</b> 1 kit is sufficient for 2 telescopic slide rails for eurorack, PROLINE				<b>21101-462</b>
<b>Mounting parts</b> 1 kit is sufficient for 2 telescopic slide rails for minirack				<b>21101-463</b>

### Telescopic slide rail 311 L



006002

- 2-part, ball-bearing telescopic slide (70%-extension)
- Load-carrying capacity per pair 31 ... 54 kg
- Mounting width between two rails 416 ... 426 mm
- Can be mounted in U pitch
- Cannot be disconnected
- Vinyl-ball-bearing cage
- Stop when fully extended

#### Order Information

Load-carrying capacity	Extension length	Length	Qty	Order no.
kg	mm	mm		
54	241	356	1	<b>69000-735</b>
52	267	406	1	<b>69000-736</b>
49	305	457	1	<b>69000-737</b>
36	445	660	1	<b>69000-722</b>
31	483	711	1	<b>69000-734</b>
<b>Mounting bracket</b> 1 kit is sufficient for assembly of 2 telescopic slide rails in Schroff cabinets.				<b>21101-372</b>
<b>Mounting parts</b> 1 kit is sufficient for assembly of 2 telescopic slide rails for eurorack, PROLINE				<b>21101-368</b>
<b>Mounting parts</b> 1 kit is sufficient for assembly of 2 telescopic slide rails for minirack, 1 kit				<b>21101-370</b>

## Cabinets – Accessories

### Telescopic slide rail 310 L



006003

- 3-part, ball-bearing telescopic slide (103% extension)
- Load-carrying capacity per pair 45 ... 61 kg
- Mounting width between two rails 408 ... 418 mm
- Can be mounted in U pitch
- Cannot be disconnected
- Vinyl-ball-bearing cage
- Stop when fully extended

#### Order Information

Load-carrying capacity kg	Extension length mm	Length mm	Qty	Order no.
61	330	305	1	<b>69000-721</b>
59	381	356	1	<b>69000-742</b>
58	432	406	1	<b>69000-743</b>
56	483	457	1	<b>69000-744</b>
54	533	508	1	<b>69000-745</b>
52	584	559	1	<b>69000-746</b>
49	635	610	1	<b>69000-747</b>
47	685	660	1	<b>69000-748</b>
45	737	711	1	<b>69000-749</b>

**Mounting bracket** is sufficient for assembly of 2 telescopic slide rails in Schroff cabinets, for subrack height 2 U, 1 set **21101-372**

**Mounting bracket** is sufficient for assembly of 2 telescopic slide rails in Schroff cabinets, for subrack height > 2 U, 1 set **21101-373**

**Mounting parts** 1 kit is sufficient for assembly of 2 telescopic slide rails for eurorack, PROLINE **21101-368**

**Mounting parts** 1 kit is sufficient for assembly of 2 telescopic slide rails for minirack **21101-370**



For further information [www.schroff.biz/oneClick](http://www.schroff.biz/oneClick)  
oneClick code = Order no.





## Cabinets – Accessories

### Telescopic slide rail 110 QD



006005

- 3-part, ball-bearing telescopic slide (110%-extension)
- Load-carrying capacity per pair 45 ... 56 kg
- Mounting width between two rails 421 ... 431 mm
- Can be mounted in U pitch
- Can be disconnected
- Steel-ball-bearing cage
- Stop when fully extended

#### Order Information

Load-carrying capacity	Extension length	Length	Qty	Order no.
kg	mm	mm		
56	392	356	1	<b>69000-121</b>
54	533	457	1	<b>69000-123</b>
54	584	508	1	<b>69000-124</b>
45	635	559	1	<b>69000-125</b>
45	660	584	1	<b>69000-126</b>

**Mounting bracket** 1 kit is sufficient for assembly of 2 telescopic slide rails in Schroff cabinets **21101-373**

**Mounting parts** 1 kit is sufficient for 2 telescopic slide rails for eurorack, PROLINE **21101-369**

**Mounting parts** 1 kit is sufficient for 2 telescopic slide rails for minirack. **21101-371**

### Telescopic slide rail 375 QD



006004

- 3-part, ball-bearing telescopic slide (105%-extension)
- Load-carrying capacity per pair 35 kg
- Mounting width between two rails 421 ... 431 mm
- Can be mounted in U pitch
- Can be disconnected
- Steel-ball-bearing cage
- Without stop

#### Order Information

Load-carrying capacity	Extension length	Length	Qty	Order no.
kg	mm	mm		
35	379	356	1	<b>69000-538</b>
35	379	457	1	<b>69000-540</b>
35	533	508	1	<b>69000-541</b>
35	632	660	1	<b>69000-544</b>
35	632	711	1	<b>69000-545</b>

**Mounting bracket** 1 kit is sufficient for assembly of 2 telescopic slide rails in Schroff cabinets **21101-372**

**Mounting parts** 1 kit is sufficient for assembly of 2 telescopic slide rails for eurorack, PROLINE **21101-368**

**Mounting parts** 1 kit is sufficient for assembly of 2 telescopic slide rails for minirack, 1 kit **21101-370**

# Cabinets – Accessories

## Cable support



00592015

For neat and tidy cable management onto telescopic units and subracks.

There are two different types available:

■ **Type A**

cable support with return spring for even extension movements, adapted cable ducting for extension length up to approx. 730 mm. Space requirement for retracted state: approx. 25 mm. **Load-carrying capacity:** approx. 2 kg

■ **Type B**

cable support with direct connection to extension part without spring and for extension lengths up to approx. 720 mm. Space requirement in retracted state: approx. 24 mm. The cables must be secured on the support with cable ties. **Load-carrying capacity:** approx. 2 kg



00592016

### Delivery comprises (Kit)

Type	Qty	Description
A	1	Spring-loaded cable support, square steel tube, W 16 mm, zinc-plated (blue), including assembly parts
B	1	Cable support without spring, steel plate 1 mm thick, zinc-plated (blue), including assembly parts

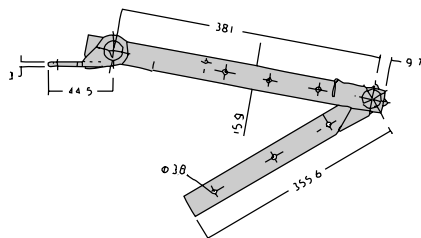
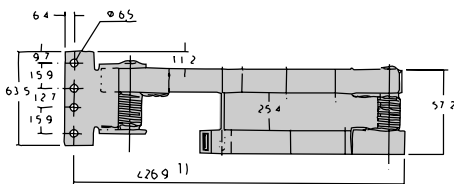
### Order Information

Description	Order no.
Type A	<b>20118-729</b>
Type B	<b>20118-706</b>



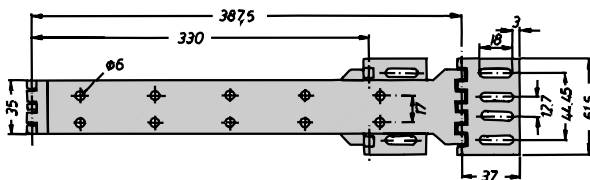
For further information [www.schroff.biz/oneClick](http://www.schroff.biz/oneClick)  
oneClick code = Order no.

Type A



A43111

Type B



A43112



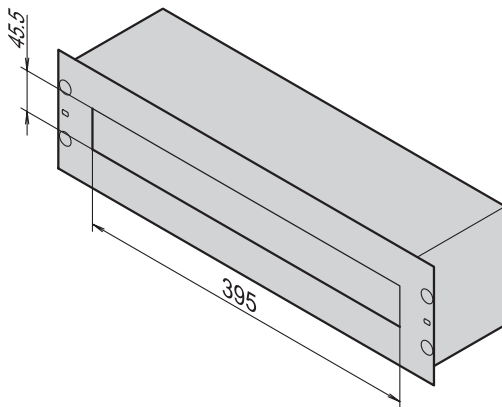
For further information ... [www.schroff.biz](http://www.schroff.biz)

## Cabinets – Accessories

### 19" distribution box



01495004



SZA45585

- For assembly of separated circuits
- For installation of power distribution modules such as FI safety switches, fuses, motor protection switches and sockets
- Assembly of the separate modules onto the standard hood profile rail
- With cable support rail on the rear side
- Connection with terminals 4 ... 35 mm<sup>2</sup>

#### Delivery comprises

Item	Qty	Description
1	1	Front hood, 1 mm steel, RAL 7035
2	1	Chassis 3 U / 84 HP, 1.5 mm steel, AlZn
3	1	Rear panel
4	2	Busbar rail for connecting terminal, copper 200 x 3 x 10 mm, zinc-plated, separately assembled
5	1	Hood profile rail, steel, yellow chromated, depth-adjustable
6	1	Cable support rail, steel, yellow chromated
7	1	Sealing brush strip, hard PVC/Nylon, black, for cable ducting
8	2	Sealing strips, polyester, for empty module slots
9	1	Earthing conductor, copper 1.5 mm <sup>2</sup> , green/yellow, length 360 mm
10	1	Assembly kit

#### Order Information

Type	Order no.
19" distribution box	<b>60118-434</b>



For further information [www.schroff.biz/oneClick](http://www.schroff.biz/oneClick)  
oneClick code = Order no.

## Cabinets – Accessories

### Connecting clamps for distribution box



01695012

- Material: For material cross-section 4, 16 or 35 mm<sup>2</sup>
- For plugging onto the busbar rail of the 19" distribution box

#### Delivery comprises

Item	Qty	Description
1	10	Connecting clamps, steel, yellow chromated

#### Order Information

Connecting clamps for cable cross-section	Colour	Order no.
4 mm <sup>2</sup>	yellow/green (Earth)	<b>21101-529</b>
4 mm <sup>2</sup>	blue (Neutral)	<b>21101-532</b>
16 mm <sup>2</sup>	yellow/green (Earth)	<b>21101-530</b>
16 mm <sup>2</sup>	blue (Neutral)	<b>21101-533</b>
35 mm <sup>2</sup>	yellow/green (Earth)	<b>21101-531</b>
35 mm <sup>2</sup>	blue (Neutral)	<b>21101-534</b>



For further information [www.schroff.biz/oneClick](http://www.schroff.biz/oneClick)  
oneClick code = Order no.

### Clamps for distribution box



01695034

#### Order Information

Description	Qty	Order no.
Clamps for distribution box	14	<b>21190-753</b>



For further information [www.schroff.biz/oneClick](http://www.schroff.biz/oneClick)  
oneClick code = Order no.

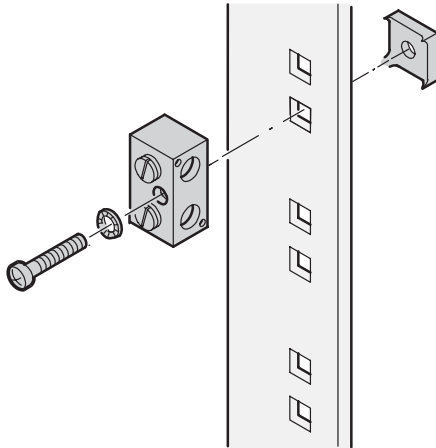


## Cabinets – Accessories

### Earthing Blocks

- Connection for Earthing
- GND/earthing rail
- Flat GND/earthing rail

### Earthing Blocks



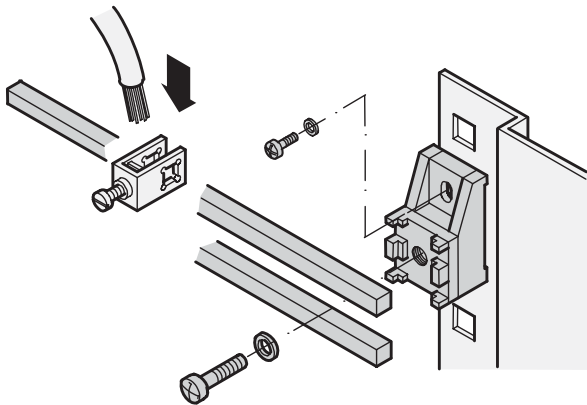
SC27

- For all cabinets, cases and frames
- IBM-compatible GND/earthing terminal for connection of the cabinet to the building earth.
- Maximum cable cross-section: 100 mm<sup>2</sup>
- Finish: Tin-plated, complying with IBM reference no. 4716804

### Order Information

Description	Order no.
Earthing Blocks	<b>20118-030</b>

### GND/earthing rail



SC5

- For all cabinets, cases and frames
- For terminating GND/earthing wire and cabinet wiring using connecting terminals.
- Mounted on insulation blocks
- Cross-section: 35 mm<sup>2</sup>
- Material: Copper

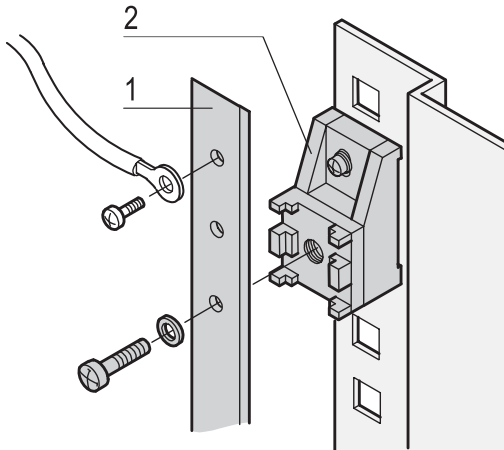
### Order Information

Length mm	Complete rail Order no.	Additional second rail Order no.
200	<b>20118-281</b>	<b>60118-145</b>
480	<b>20118-282</b>	<b>60118-144</b>
1000	<b>20118-265</b>	-
<b>Connecting clamps for GND/earthing rail</b> Cable cross-section 4 mm <sup>2</sup> , 20 pieces/set		<b>20118-366</b>
<b>Connecting clamps for GND/earthing rail</b> Cable cross-section 16 mm <sup>2</sup> , 10 pieces/set		<b>20118-365</b>
<b>Connecting clamps for GND/earthing rail</b> Cable cross-section 35 mm <sup>2</sup> , 5 pieces/set		<b>20118-364</b>

SC5A

## Cabinets – Accessories

### Flat GND/earthing rail



- For all cabinets, cases and frames
- For screw on GND/earth cables with ring tags. Mounted on insulation blocks
- Threaded connection point:  $\varnothing$  M 5, 20 mm spacing
- Length of the GND/earthing rail: 1000 mm

#### Delivery comprises

Item	Qty	Description
1	1	GND/earthing rail, brass, untreated, 15 x 3 mm
2	1	Rail support block for GND/earthing rail
3	1	Assembly kit

SC6

#### Order Information

Description	Qty	Order no.
Flat GND/earthing rail	1	<b>20118-590</b>
Flat GND/earthing rail	10	<b>20118-591</b>



For further information [www.schroff.biz/oneClick](http://www.schroff.biz/oneClick)  
oneClick code = Order no.



## Cabinets – Accessories

### 19" light



00500001

#### Order Information

Type	Order no.
Cabinet light incl. connection lead	<b>22127-890</b>

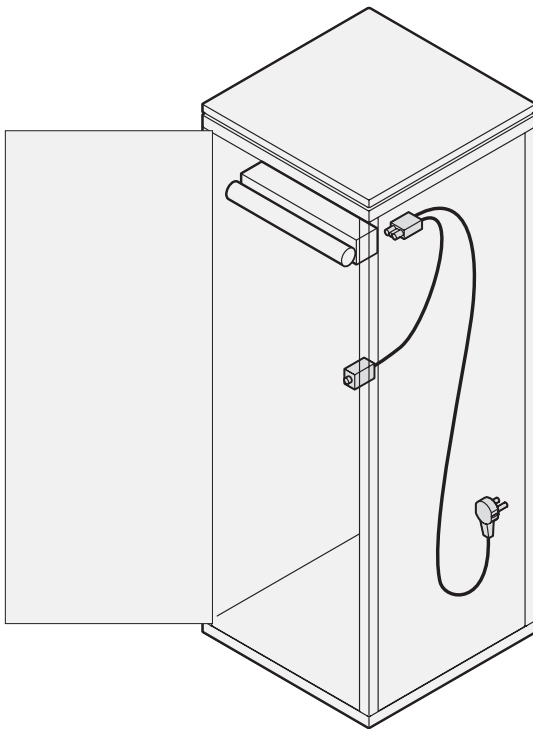
#### Technical data

Mains voltage	230 V
Output parameter	14 W
Dimensions H x B x T	483 x 40 x 100



For further information [www.schroff.biz/oneClick](http://www.schroff.biz/oneClick)  
oneClick code = Order no.

### Door switch



00501501

Door contact switch for switching a cabinet light on / off.

- Suitable for all cabinets
- Simplest handling with Plug and Play (fully wired)

#### Delivery comprises (assembled)

Item	Qty	Description
1	1	Door contact switch (fully wired)
2	1	Mounting bracket
3	1	Assembly kit

#### Order Information

Type	Order no.
Door switch	<b>20118-718</b>

#### Note

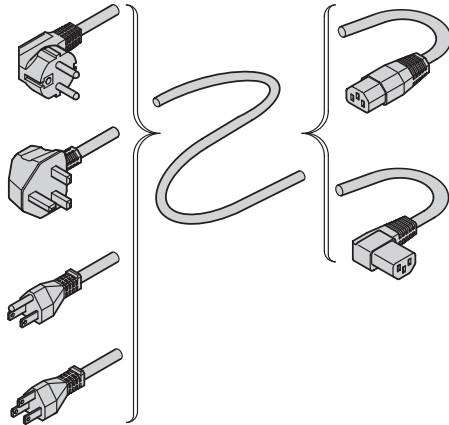
- Connection to mains supply with earthing contact/UTE connector.
- Connection to cabinet light with Wieland® GST-18 plug system



For further information [www.schroff.biz/oneClick](http://www.schroff.biz/oneClick)  
oneClick code = Order no.

# Cabinets – Accessories

## Equipment cable



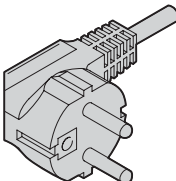
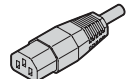
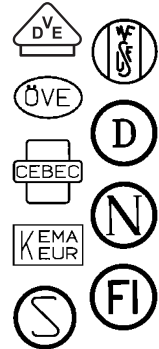
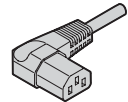
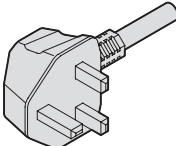
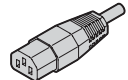

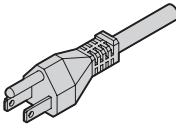
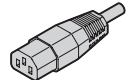

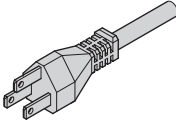
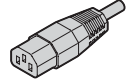
- Application for:
  - fan racks
  - Industry PC connections
  - Systems

### Delivery comprises

Item	Qty	Description
1	1	Equipment power cable, PVC, max. 250 V ~ / max. 10 A

AZA43067

## Order Information

Plug	Socket	Application	Colour	Approvals/ Certifications	Length mm	Order no.
 AZA43068	 AZA43071	Germany France Austria Norway The Netherlands Sweden Finland Spain Portugal Turkey Greece Belgium Luxembourg	grey (according to DIN 47732)		2500	<b>60103-131</b>
	 AZA43072					
 AZA43069	 AZA43071	Great Britain Ireland	black		2500	<b>60103-137</b>
 AZA43070	 AZA43071	USA Canada	black		2000	<b>60103-141</b>
 AZA43096	 AZA43071	World-wide	black	IEC 32	2500	<b>60197-053</b>



For further information [www.schroff.biz/oneClick](http://www.schroff.biz/oneClick)  
 oneClick code = Order no.



For further information ... [www.schroff.biz](http://www.schroff.biz)

UK 08/2003

1.95



## Cabinet – Accessories

### Socket strip



0794002a

- Modular, compact design
- 35° sockets at SCHUKO and UTE
- 10", 19"-strips incl. 10", 19"-installation-bracket-set. All other dimensions need assembly parts
- Mounting possible in 90° degree steps

### Delivery comprises

Item	Qty	Description
1	1	Socket strip, aluminium profile, anodised, end piece, PA, RAL 7035
2	1	Connection lead black, 2 m long, 05VV - F 3G 1,5 mm <sup>2</sup> , (CH: 05VV - F 3G 1,0 mm <sup>2</sup> )
3	1	Connector, PVC-encapsulated, BS with 13 A fuse, IEC with end sleeve for strands
4	2	Mounting angle, plastic, RAL 7035, only at 10", 19" versions
5	3 –19	Socket insert, PA, RAL 7035, for number, see order information

### Order information

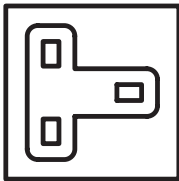
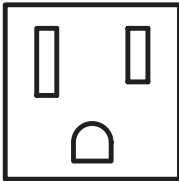
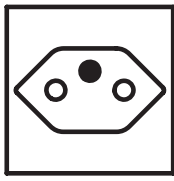
	SCHUKO 230 V <sub>AC</sub> 10/16 A DIN 41494, DIN 57620 VDE 0620		UTE 230 V <sub>AC</sub> 10/16 A NFC 61-303		IEC 230 V <sub>AC</sub> 10 A IEC 60320		
	Length in mm	Socket inserts	Order-no.	Socket inserts	Order-no.	Socket inserts	Order-no.
Standard without	184	3	<b>60110-200</b>	–	–	–	–
Functional element	210 (10")	4	<b>60110-201</b>	4	<b>60110-220</b>	–	–
	438,5 (19")	9	<b>60110-202</b>	9	<b>60110-221</b>	8	<b>60110-234</b>
	947,5	12	<b>60110-203</b>	12	<b>60110-222</b>	10	<b>60110-235</b>
	1202	15	<b>60110-204</b>	15	<b>60110-223</b>	15	<b>60110-236</b>
	1753	19	<b>60110-205</b>	19	<b>60110-224</b>	–	–
Rocker switch	438,5 (19")	8	<b>60110-206</b>	8	<b>60110-225</b>	7	<b>60110-237</b>
	947,5	12	<b>60110-207</b>	12	<b>60110-226</b>	10	<b>60110-238</b>
	1202	15	<b>60110-208</b>	–	–	15	<b>60110-239</b>
	1753	19	<b>60110-209</b>	–	–	–	–
Overcurrent protection (SI) nominal current 16 A	438,5 (19")	6	<b>60110-212</b>	6	<b>60110-228</b>	–	–
Mains suppression filter nominal current 16 A	438,5 (19")	6	<b>60110-214</b>	6	<b>60110-229</b>	–	–
Fault current protection FI 250 V/16 A/ 30 mA	438,5 (19")	6	<b>60110-216</b>	6	<b>60110-230</b>	–	–
Earth leakage(FI) + Overcurrent (SI)	438,5 (19")	6	<b>60110-217</b>	6	<b>60110-231</b>	–	–
Master-Slave	438,5 (19")	6	<b>60110-218</b>	6	<b>60110-232</b>	–	–
Transient protection with mains suppression filter	438,5 (19")	6	<b>60110-210</b>	6	<b>60110-227</b>	–	–
	947,5	9	<b>60110-211</b>	–	–	–	–
3 isolated circuits	608,5	9	<b>60110-219</b>	9	<b>60110-233</b>	–	–

FI = Fault current protection  
SI = Over current protection

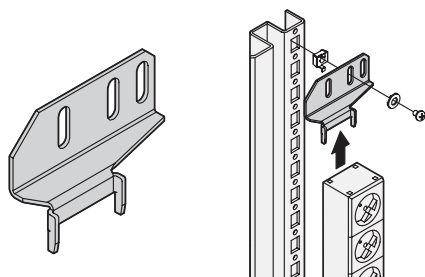


## Cabinet – Accessories

### Socket strip

		<b>BS</b> 230 V <sub>AC</sub> 13 A BS-1363	<b>US</b> 125 V <sub>AC</sub> 15 A UL-498, CSA	<b>Swiss version</b> 230 V <sub>AC</sub> 10 A SEV. IEC 60884			
		 <small>DTA44117</small>	 <small>DTA44797</small>	 <small>DTA44124</small>			
Functional element	Length in mm	Socket inserts	Order-no..	Socket inserts	Order-no..	Socket inserts	Order-no..
Standard without	438,5 (19")	7	<b>60110-243</b>	11	<b>60110-240</b>	10	<b>60110-246</b>
Functional element	947,5	10	<b>60110-244</b>	15	<b>60110-241</b>	–	–
Rocker switch	438,5 (19")	6	<b>60110-245</b>	11	<b>60110-242</b>	9	<b>60110-247</b>

### Assembly kit for socket strips



#### Assembly

Vertical on cabinet upright  
(in steps of 90°)

Order-no..

**20110-068**

00502502