

# 1492-RCD Specifications

General Data		
Poles	2,4	
Rated current $I_n$	25, 40, 63, 80 A	
Rated sensitivity $I_{\Delta n}$	2-pole	30, 100, 300 mA
	4-pole	30, 100, 300, 500 mA
Electrical Ratings		
Rated short-circuit strength	10 kA with 63 A gG/gL back-up fuse, 10 kA with 80 A gG/gL back-up fuse for 80 A device	
Rated operational voltage $U_e$ per IEC/EN	230/400V AC	
Rated voltage $U_e$ per UL	480Y/277V AC	
Max. operating voltage of circuit test	254V AC	
Min. operating voltage of circuit test	110V	
Rated frequency	50/60 Hz	
Rated conditional short-circuit	10 kA (SCPD - fuse gG 100 A)	
Rated residual breaking capacity	1 kA	
Rated impulse withstand voltage $U_{imp}$ (1.2/50 $\mu$ s)	4 kV	
Dielectric test voltage at ind. freq. for 1 min.	2.5 kV	
Electrical endurance	10,000 operations	
Mechanical		
Indicator window	Red ON/green OFF	
Protection degree	Housing	IP4X
	Terminals	IP2X
Environmental		
Ambient temperature (with daily average +35 °C)	-25...+55 °C	
Storage temperature	-40...+70 °C	
Mechanical endurance	20,000 operations	
Installation		
Terminal type	Dual terminal	
Cross-section of wire - solid, stranded, flexible (front/back terminal slot)	25...63 A	25/25 mm <sup>2</sup>
		18...4 AWG
	80 A	35/35 mm <sup>2</sup>
		18...2 AWG
Cross-section of bus bars (front/back terminal slot)	25...63 A	10/10 mm <sup>2</sup>
	80 A	16/16 mm <sup>2</sup>
Tightening torque	25...63 A	2.8 N·m
		25 in·lb
	80 A	4.8 N·m
		43 in·lb
Mounting	DIN Rail EN 60715 (35 mm) with fast clip device	
Supply	Optional	

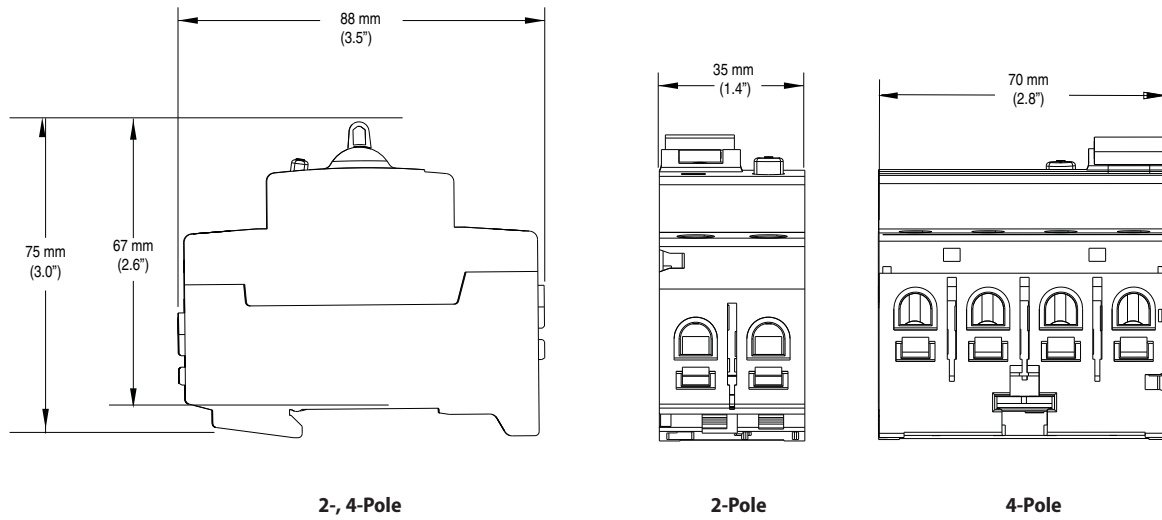
Approximate Dimensions and Weight		
Dimensions (H x D x W)	2-pole	88 x 67 x 35 mm
	4-pole	88 x 67 x 70 mm
Weight	2-pole	200 g (7.1 oz.)
	4-pole	350 g (12.3 oz.)
Combination with Auxiliary Elements		
Auxiliary contact	Yes	
Signal contact	Yes	

## Power Loss Due to Current

Rated Current [A]	Power Loss [W]	
	2-pole	4-pole
25	1	1.3
40	2.4	3.2
63	3.2	4.4
80	8.8	33.3

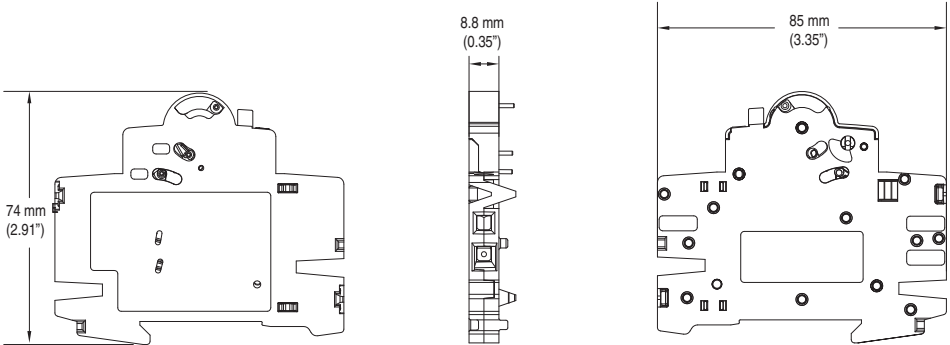
## Approximate Dimensions

**Note:** Dimensions are shown in millimeters (inches). Dimensions are not intended for manufacturing purposes.

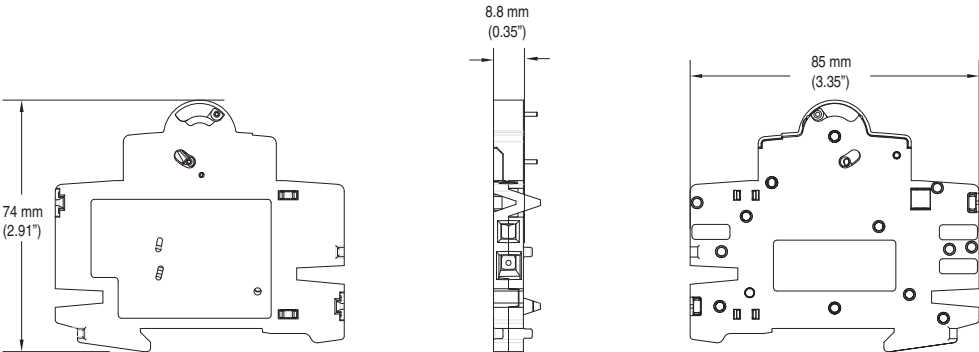


# Accessory Approximate Dimensions

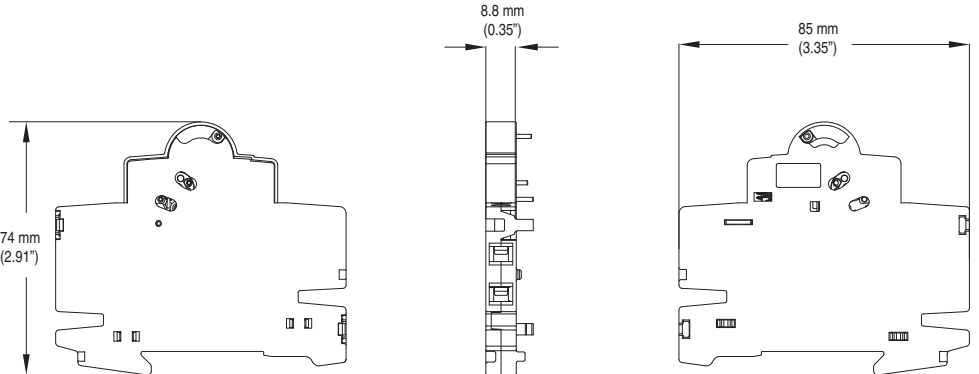
**Note:** Dimensions are shown in millimeters (inches). Dimensions are not intended for manufacturing purposes.



**189-ASCR3**



**189-AR3**

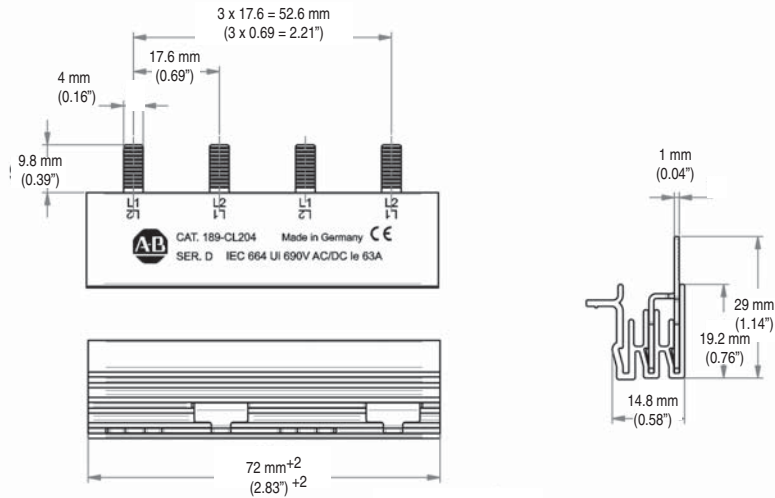


**189-AR11, 189-AR02, 189-AR20**

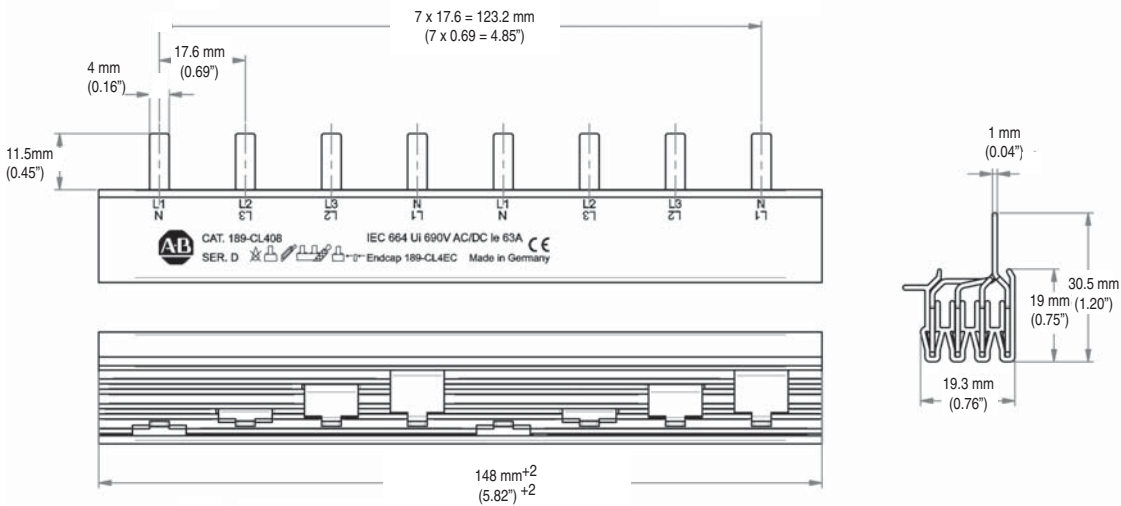
## Bus Bar Approximate Dimensions

Note: Dimensions are shown in millimeters (inches). Dimensions are not intended for manufacturing purposes.

### 2- and 4-Phase Bus Bars



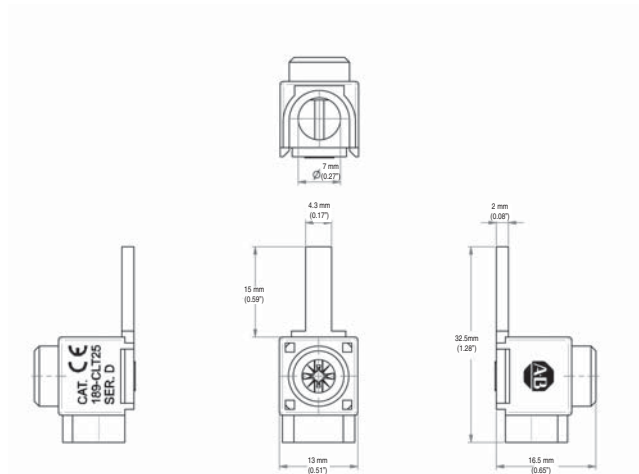
**189-CL204**



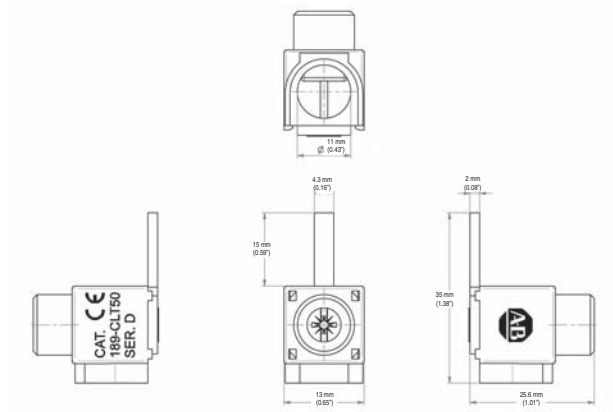
**189-CL408**

## Bus Bar Accessory Approximate Dimensions

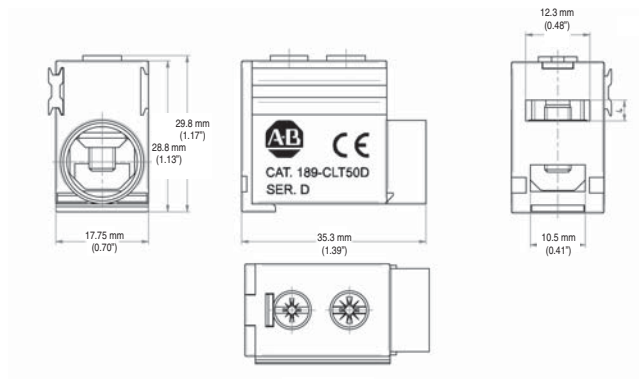
**Note:** Dimensions are shown in millimeters. Dimensions are not intended for manufacturing purposes.



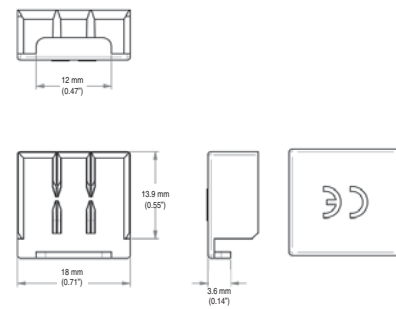
**189-CLT25**



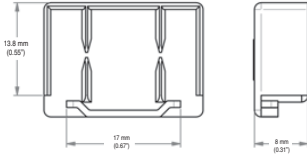
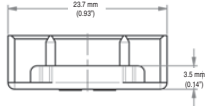
**189-CLT50**



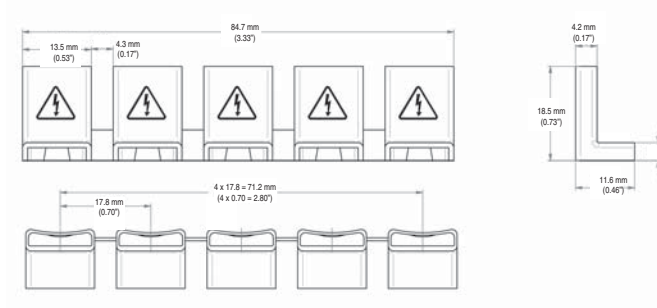
**189-CLT50D**



**189-CL3EC**



**189-CL4EC**



**189-CLPS**