

FAG

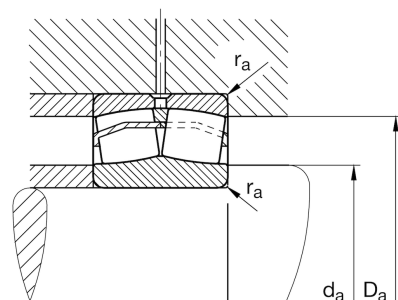
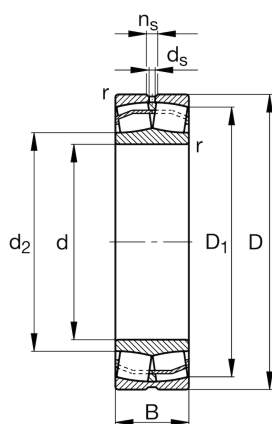
**22218-E1-XL**

Spherical roller bearing

Schaeffler ID:  
0190004130000Spherical roller bearings 222...-E1, main  
dimensions to DIN 635-2

X-life

## Technical information

**Main Dimensions & Performance Data**

|                 |             |                                   |
|-----------------|-------------|-----------------------------------|
| d               | 90 mm       | Bore diameter                     |
| D               | 160 mm      | Outside diameter                  |
| B               | 40 mm       | Width                             |
| C <sub>r</sub>  | 345,000 N   | Basic dynamic load rating, radial |
| C <sub>0r</sub> | 375,000 N   | Basic static load rating, radial  |
| C <sub>ur</sub> | 43,500 N    | Fatigue load limit, radial        |
| n <sub>G</sub>  | 5,200 1/min | Limiting speed                    |
| n <sub>gr</sub> | 3,400 1/min | Reference speed                   |
|                 | 3.36 kg     | Weight                            |

**Mounting dimensions**

|                    |        |                                      |
|--------------------|--------|--------------------------------------|
| d <sub>a min</sub> | 101 mm | Minimum diameter shaft shoulder      |
| D <sub>a max</sub> | 149 mm | Maximum diameter of housing shoulder |
| r <sub>a max</sub> | 2 mm   | Maximum recess radius                |

**Dimensions**

|                  |          |                                    |
|------------------|----------|------------------------------------|
| r <sub>min</sub> | 2 mm     | Minimum chamfer dimension          |
| D <sub>1</sub>   | 143.9 mm | Bore diameter outer ring           |
| d <sub>2</sub>   | 106.1 mm | Raceway diameter of the inner ring |
| d <sub>s</sub>   | 3.2 mm   | Diameter lubrication hole          |
| n <sub>s</sub>   | 6.5 mm   | Width of lubricating groove        |

**Temperature range**

|                  |        |                            |
|------------------|--------|----------------------------|
| T <sub>min</sub> | -30 °C | Operating temperature min. |
| T <sub>max</sub> | 200 °C | Operating temperature max. |

**Calculation factors**

|                |      |  |
|----------------|------|--|
| e              | 0.23 | Limiting value of Fa/Fr for the applicability of diff. Values of factors X and Y |
| Y <sub>1</sub> | 2.9  | Dynamic axial load factor  |
| Y <sub>2</sub> | 4.31 | Dynamic axial load factor  |
| Y <sub>0</sub> | 2.83 | Static axial load factor   |