



Multi-circuit metering & measurement

DIRIS Digiware S

Current acquisition module with integrated sensors



DIRIS Digiware S



Configuration with Easy Config System.

Function

DIRIS Digiware S current acquisition modules have 3 integrated current sensors for the measurement of electrical circuits up to 63 A.

Positioned directly above or below the protective devices, they are associated with the DIRIS Digiware U voltage measurement module to measure consumption, and to monitor the electrical installation and the quality of the power supply.

Advantages

Plug & Play

- Save wiring time: the current sensors are integrated in the module.
- Quick RJ45 connection between modules.
- Positioning possible upstream or downstream of the protective device.

Multi-circuit

Multiple DIRIS Digiware S modules can be used within the measurement system enabling the monitoring of a large number of loads.

Compact

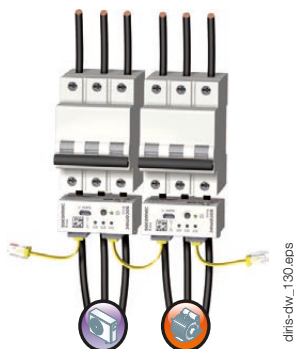
- A measurement module offering the best compactness/performance ratio of the market.
- Matches the pitch of the protective device.

Accurate

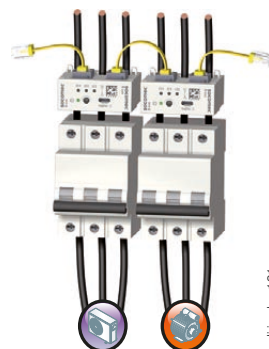
- Class 0.5 for active energy in accordance with the IEC 61557-12 standard, allowing accurate measurements over a wide range of currents.

Functional diagram

Downstream



Upstream



The DIRIS Digiware S measurement module can be mounted upstream or downstream of the protective device solving issues of space constraints.

The solution for

Distribution boards in:

- > Data center
- > Building
- > Industry



Strong points

- > Plug & Play
- > Multi-circuit
- > Compact



RJ45 (Digiware Bus) cables are available.

Integrated technologies



PreciSense



AutoCorrect



VirtualMonitor

For more information see our website www.socomec.com

Compliance with standards

- > IEC 61557-12






- > ISO 14025



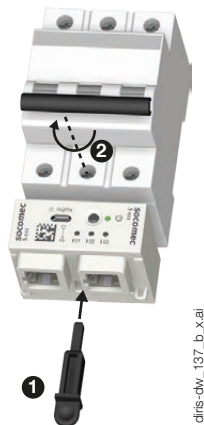
- > UL 257746



Application	Current measurement module with integrated sensors		
	Metering	Analysis	Monitoring
DIRIS Digiware S	 S-130	 S-135	 S-Datacenter
Number of current inputs	3	3	3
Basic current I _b	10 A	10 A	10 A
Maximum current I _{max}	63 A	63 A	63 A
Load type accepted	1P + N 2P / 2P + N 3P / 3P + N	1P + N 2P / 2P + N 3P / 3P + N	1P + N
Metering			
± kWh, ± kvarh, kVAh	•	•	•
Multi-tariff (max 8)		•	
Load curves		•	•
Multi-measurement			
I1, I2, I3, In, ΣP, ΣQ, ΣS, ΣPF	•	•	•
P, Q, S, PF per phase		•	•
Predictive power		•	
Current unbalance (Inba, Inb, ldir, linv, lhom)		•	
Phi, cos Phi, tan Phi		•	•
Quality			
THDi1, THDi2, THDi3, THDin		•	•
Individual harmonics I (up to 63rd)		•	
Crest factors U, V, I		•	
K factor		•	
Overcurrents		•	
Alarms			
Thresholds and combinations		•	•
Load level			•
Wiring errors		•	•
Protective device		•	•
Trends			
Average values		•	•
Format			
Width	54 mm	54 mm	54 mm

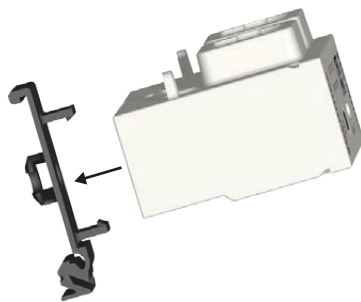
Mounting accessories

Temporary MCB insert
(for use during panel assembly)



diris-dw_137_b_x.ai

DIN rail and back plate mounting



diris-dw_138_b_x.ai

Cable tie tether

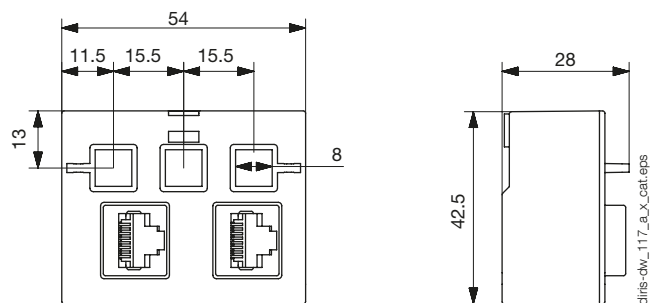


diris-dw_139_b_x.ai

DIRIS Digiware S

Current acquisition module with integrated sensors

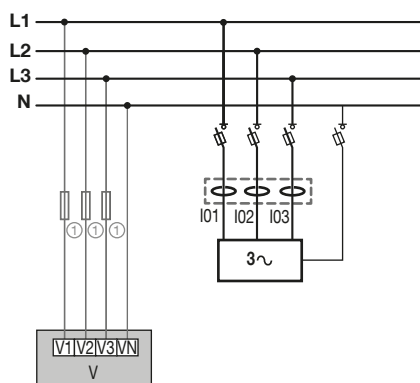
Dimensions (mm)



Connections

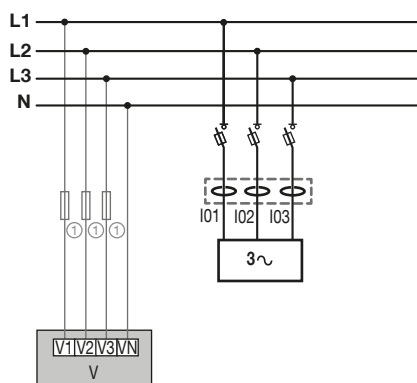
Current is measured by the integrated inputs I01, I02 and I03 on the DIRIS Digiware S module.

3P+N - 3CT

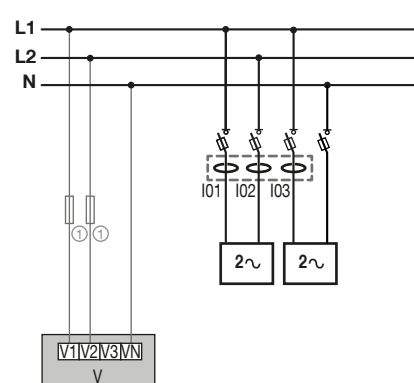


diris-dw_118_a_x_cat.ai

3P - 3CT



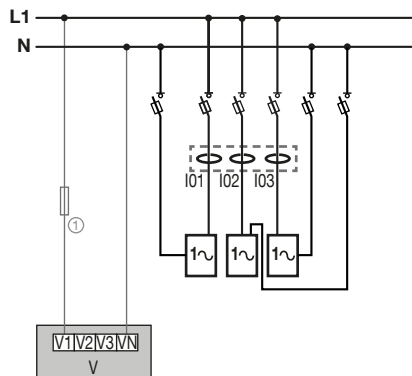
2P+N - 2CT & 2P+N - 1CT



diris-dw_119_a_x_cat.ai

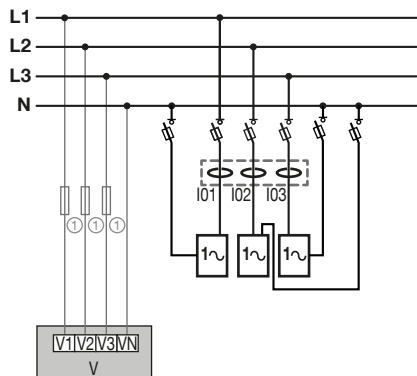
diris-dw_120_a_x_cat.ai

1P+N - 1CT (3x)



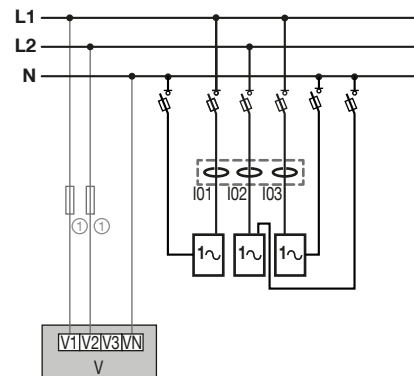
diris-dw_121_a_x_cat.ai

3P+N - 1CT (3x)



diris-dw_122_a_x_cat.ai

2P+N - 1CT (3x)



diris-dw_123_a_x_cat.ai



Fuses : 0.5 A gG/BS 88 2 A gG/0.5 A class CC

Technical characteristics

Measurement characteristics

Measurement of current	
Number of current inputs	3
Associated current sensors	Integrated in the product
Basic current I _b	10 A
Maximum current I _{max}	63 A
Current measurement accuracy	Class 0.5 IEC 61557-12

Measurement of energy	
Accuracy of active energy	Class 0.5 IEC 61557-12
Accuracy of reactive energy	Class 1 IEC 61557-12

Mechanical characteristics

Casing type	DIN rail or back plate mounting
Casing protection index	IP20/IK08
Weight	63 g
Module power consumption	0.35 VA

Communication specifications

Digiware BUS	
Function	Connection between DIRIS Digiware S, U, I modules and system interfaces
Cable type	Specific Socomec cable with RJ45 connections

USB	
Protocol	MODBUS RTU on USB
Function	Configuration of DIRIS Digiware modules
Location	On each DIRIS Digiware module
Connection	Type B micro USB connector

Environmental specifications

Ambient operating temperature	-10 ... +55°C
Storage temperature	-25 ... +70°C
Operating humidity	40°C/95% RH
Operating altitude	< 2000 m

References

DIRIS Digiware S	Reference	
S-130	Metering - 3 integrated current inputs	4829 0160
S-135	Analysis - 3 integrated current inputs	4829 0161
S-Datacenter	Single-phase monitoring - 3 integrated current inputs	4829 0162
Accessories		Reference
DIN rail and back plate mounting clip (x10)		4829 0195
Temporary MCB insert (x10)		4829 0196

Digiware connection cables	Reference	
RJ45 cables for Digiware Bus	Length 0.06 m ⁽¹⁾	4829 0189
	Length 0.10 m	4829 0181
	Length 0.20 m	4829 0188
	Length 0.50 m	4829 0182
	Length 1 m	4829 0183
	Length 2 m	4829 0184
	Length 3 m	4829 0190
	Length 5 m	4829 0186
	Length 10 m	4829 0187
	50 m reel + 100 connectors	4829 0185
Termination for Digiware Bus (supplied with interfaces C and D)	4829 0180	
USB configuration cable	4829 0050	

(1) The RJ45 6 cm cables can be used on 3-pole or 4-pole protective devices.

Expert Services

Require integration onto your network?

No problem for our "Expert Services" team. They will fully integrate all your SOCOMEC devices, **audit** your system, **commission** selected equipment and **train** your staff on its use.

For further information, please contact your nearest SOCOMEC branch.