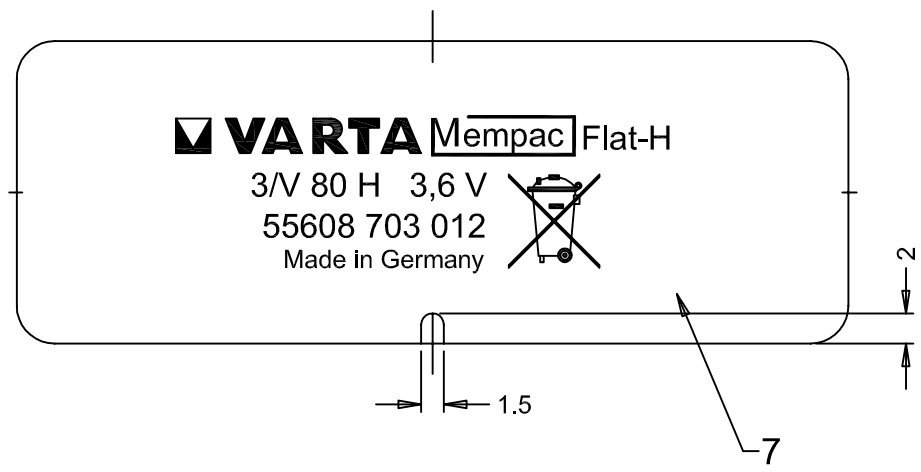
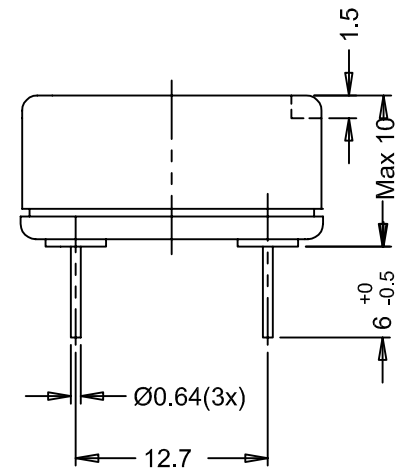
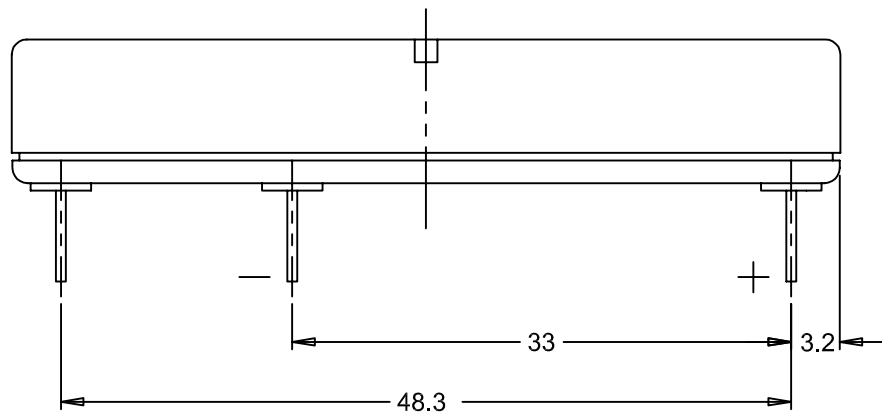
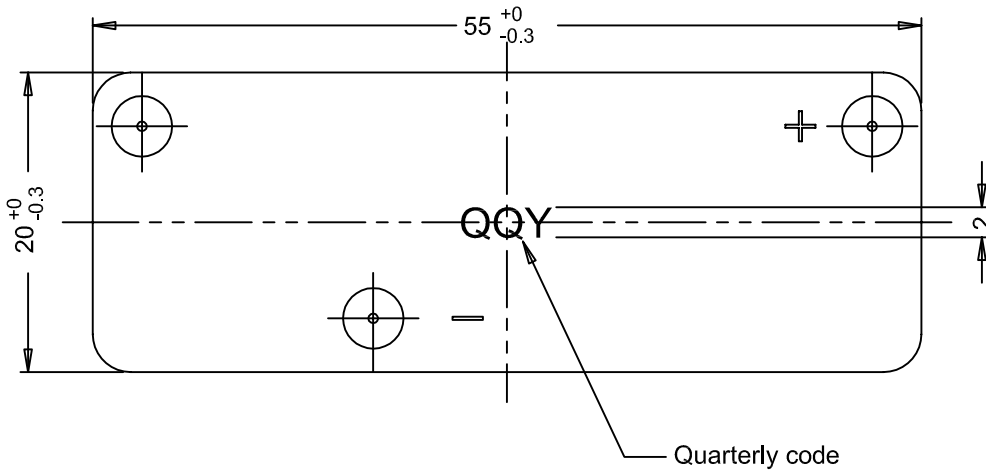


This is controlled document.  
 Hardcopy to be endorsed by authorized person.  
 Check with Issuing Officer or SAP system for latest update.



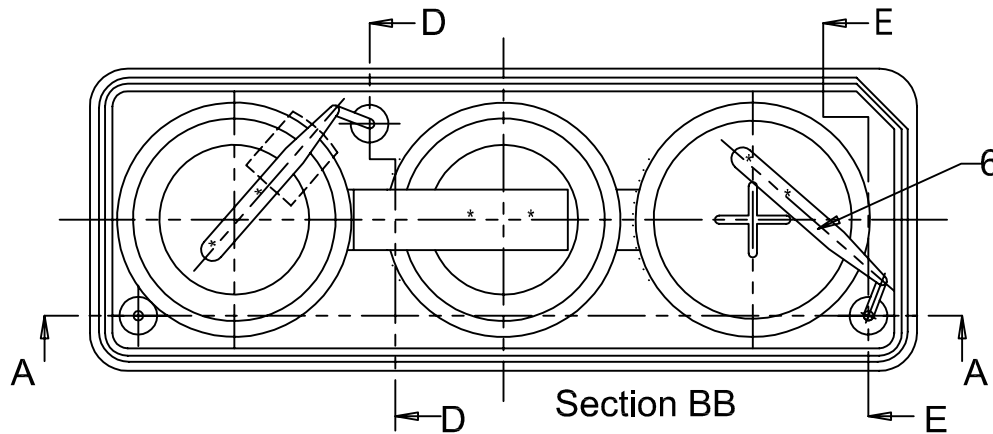
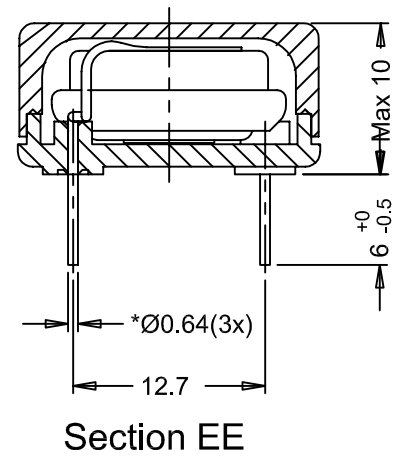
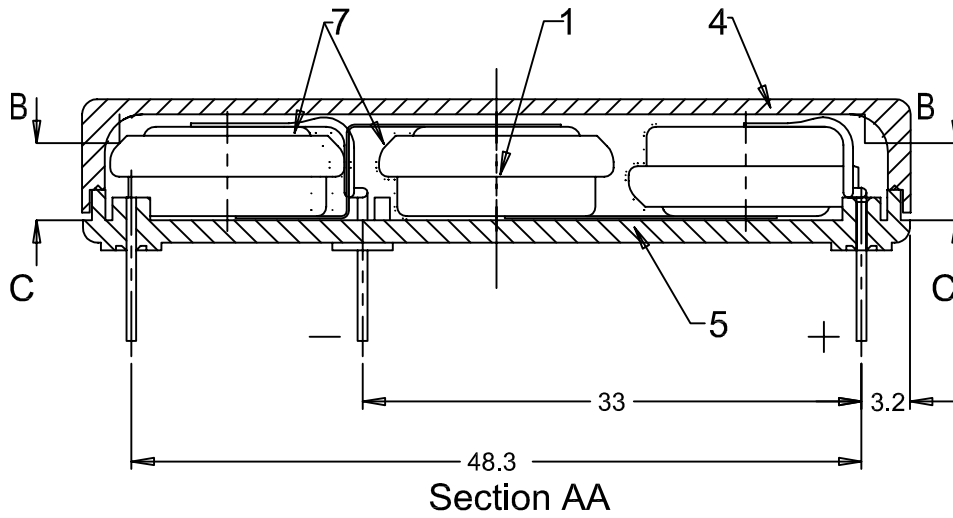
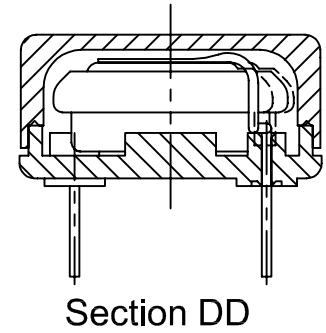
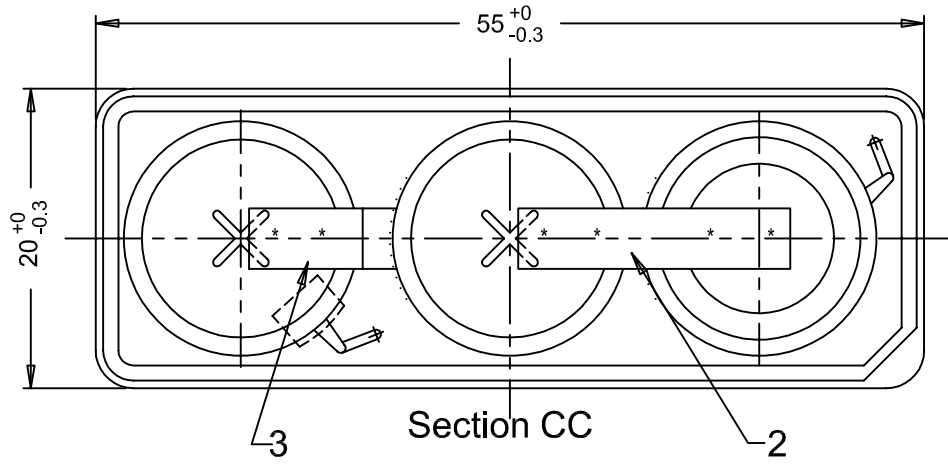
1	R230/08	To add in the crossed-out wheeled bin	2008-07-10	Ratna
No	AO No	Revisions	Date	Name

Projection:	<b>Material:</b> Refer to part list no: 071064		<b>Description:</b> 3/V80H battery "Mempac Flat-H"	
	<b>Dimensions in mm</b> Tolerance: As specified Scale: 2 : 1	Prepared & Checked 1998-02-21 TitisWS	Verified & Approved	Dwg. No: 071064 (sheet 1 of 2) VKB Order No: 55608 703 012

Rights reserved to make technical changes, as a result of further development, without notice. This drawing is the property of VARTA Microbattery and must not be copied or disclosed to a third party without the written consent of VARTA Microbattery.



This is controlled document.  
 Hardcopy to be endorsed by authorized person.  
 Check with Issuing Officer or SAP system for latest update.



Note: \*Dimensions for reference only

1	R230/08	To add in the crossed-out wheeled bin	2008-07-10	Ratna
No	AO No	Revisions	1	Date Name

Projection:	<b>Material:</b> Refer to part list no: 071064		<b>Description:</b> 3/V80H battery "Mempac Flat-H"	
	<b>Dimensions in mm</b> Tolerance: As specified Scale: 2 : 1	Prepared & Checked 1998-02-21 TitisWS	Verified & Approved	Dwg. No: 071064 (sheet 2 of 2) VKB Order No: 55608 703 012

Rights reserved to make technical changes, as a result of further development, without notice. This drawing is the property of VARTA Microbattery and must not be copied or disclosed to a third party without the written consent of VARTA Microbattery.

