

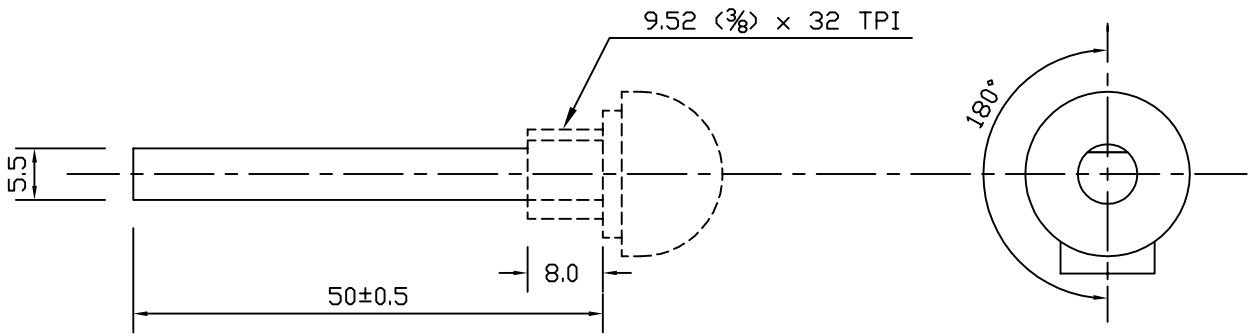
USED ON —

DWG NO  
1

# TYPE 23 - RS COMPONENTS

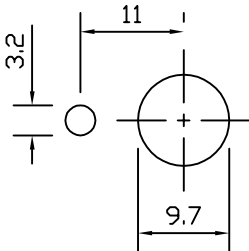
## SPINDLE DETAILS

## ASSEMBLY ANGLE



Spindle in full CCW position

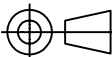
## PANEL PIERCING DETAILS



THIS INFORMATION IS CONFIDENTIAL AND PROPRIETARY TO TYCO ELECTRONICS CORPORATION AND ITS WORLDWIDE SUBSIDIARIES AND AFFILIATES. IT MAY NOT BE DISCLOSED TO ANYONE OTHER THAN TYCO ELECTRONICS PERSONNEL, WITHOUT WRITTEN AUTHORIZATION FROM TYCO ELECTRONICS CORPORATION, HARRISBURG, PENNSYLVANIA USA.

LOC

DIST

						DWN	22JAN04	CHK	-	APVD	-
						DIMENSIONS:			MATERIAL	-	HT TR
						MM					
						TOLERANCES UNLESS			<b>tyco</b> Tyco Electronics Corporation Dorcan, Swindon, GB		
						 <ul style="list-style-type: none"> <li>0 PLC ±0.5</li> <li>1 PLC ±0.2</li> <li>2 PLC ±0.1</li> <li>3 PLC ±-</li> <li>4 PLC ±-</li> <li>ANGLES ±5</li> </ul>			NAME TYPE 23 - RS COMPONENTS		
P	LTR	REVISION RECORD	DATE	DWN	APVD	SURFACE TEXTURE					
THIS DRAWING IS A CONTROLLED DOCUMENT.						SCALE	SIZE	DRAWING NO		SHEET	REV
						NTS	A4			1 OF 1	-