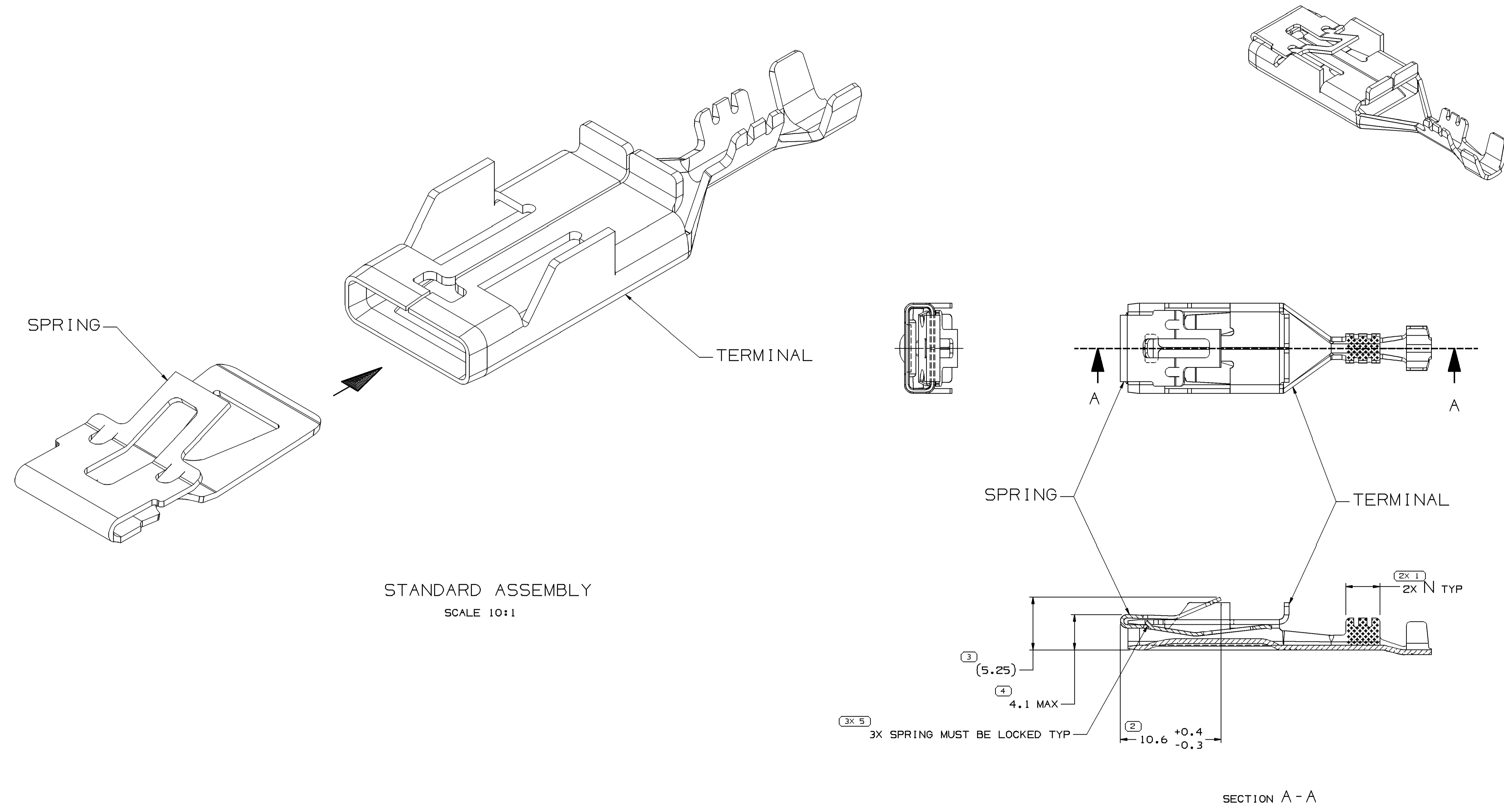


SYMBOL DEFINITION		MISSING SYMBOLS	
A DIMENSION WITHOUT AN INSPECTION REPORT SYMBOL DOES NOT REQUIRE INSPECTION. IT MAY BE CONTROLLED ON THE INDIVIDUAL COMPONENT DRAWING.	TOTAL NO OF INSPECTIONS REQUIRED	8	NO MISSING SYMBOL NUMBER
	LAST NO. USED	5	

DWS STATUS				REVISION HISTORY				AUTH		DR		AP/VD	
DATE	STG	REV	N/P	CHG	ZONE								
21MR00	R	001	-	-		CLEARED REV COLUMN: ALL PARTS - REDRAWN TO PD	000009	EVV	001	AL			
07N001	R	002	-	-		12065915 - UPDATED PDM ATTRIBUTES	215046	MRL	MRL	DLB			
30JA02	R	003	-	-		12065918 - UPDATED PDM ATTRIBUTES	219729	JMR	JMR	AM			
30JA02	R	004	-	-		12110128 - UPDATED PDM ATTRIBUTES	219730	JMR	JMR	AM			
07MR06	R	05	-	-		12146942 - INACTIVE	278088	JTZ	JVM	BDG			
15OC10	R	06	-	-		ALL ACTIVE PARTS - DIM (5.25) WAS 5.25 MIN	412233	MAL	MAL	MMC			
20JA11	R	07	-	-		12092444, 12065916 & 12110128 - UPDATED PDM ATTRIBUTES	413105	MAL	JAA	BEM			
25JL11	R	08	-	-		ALL ACTIVE PARTS - REVISED RECOVERY NOTE	414881	AJP	JVM	BEM			



STANDARD ASSEMBLY
SCALE 10:1

STANDARD CRIMP TERMINAL ASSEMBLY

- NOTES
- UNLESS OTHERWISE SPECIFIED AND/OR INDICATED:
DIMENSIONS ARE TO FACE OF VIEW SHOWN AND AUTOMATICALLY ROUNDED BY COMPUTER FOR INSPECTION (SEE MATH MODEL FOR PRECISE DIMENSIONS). FOR ALL OTHER DIMENSIONS NOT SHOWN BUT REQUIRED FOR TOOL BUILD, SEE MATH MODEL FOR PRECISE TOOL PATH DATA.
 - TERMINALS TO BE USED WITH 12065900 FUSE BLOCK OR EQUIVALENT.
 - TERMINAL ENGAGE 10N TO 35N WHEN MATED TO A 8 MM WIDE X 0.81 MM THICK HARDENED STEEL BLADE.
 - REFERENCE MATING COMPONENTS OR EQUIVALENT:
MAXI FUSE 12065938
 - NO SPECIAL PACKAGING REQUIRED.
 - RECOVERY NOTE - AFTER INSERTION INTO A 4.3 FUNCTIONAL GAGE, (5.25) TANG MUST RECOVER TO A MINIMUM OF 4.8.
 - TERMINAL FOR USE IN SEALED CAVITY REF CONN 12129380. USE CABLE SEAL 12129381.
 - TERMINAL FOR USE IN UNSEALED CAVITY REF CONN 12160893.
 - TERMINAL FOR USE IN SEALED CAVITY REF CONN 15336743. USE CABLE SEAL 15336703.
 - DO NOT PROBE, TEST OR OTHERWISE CONTACT THE INTERIOR REGION (THE SPRING OR ANY MOVING PART) OF THIS TERMINAL. SEVERE DAMAGE CAN OCCUR, COMPROMISING THE PERFORMANCE OF THE ELECTRICAL INTERFACE.

ASM PART NO	REV	N/P	STATUS	DESCRIPTION	SPRING PART NO	TERMINAL PART NO	N	MAX	APPLICATION
15336748	A4	-		5 MM ² SEALED TERMINAL	12065905	15336629	7		NOTE 9
12146942	A2	-	INACTIVE	8 MM ² CRIMPED TERMINAL	12065905	12146941	7		NOTE 8
12129414	A4	-		8 MM ² SEALED TERMINAL	12065905	12129383	7		NOTE 7
12110128	A7	-		TWO 2 MM ² CRIMPED TERMINAL	12065905	12110126	6		NOTE 2
12110127	A5	-		5 MM ² CRIMPED TERMINAL	12065905	12110125	6		NOTE 2
12092445	B5	-		TWO 5 MM ² CRIMPED TERMINAL	12065905	12092443	6		NOTE 2
12092444	A10	-		TWO 3 MM ² CRIMPED TERMINAL	12065905	12092442	6		NOTE 2
12065921	A9	-	OBSOLETE	TWO 5 MM ² CRIMPED TERMINAL	12065905	12065913	4		NOTE 2
12065920	A9	-	OBSOLETE	TWO 3 MM ² CRIMPED TERMINAL	12065905	12065912	4		NOTE 2
12065919	A9	-	OBSOLETE	TWO 2 MM ² CRIMPED TERMINAL	12065905	12065911	4		NOTE 2
12065918	B6	-		TWO 1 MM ² CRIMPED TERMINAL	12065905	12065910	4		NOTE 2
12065917	A9	-	OBSOLETE	5 MM ² CRIMPED TERMINAL	12065905	12065909	4		NOTE 2
12065916	B6	-		3-2 MM ² CRIMPED TERMINAL	12065905	12065908	4		NOTE 2
12065915	B6	-		1-0.8 MM ² CRIMPED TERMINAL	12065905	12065907	4		NOTE 2

TERMINAL AND SPRING ASSEMBLIES

DWG TYPE		PART DRAWING	
STYLE	D		
VOLUME (OMP)	DISTR CODE		
UNLESS OTHERWISE SPECIFIED			
THIS DOCUMENT IS IN ACCORDANCE WITH ASME Y14.5M-1994 AS INDICATED BY THE DIMENSIONAL DIMENSIONS AND TOLERANCES UNLESS OTHERWISE SPECIFIED. SEPARATE PATTERNS OF FEATURES MAY BE SHOWN SEPARATELY REGARDLESS OF DIMENSIONS.			
ALL DIMENSIONS ARE IN MILLIMETERS			
4 PROCESS SENSITIVE DIMENSION	THIRD ANGLE PROJECTION	DO NOT SCALE	USE MATH DATA
DIMENSIONS ENCLOSED IN () INDICATE REFERENCE DIMENSIONS AND NO TOLERANCE LIMITS ARE ESTABLISHED			
DIMENSIONAL RANGE (MM)	CHART CD		
FROM 0 TO 12	> 12		
TOLERANCE UNLESS OTHERWISE SPECIFIED			
±0.1	±0.2		
ANGULAR TOLERANCE ±2°			

DELPHI
DELPHI PACKARD ELECTRICAL/ELECTRONIC ARCHITECTURE
WARREN, OH

DR	DATE
APV01 JAY H. GARRETSON	21JN05
APV02 R. GLEASON	21AUB6
APV03 D. BRANTINGHAM	15SEB6
APV04 R. PETROSKY	16SEB6
APV05	

SUBSTANCES OF CONCERN AND RECYCLED CONTENT PER DELPHI (094900)

MATERIAL: SEE CHART

DRAWING NAME: TAXI ASM TERM F W/P 800

DRAWING NUMBER: 12065914

SIZE: A0 SCALE: 5:1 FRAME NO: 1 OF 1 SHEET NO: 1 OF 2 REV: N/P