



22MM PLASTIC ROUND ACTUATOR: PUSH-PULL  
 BUTTON 40MM LATCHING W.PULL-TO-UNLOCK MECH.  
 WITH HOLDER RED

**Actuator:**

<b>Design of the operating mechanism</b>		push-pull button, Ø 40 mm
<b>Shape / of the activation element</b>		round
<b>Manner of function / of the activation element</b>		Yes No
<ul style="list-style-type: none"> <li>• arresting lock</li> <li>• tentative</li> </ul>		Yes No
<b>External diameter / of the activation element</b>	mm	40
<b>Material / of the activation element</b>		plastic

**Button:**

<b>Design of the button</b>		flat
<b>Color / of the button</b>		red

**Front ring:**

<b>Product component / front ring</b>		Yes
<b>Material / of the front ring</b>		plastic
<b>Color / of the front ring</b>		black

**Auxiliary circuit:**

<b>Number of NC contacts / for auxiliary contacts</b>		0
<b>Number of NO contacts / for auxiliary contacts</b>		0

Number of change-over switches / for auxiliary contacts		0
---	--	---

### General technical details:

Design of the product		Ø 40 mm, latching, with pull-to-unlatch mechanism
Number of control points		1
Number of indicator lights / installable		0
Number of switching positions		2
Type of unlocking device		pull-to-unlatch mechanism
Product extension / optional / fluorescent materials		No
Product function / emergency stop function		No
Resistance against shock <ul style="list-style-type: none"> <li>• for devices without incandescent lamp / according to IEC 60068-2-27</li> </ul>		<= 50g
Resistance against vibration / according to IEC 60068-2-6		20 ... 200 Hz: 5g
Operating cycles / maximum	1/h	1,000
Mechanical operating cycles as operating time / typical		300,000
Item designation <ul style="list-style-type: none"> <li>• according to DIN EN 61346-2</li> <li>• according to DIN 40719 extendable after IEC 204-2 / according to IEC 750</li> </ul>		S S

### Installation/mounting/dimensions:

Type of mounting		front mounting
material / of the housing		plastic
Shape / of the installation hole		round
Installation width	mm	22
Mounting diameter	mm	22
Height	mm	40
Width	mm	40
Depth	mm	53.5
Tightening torque / of the screws in the holder / maximum	N·m	1

### Ambient conditions:

Ambient temperature <ul style="list-style-type: none"> <li>• during storage</li> <li>• during the operating phase</li> </ul>	°C	-40 ... 80
	°C	-25 ... 70
Protection class IP		IP66
Climatic class / according to DIN EN ISO 6270-2		KTW24

### Certificates/approvals:

**General Product Approval**



[ROSTEST](#)



**Test Certificates**

[Manufacturer](#)

**Shipping Approval**

[ABS](#)



[PRS](#)



**other**

[Manufacturer](#)

**Further information:**

**Information- and Downloadcenter (Catalogs, Brochures,...)**

<http://www.siemens.com/industrial-controls/catalogs>

**Industry Mall (Online ordering system)**

<http://www.siemens.com/industrial-controls/mall>

**CAX-Online-Generator**

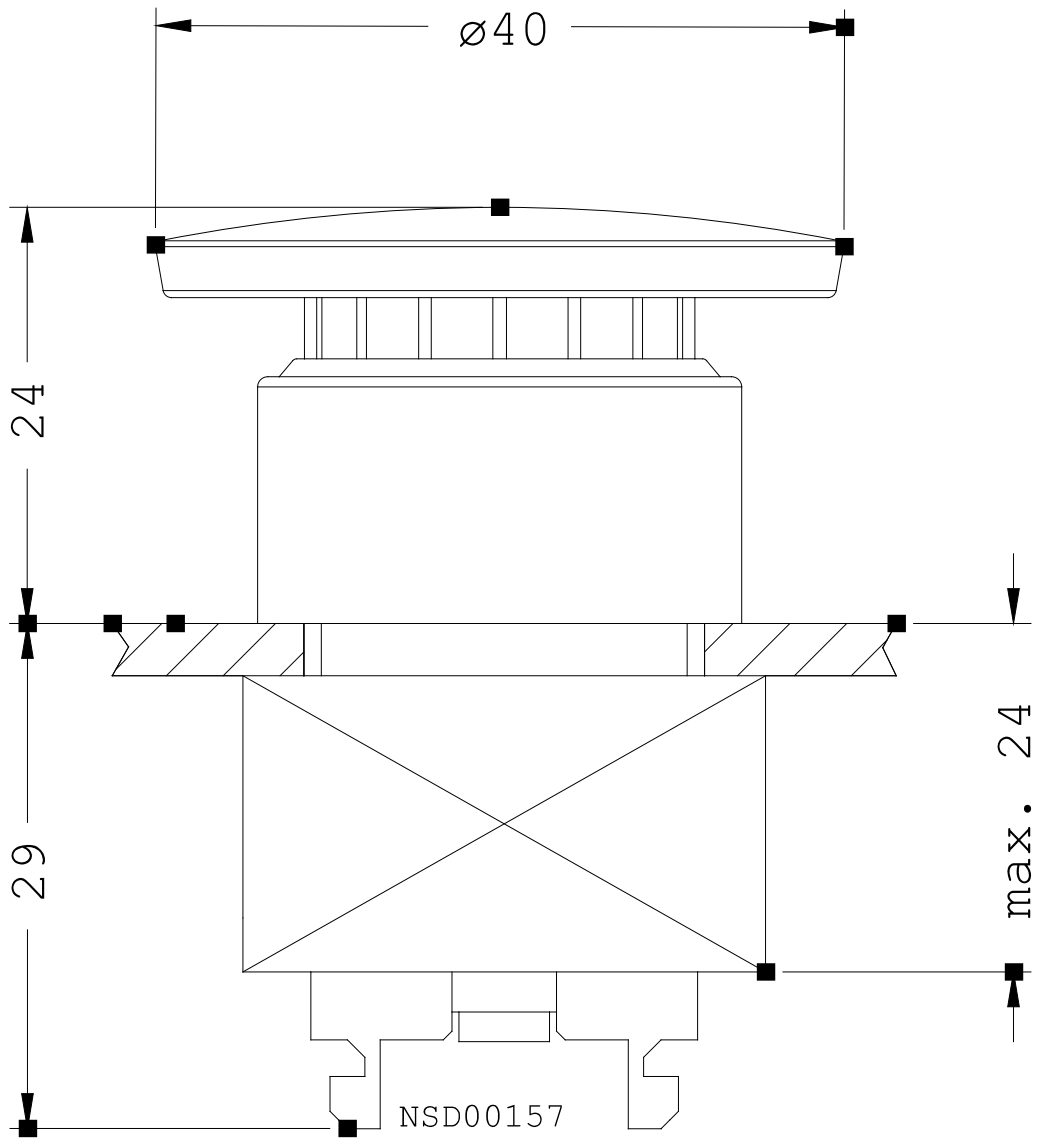
<http://www.siemens.com/cax>

**Service&Support (Manuals, Certificates, Characteristics, FAQs,...)**

<http://support.automation.siemens.com/WW/view/en/3SB3000-1CA21/all>

**Image database (product images, 2D dimension drawings, 3D models, device circuit diagrams, ...)**

[http://www.automation.siemens.com/bilddb/cax\\_en.aspx?mlfb=3SB3000-1CA21](http://www.automation.siemens.com/bilddb/cax_en.aspx?mlfb=3SB3000-1CA21)



last change:

May 16, 2011