



Brand of NTN Group

Technical data

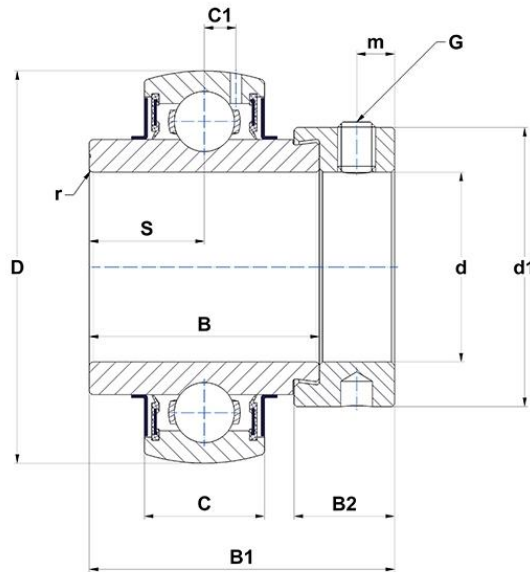
EX309-26G2

Insert bearings



Spherical outer diameter, fixing by eccentric locking collar, seal with slinger

VISUAL (S)



PRODUCT DEFINITION

Brand	SNR
B - Width of Inner Ring	42,9 mm
B1 - Overall width Inner Ring	58,7 mm
B2 - Width of eccentric locking collar/nut	20,6 mm
C - Width of Outer Ring	30 mm
C1 - Distance center of OR to center of lubrication zone	9 mm
d - Shaft diameter	41,275 mm
d1 - Outer dia of eccent. Lock. collar / nut of adapter sleeve	70 mm



NTN Europe

1 rue des Usines · BP 2017 · 74010 Annecy Cedex · France · Tel. +33 (0)4 50 65 30 00
 S.A. au capital de 322 639 919 € · RCS ANNECY B 325 821 072 · Id. Fiscale : FR 48 325 821 072
 SIRET 325 821 072 00015 · Code APE 2815 Z · Code NACE 28.15

PRODUCT DEFINITION

D - Outer diameter of OR	100 mm
G - Set screw size	3/8-24UNF
m - Distance to set screw	8 mm
r - Radius Inner Ring	2
S - Distance front side/bearing centre	19,8 mm
f0 - Factor	13
SW - Wrench size	4,763 mm

PRODUCT PERFORMANCE

C - Dynamic load rating	53000000 mN
C0 - Static load rating	31800000 mN
Operating temperature min.	253,15 °K
Operating temperature max.	373,15 °K

OTHER FEATURES

Mass	1,57 kg
Recommended tightening torque for set screw	16.8 N-m

BEARING FREQUENCIES

BPFO - Over rolling frequency on outer ring (60 rpm)	3.04965986394558 Hz
BPFI - Over rolling frequency on inner (60 rpm)	4.95034013605442 Hz
BSF - Over rolling frequency on rolling element (60 rpm)	3.97143429311596 Hz
BRF - Rotational frequency - rolling element (60 rpm)	1.98571714655798 Hz
FTF - Rotational frequency - cage (60 rpm)	0.381207482993197 Hz

