

# This is how you can assemble your KombiSIGN 70 signal tower

**▶ STEP 1**

Select the required optical or audible elements in the correct voltage.

Many KombiSIGN highlights are also available (for details see page 46).

**Audible Signal Elements**

- Buzzer element
- Siren element
- Vocal element

**Optical Signal Elements**

- (LED) Permanent light
- LED Permanent light ultrabright
- (LED) Flashing light
- LED EVS element
- LED Blinking light
- LED Rotating light
- LED Permanent light element multicolour

**▶ STEP 2**

Select the appropriate mounting option for your application.

**▶ STEP 3**

Select the correct terminal element for your mounting option.

Base Mounting		Tube Mounting	
Terminal element for base mounting Order no. <b>840 085 00</b>	Terminal element M12 Order no. <b>840 850 55</b>	Terminal element for tube mounting Order no. <b>840 080 00</b>	Terminal element M12 Order no. <b>840 860 55</b>

**▶ STEP 4**

Where appropriate, select a base and the desired length (only for tube mounting).

			<p>Tube Ø 25 mm, all anodized Order no.</p> <p>100 mm long <b>975 845 10</b></p> <p>250 mm long <b>975 840 25</b></p> <p>400 mm long <b>975 840 40</b></p> <p>600 mm long <b>975 840 60</b></p> <p>800 mm long <b>975 840 80</b></p> <p>1000 mm long <b>975 840 03</b></p>
Tube with clamp Order no. <b>960 000 18</b>	Adaptor for single hole mounting Order no. <b>960 000 25</b>	Base with integrated tube Order no. <b>975 840 10</b>	<p>Base for Tube, plastic Order no. <b>975 840 90</b></p> <p>Base for Tube, metal Order no. <b>975 840 91</b></p> <p>Foldaway Base Order no. <b>960 000 30</b></p> <p>Foldaway Base Order no. <b>960 009 12</b></p> <p>Tube Ø 25 mm, plastic, only for Foldaway Base, 45 mm long Order no. <b>960 000 31</b></p>

**▶ STEP 5**

Where appropriate, select the bracket and the contact box.

	Contact box for cable exit at side Order no. <b>975 840 01</b>		Contact box with magnetic base and cable exit at side Order no. <b>975 840 04</b>
	Bracket for base mounting Order no. <b>960 000 02</b>		Bracket for base mounting with concealed cable entry Order no. <b>960 000 14</b>
	Bracket for 1-sided mounting Order no. <b>975 840 85</b>		Bracket for tube mounting Order no. <b>960 000 01</b>
	Bracket for 2-sided mounting Order no. <b>975 840 86</b>		Corner fixing bracket Order no. <b>960 000 41</b>
	Corner fixing bracket Order no. <b>960 000 41</b>		

**TIP**

The Signal Devices Site on the Internet: [www.werma.com](http://www.werma.com)

With our new **signal tower configurator** you can put together your own individual signal tower.

# 840

# Terminal Elements for KombiSIGN 70

- Bayonet locking mechanism enables quick and easy assembly of the signal tower
- The ideal solution for every installation



Terminal element with cap

### **i** TECHNICAL SPECIFICATIONS:

Dimensions (Ø x Height):	See below
Lens:	Terminal element: PA-GF, high-impact Cap: PC
Fixing:	Base mounting Tube mounting, for tube Ø 25 mm Bracket mounting (accessory)
Cable entry:	Cable diameter max. 14 mm
Element seal:	Pre-mounted with each module
Protection rating:	IP 54 (with cap)
Number of modules possible:	Max. 5

	<u>Tube mounting</u>	<u>Base mounting</u>
<b>Screw terminal</b>		
Dimensions (Ø x Height):	70 mm x 42,5 mm	70 mm x 42,5 mm
Connection:	Screw terminal max. 2,5 mm <sup>2</sup>	
Voltage:	12-240 V AC/DC	12-240 V AC/DC
	Incl. cap	Incl. cap and seal

<b>NEW</b>	<b>Terminal element M12</b>		
	Dimensions (Ø x Height):	70 mm x 56 mm	70 mm x 50 mm
	Connection:	M12 connector (8 pole)	M12 connector (8 pole)
	Voltage:	12-24 V DC	12-24 V DC
	Current carrying capacity:	≤ 2 A	≤ 2 A
		Incl. cap	Incl. cap and seal
		No UL approval	No UL approval

### **🛒** ORDER SPECIFICATIONS TERMINAL ELEMENTS:

	<u>Tube mounting</u>	<u>Base mounting</u>
Screw terminal	<b>840 080 00</b>	<b>840 085 00</b>
<b>NEW</b> Terminal element M12	<b>840 860 55</b>	<b>840 850 55</b>

### **🏠** ACCESSORIES:

Suitable accessories can be found on page 67.

### **📏** TECHNICAL DIAGRAMS:

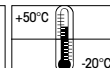
see page 318



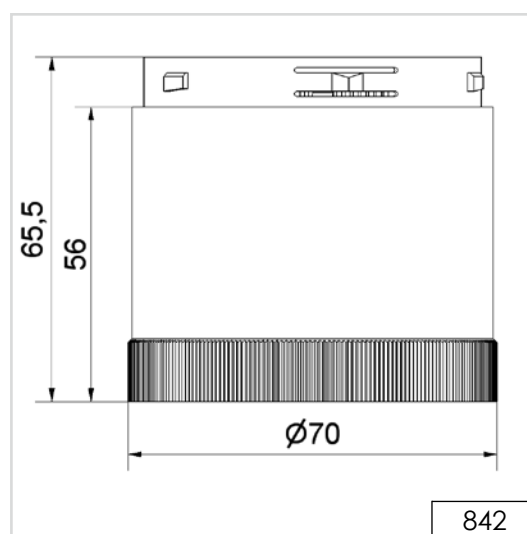
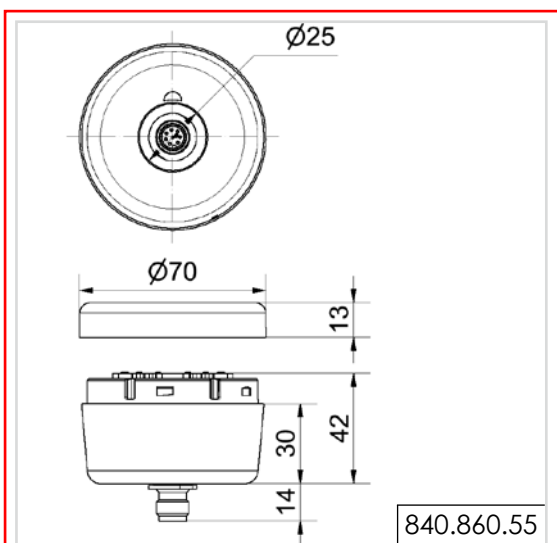
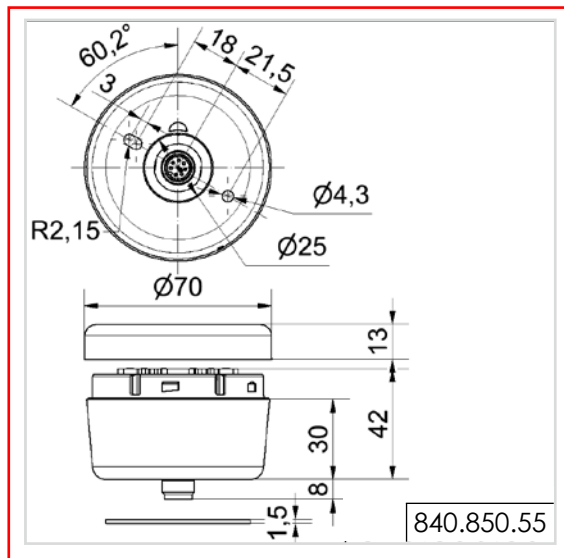
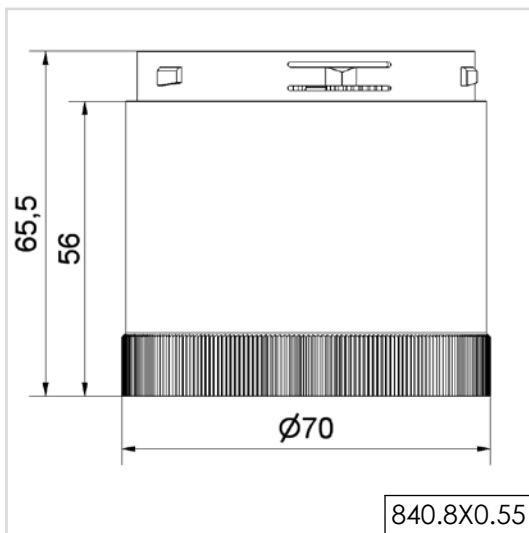
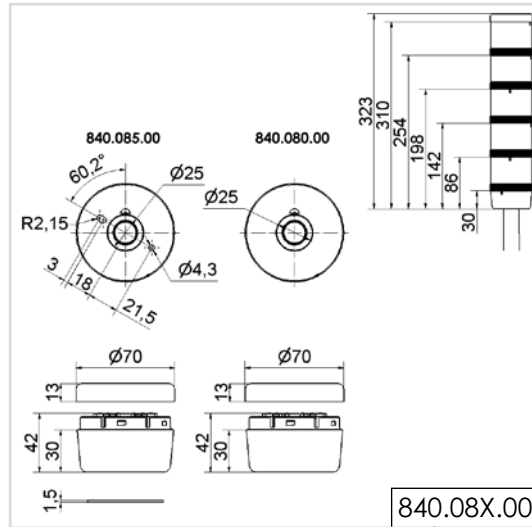
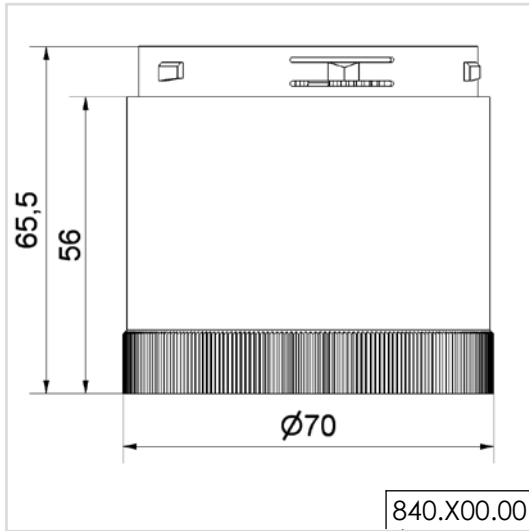
Terminal element with practical M12 connection socket in base

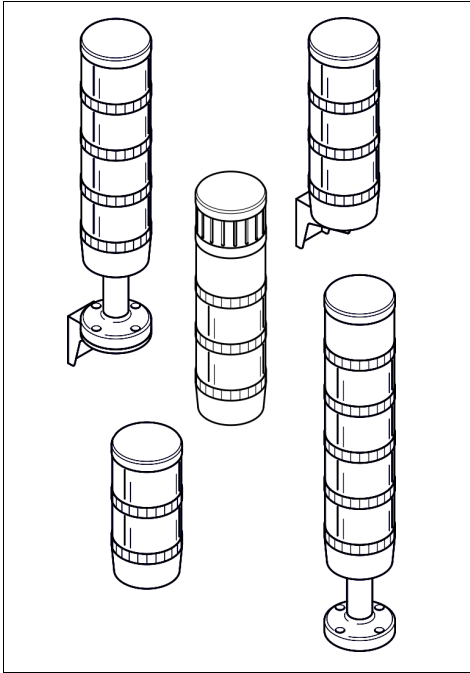
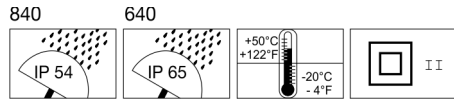
840 08X 00

See note  
on page 347

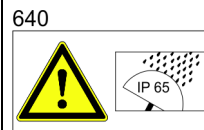
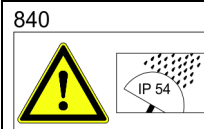
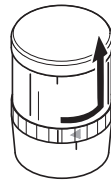



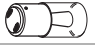
# Technical Diagrams

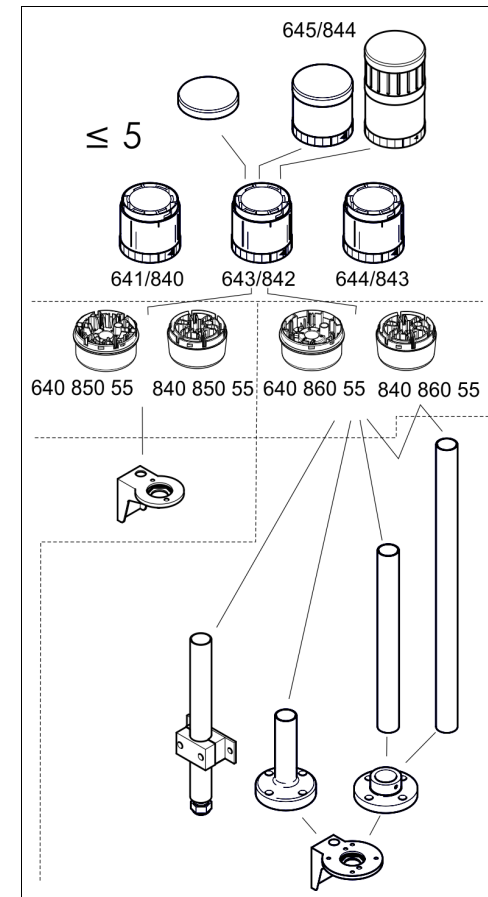




- Ⓓ Anschluss **ausschließlich** durch ausgebildete Elektro-Fachkräfte.
- ⒼⒸ Electrical connection is to be made by trained electrical specialists **only**.
- Ⓕ Le branchement doit **uniquement** être effectué par des professionnels.
- Ⓘ Il collegamento deve essere eseguito **solo** da elettricisti specializzati.
- Ⓔ La conexión **sólo** debe ser realizada por electricistas debidamente formados.
- Ⓗ A ligação deve ser feita **exclusivamente** por profissional eléctrico especializado.
- Ⓝ De aansluiting mag **enkel** gebeuren door erkende vakmensen.
- ⒸⒶ Připojení smí **provádět** pouze kvalifikovaný personál.
- Ⓟ Podłączenie **wyłącznie** przez specjalistów-elektryków.
- Ⓕ Liittäminen kuuluu **ainoastaan** koulutettujen sähköalan ammattilaisten tehtäviin.
- ⓇⓊⓈ Подключение проводится только специалистом-электриком.
- ⒽⒶ Bağlantı **sadece** eğitimli elektrik teknisyenleri tarafından yapılmalıdır.
- ⒸⓃ 布线需由专业电工执行



<b>640 850 55</b>	12 – 24 V=, < 2 A
<b>640 860 55</b>	12 – 24 V=, < 2 A
<b>840 850 55</b>	12 – 24 V=, < 2 A
<b>840 860 55</b>	12 – 24 V=, < 2 A
643 x00 55	24 V=
842 x00 54	12 V=
842 x00 55	24 V=
644 x20 55	24 V=
843 x20 55	24 V≈
644 x00 75	24 V≈
843 x00 55	24 V≈
644 x10 75	24 V≈
843 x10 75	24 V≈
644 x30 75	24 V≈
843 x30 55	24 V=
644 x40 55	24 V=
843 x40 55	24 V=
644 450 55	24 V=
843 450 55	24 V=
644 x80 55	24 V≈
843 x80 55	24 V≈
645 800 75	24 V≈
844 118 55	24 V=
645 820 75	24 V≈
645 850 55	24 V=
645 830 55	24 V= (IP40)
844 123 55	24 V= (IP40)
844 126 55	24 V=
844 126 95	24 V=
645 810 55	24 V=
844 810 55	24 V=
641 x00 00	12 – 240 V=
840 x00 00	12 – 240 V=
	BA 15 d
	
956 x00 75	24 V≈
	
	BA 15 d, < 42 mm
955 840 34	12 V, 5 W, max. 4x
955 840 35	24 V, 5 W
960 000 46	12 – 24 V=, < 2 A, 5 m

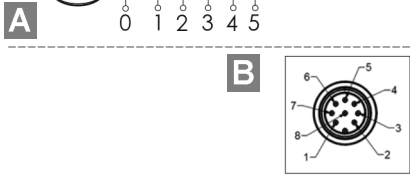
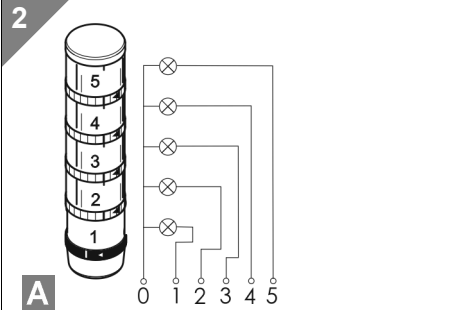
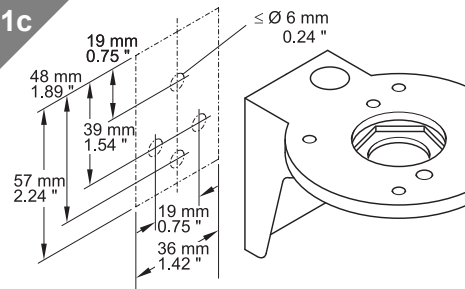
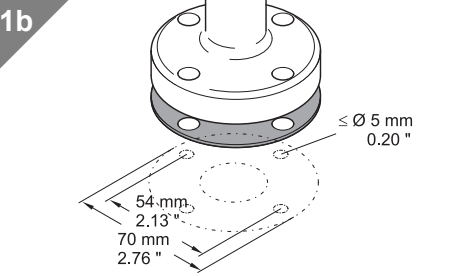
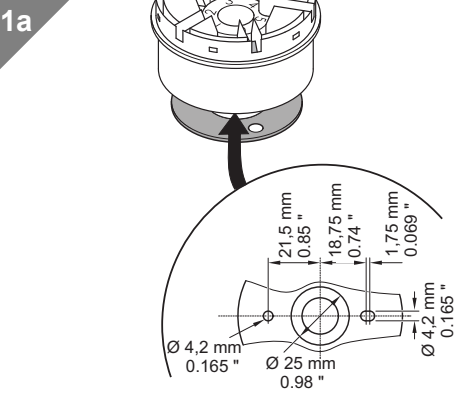


644 x40 55/843 x40 55

- Ⓓ Bei Epilepsie ungeeignet!
- ⒼⒸ Unsuitable for epilepsy sufferers
- Ⓕ Ne convient pas aux personnes souffrant d'épilepsie
- Ⓘ Inadatto per epilettici
- Ⓔ Inadecuado para epilépticos
- Ⓗ Não aconselhavel a pessoas que sofrem de Epilepsia.
- Ⓝ Niet geschikt voor epileptici.
- ⒸⒶ Nevhodné pro epileptiky
- Ⓟ Nie stosować przy zchorzeniu padaczkzi
- Ⓕ Ei sovellu epileptikoille
- ⓇⓊⓈ Не подходит для страдающих эпилепсией
- ⒽⒶ Epilepsi hastalığı olanların kullanmamasi önerilir
- ⒸⓃ 不适用于癫痫病患者

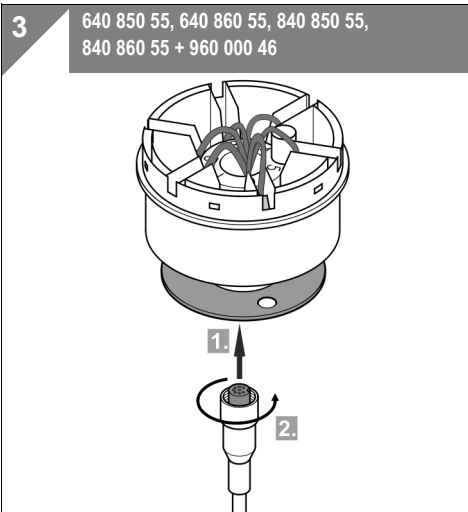


**1**  
 1a - 840 850 55, 640 850 55  
 1b - 975 840 10, 975 840 91  
 1c - 960 000 01, 960 000 02

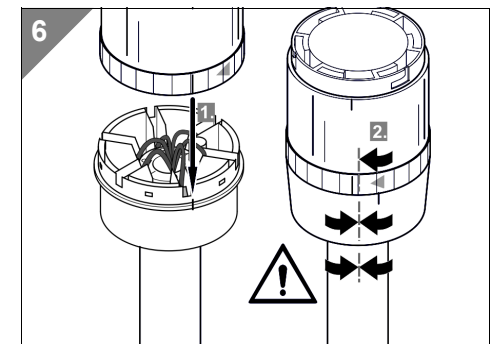
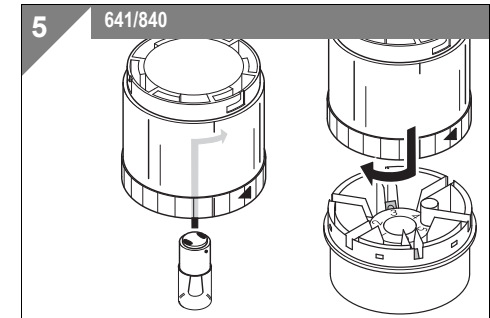
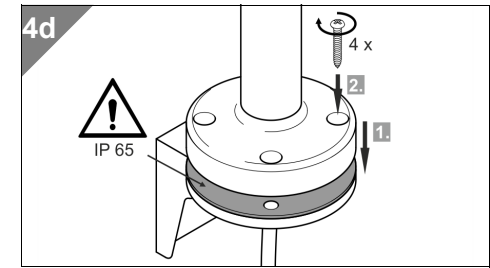
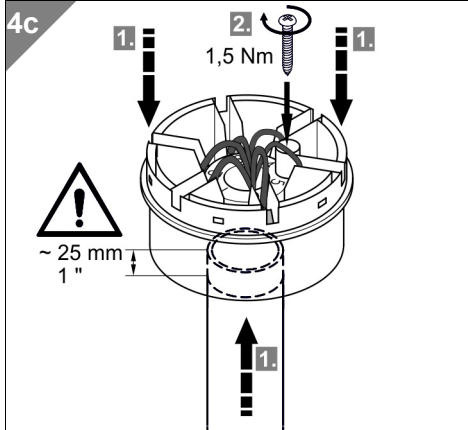
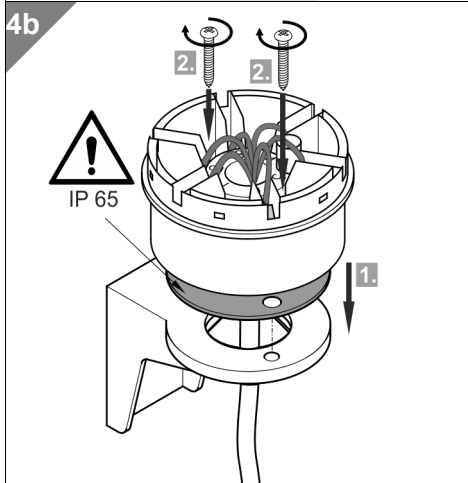
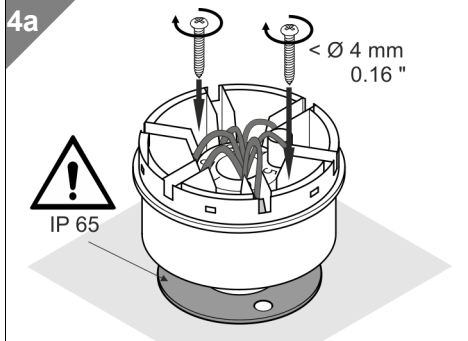


A Anschlussklemme im Anschlusselement	B M12 Anschluss am Anschlusselement
Pin number in the terminal element	M12 Pin number on the terminal element
1	1
2	2
3	3
4	4
5	5
NC	6
0 - GND	7
NC	8

NC = nicht belegt, not connected



**4**  
 4a - 840 850 55, 640 850 55  
 4b - 840 850 55, 640 850 55 + 960 000 02  
 4c - 840 860 55, 640 860 55 + 975 840 10  
 4d - 975 840 10, ..., + 960 000 01



**7**  
 644 450 55/843 450 55

≤3 Farbe, Colour	Montageposition mounting position	Anschluss Nummer, Pin number, (NC = nicht belegt, not connected)		
	C	3	4	5
	B	2	3	4
A	1	2	3	
	rot, red	24 V(+)	NC	NC
	grün, green	NC	24 V(+)	NC
	gelb, yellow	24 V(+)	24 V(+)	NC
	blau, blue	NC	NC	24 V(+)
	klar, clear	24 V(+)	24 V(+)	24 V(+)
	violett, violet	24 V(+)	NC	24 V(+)
	türkis, turquoise	NC	24 V(+)	24 V(+)