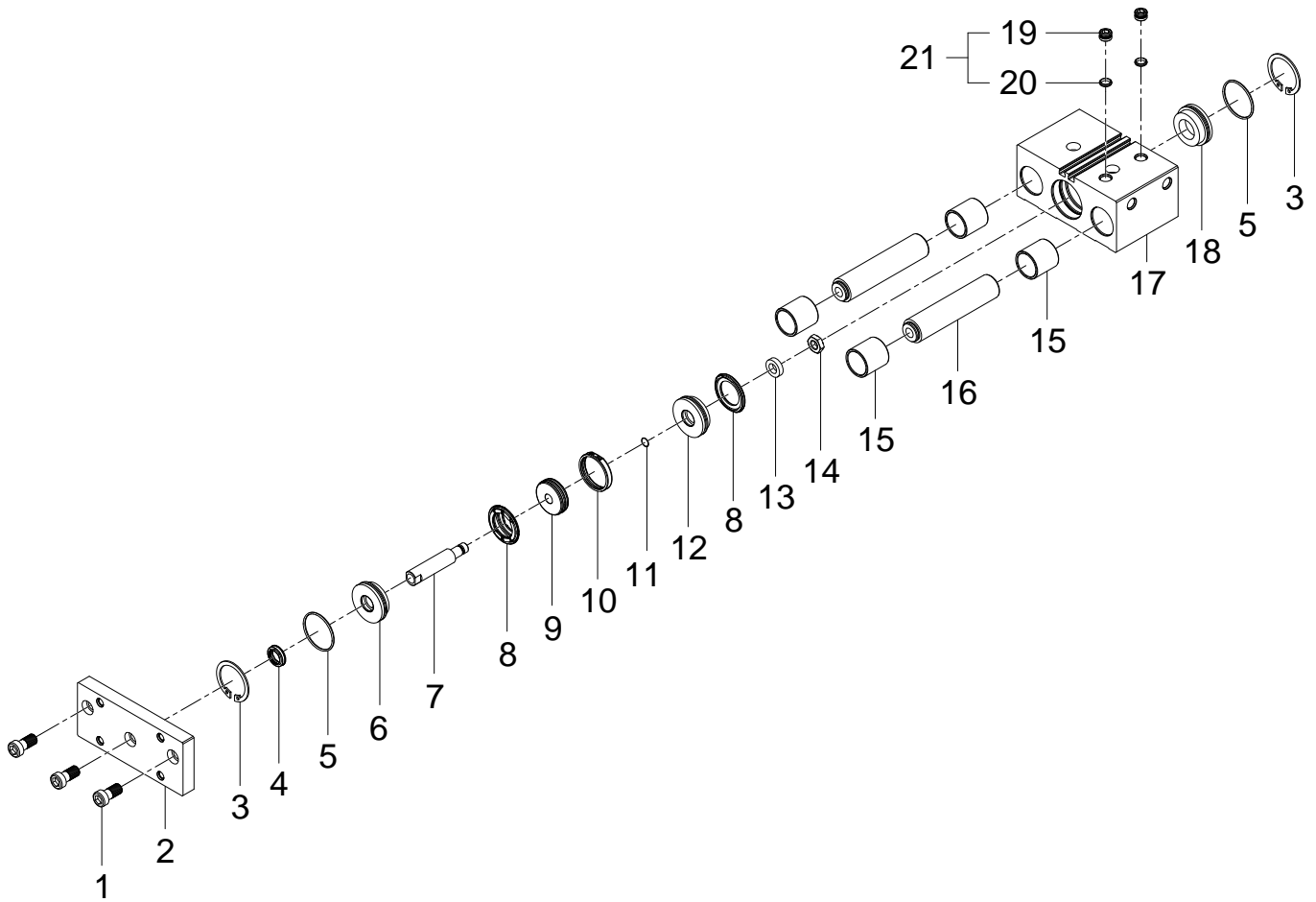


170885 DFM-80-25-P-A-GF Guided drive - Series from 02-2023



## 170885 DFM-80-25-P-A-GF Guided drive - Series from 02-2023

Pos.	Part no.	Type	Note	Qty.	Unit
A	394802	DFM- 80-PA Set of wearing parts	Spare parts: 4, 5, 8, 11, 20 <a href="#">Replacing the wearing parts</a>	1	PC
1	223363	DIN 6912-M12X25-8.8 Socket head screw	Use locking compound 8181256 CYBERBOND TM44 Tightening torque 57 Nm / 42.0 lbf ft	3	PC
2	8140607	DFM-80 End plate		1	PC
3	236749	DIN 472-82X2,5 Retaining ring		2	PC
4		WIFC1-20X25X4,6-TPE-U Wiper seal	Not available separately, see position A Lubricate with 684474 LUB-KC1 during assembly	1	PC
5		B-78X2-N-NBR70 O-ring ISO3601	Not available separately, see position A Lubricate with 684474 LUB-KC1 during assembly	2	PC
6	713455	DFM-80 Bearing cap		1	PC
7	8157552	IRA-20-S0056.7-B Piston rod		1	PC
8		DFM-80 Piston seal	Not available separately, see position A Lubricate with 684474 LUB-KC1 during assembly	2	PC
9		AEVU- 80 Piston magnet	Not available	1	PC
10	338257	76,75X68X5,8 Ring magnet		1	PC
11		B-12X1,5-N-NBR70 O-ring ISO3601	Not available separately, see position A Lubricate with 684474 LUB-KC1 during assembly	1	PC
12		ADVU- 80 Piston	Not available	1	PC
13	338339	DIN 7349-13 Disc		1	PC
14	203968	DIN 439-B-M12X1,25-04 Hex nut	Use locking compound 8181256 CYBERBOND TM44 Tightening torque 45 Nm / 33.2 lbf ft	1	PC
15		DFM-80 Plain bearing	Not available	4	PC
16	8157567	DFM-80-25-GF Guide rod		2	PC
17		DFM-80-25 Housing	Not available Lubricate with 684474 LUB-KC1 during assembly	1	PC
18		DFM- 80- P-A End cap	Not available	1	PC
19		G3/8A Plug screw	Not available separately, see position 21	1	PC
20		12,5X15,3X3,6 Sealing ring	Not available separately, see position 21+999 Lubricate with 684474 LUB-KC1 during assembly	1	PC
21	116517	G3/8 Plug screw		2	PC