



EN

Datasheet

RS PRO NYLON-INSULATED CORD END

TERMINALS

Stock number: 178-7311

MAXIMUM ELECTRIC CURRENT:

A.W.G.	16
AMP.	18

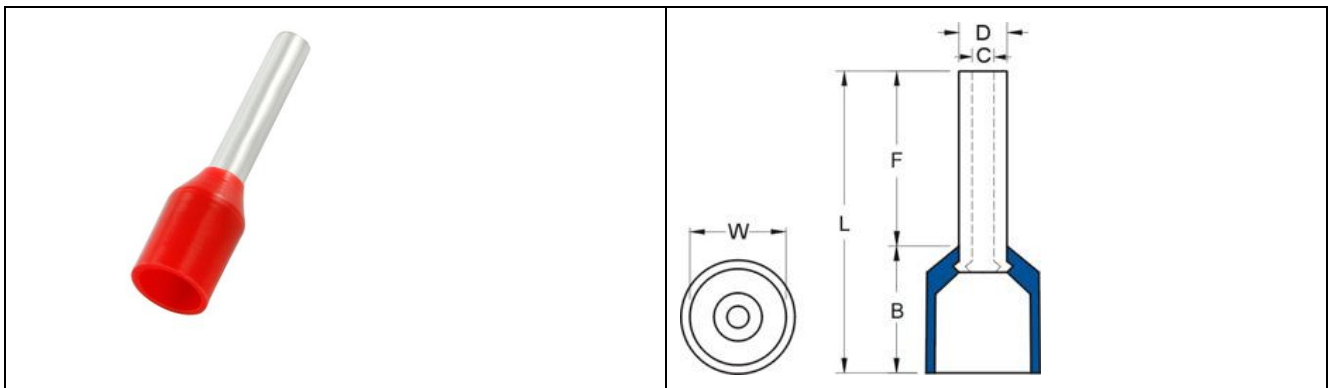
MAXIMUM ELECTRICAL RATING: 105° C 600 VOLTS MAX.

INSULATION MATERIAL: NYLON

TERMINAL MATERIAL: COPPER TUBE

SURFACE TREATMENT: TIN PLATE

INSULATION COLOR: RED



WIRE RANGE A.W.G. mm ²	ITEM NO.	DIMENSION inch(mm)					
		F	L	W	B	D	C
16 A.W.G.	178-7311	0.394	0.63	0.138	0.248	0.079	0.067
1.5 mm ²		10	16	3.5	6.3	2.000	1.7