

Datasheet

Clamp Mount Transformer 2 x 115 V

RS Pro

The Clamp Mount Transformers 6 VA to 50 VA are high quality isolating transformers designed for use in general applications. Both input and output can be connected for double voltage or for double power by series connection or parallel connection. Designed according to the following specifications.

- Low noise laminations
- Double section bobbin construction providing double or re-enforced insulation with the shrouds
- Fully shrouded bobbins
- 2-hole clamp fixing
- Solder tag terminations
- Full varnish impregnation
- Optional terminal shrouds
- Detailed product specification on permanent label
- High efficiency, low regulation design
- 100% electrical and flash tested

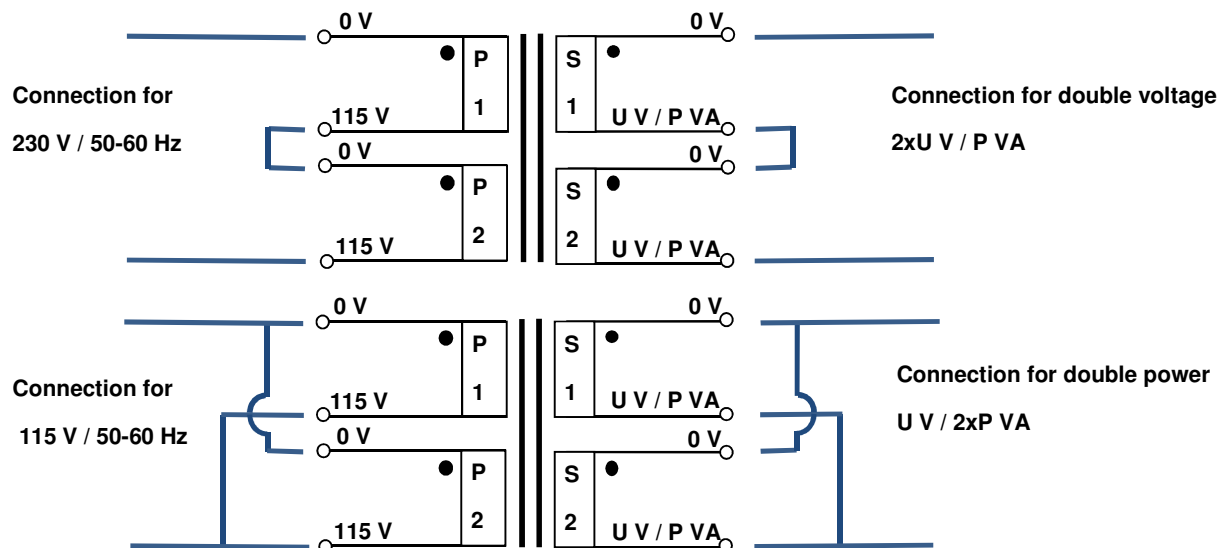


Specifications

Power:	6 – 50 VA
Frequency:	50 / 60 Hz
Primary:	2 x 115 V ac
Secondary:	2x5, 2x 6,2x9, 2x12 , 2x15,2x18,2 x 20 or 2 x 24 V
Isolation:	4 kV RMS
Temp class:	Ta (70°) / B
According to:	EN61558-1 and EN61558-2-6 or EN61558-2-4



Schematic/connection options:



Subject to errors and changes in data sheets.

Ordering details:

RS Stock number	Power VA	Specification	No-load voltage	According to
503994	6	Clamp mounting Transformer, 2x115 V / 2x6 V	8.0 V	EN61558-2-6
503990	6	Clamp mounting Transformer, 2x115 V / 2x9 V	11.7 V	EN61558-2-6
503984	6	Clamp mounting Transformer, 2x115 V / 2x12 V	15.5 V	EN61558-2-6
503972	6	Clamp mounting Transformer, 2x115 V / 2x15 V	19.5 V	EN61558-2-6
503962	6	Clamp mounting Transformer, 2x115 V / 2x24 V	31.8 V	EN61558-2-4
503966	12	Clamp mounting Transformer, 2x115 V / 2x6 V	6.85 V	EN61558-2-6
503978	12	Clamp mounting Transformer, 2x115 V / 2x9 V	10.35 V	EN61558-2-6
503988	12	Clamp mounting Transformer, 2x115 V / 2x12 V	13.6 V	EN61558-2-6
504284	12	Clamp mounting Transformer, 2x115 V / 2x15 V	17.3 V	EN61558-2-6
504268	12	Clamp mounting Transformer, 2x115 V / 2x24 V	27.2 V	EN61558-2-4
504278	20	Clamp mounting Transformer, 2x115 V / 2x6 V	6.95 V	EN61558-2-6
504274	20	Clamp mounting Transformer, 2x115 V / 2x9 V	10.35 V	EN61558-2-6
504280	20	Clamp mounting Transformer, 2x115 V / 2x12 V	13.9 V	EN61558-2-6
504262	20	Clamp mounting Transformer, 2x115 V / 2x15 V	17.5 V	EN61558-2-6
504230	20	Clamp mounting Transformer, 2x115 V / 2x24 V	27.8 V	EN61558-2-4
504240	50	Clamp mounting Transformer, 2x115 V / 2x6 V	6.6 V	EN61558-2-6
504246	50	Clamp mounting Transformer, 2x115 V / 2x9 V	10.0 V	EN61558-2-6
504256	50	Clamp mounting Transformer, 2x115 V / 2x12 V	13.3 V	EN61558-2-6
504252	50	Clamp mounting Transformer, 2x115 V / 2x15 V	16.7 V	EN61558-2-6
504329	50	Clamp mounting Transformer, 2x115 V / 2x24 V	26.7 V	EN61558-2-4

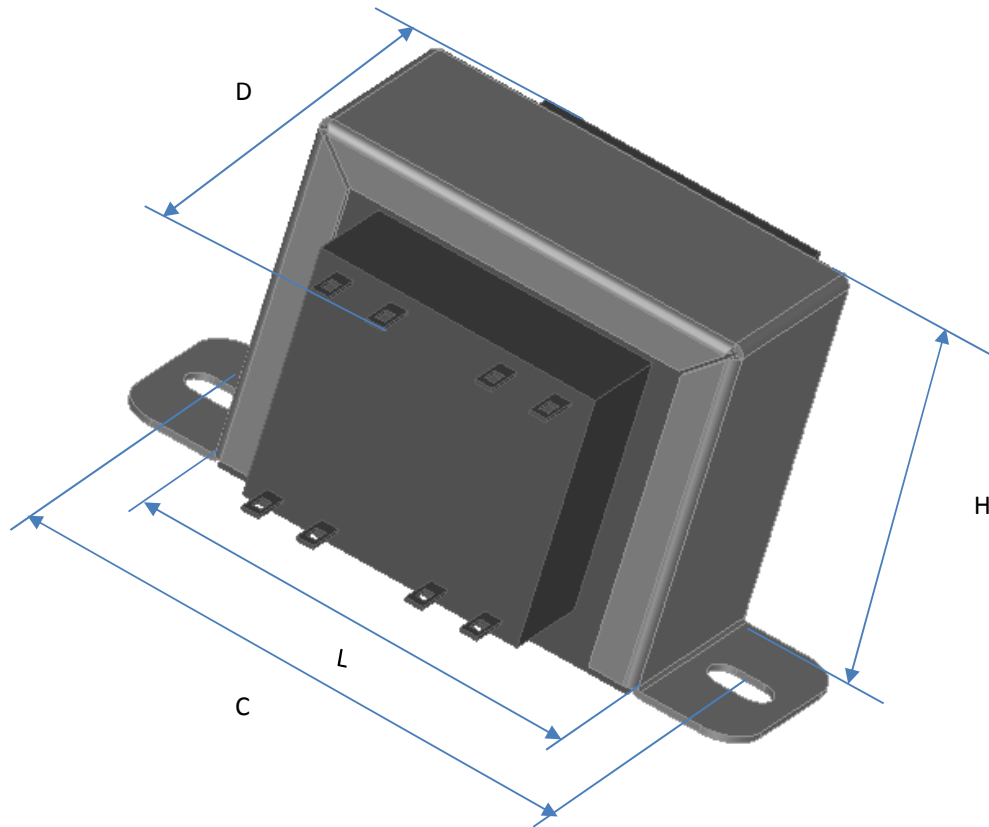
Safety precautions:

Never touch the primary side unless not connected to the mains.

Do not mix primary side and secondary side connections.

For 115 V always use both primary windings in parallel.

Dimensions and fittings:



Power	Overall Size	Fixing		Weight	Efficiency
[VA]	L x D x H [mm]	C [mm]	Slot size	[kg]	%
6	45 x 40 x 37	53.5	4 x 5.5	0.20	> 80 %
12	59 x 50 x 50	70	4.7 x 8.7	0.4	>87%
20	59 x 57 x 50	70	4.7 x 8.7	0.55	> 80 %
50	79 x 62 x 65	92	4.7 x 9.5	1.0	>84%