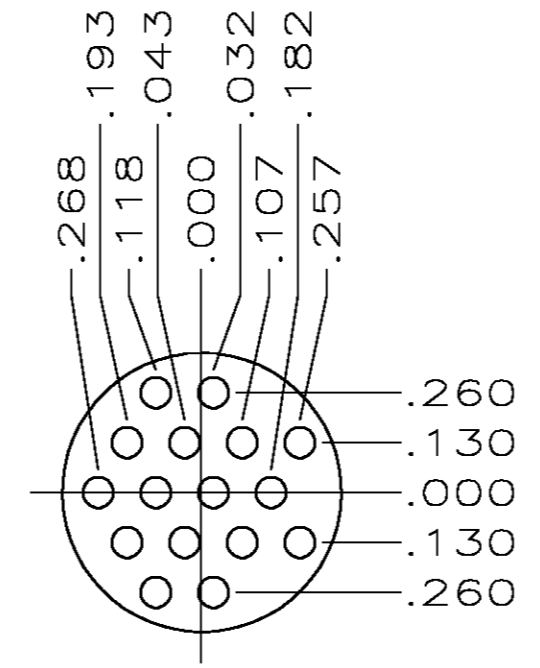
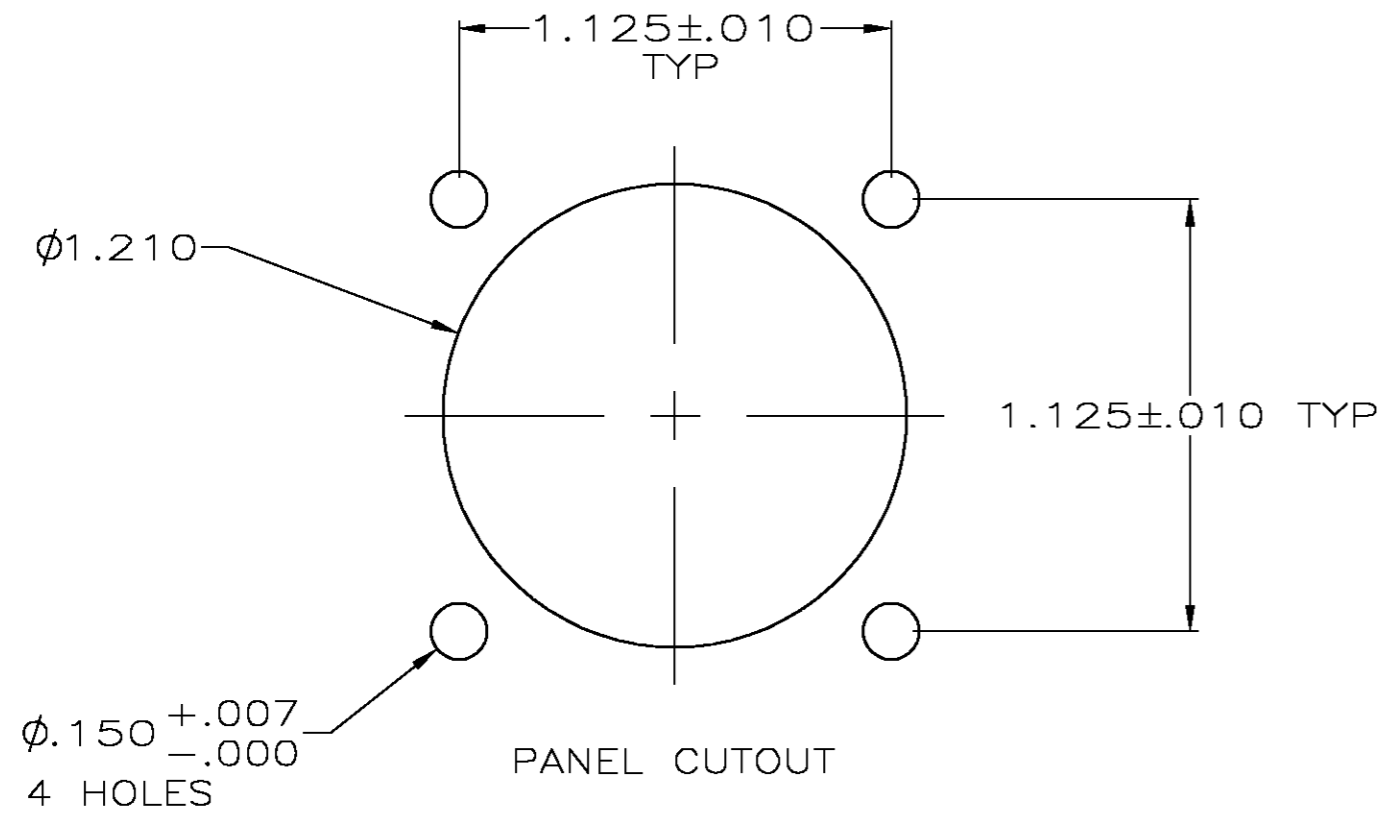
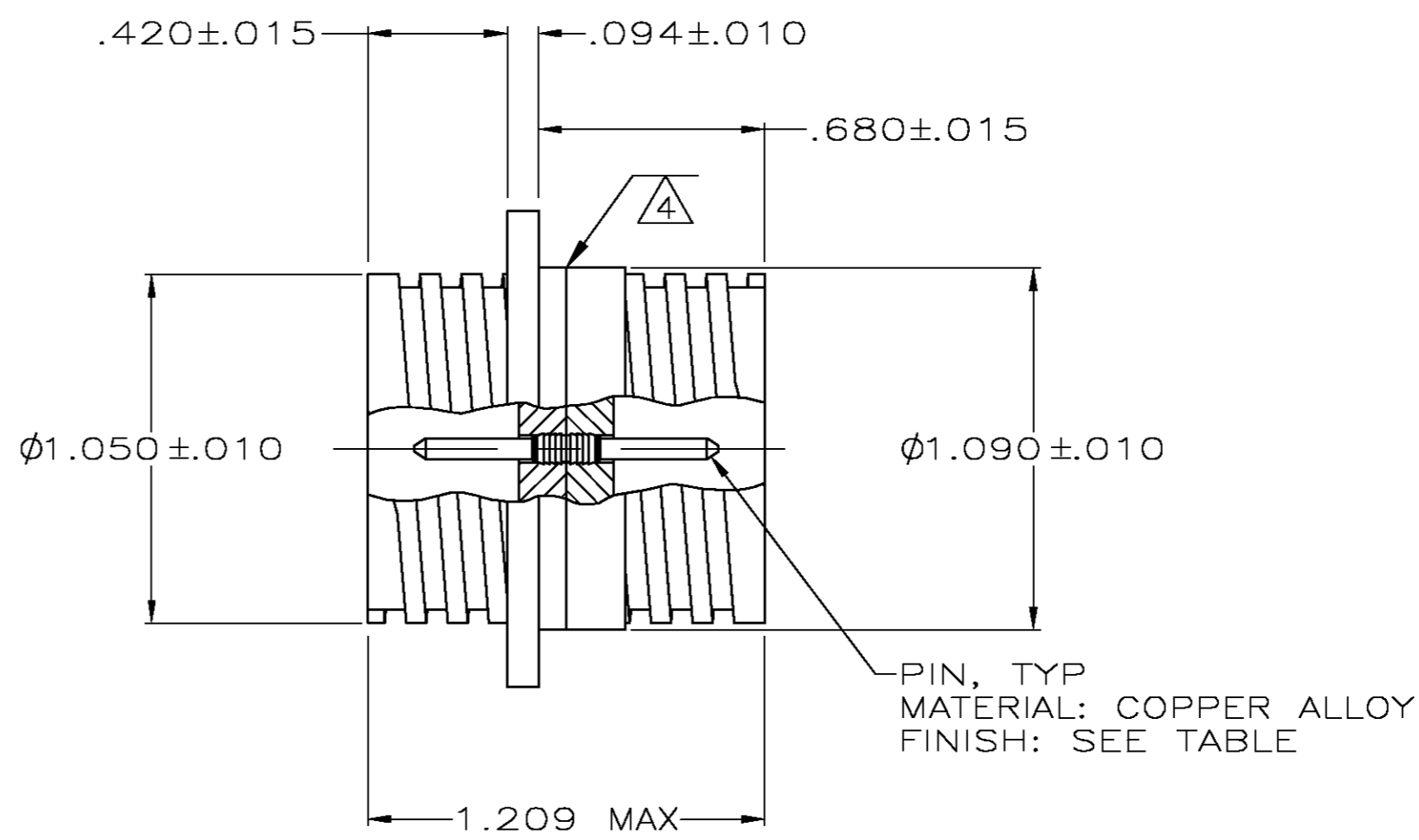
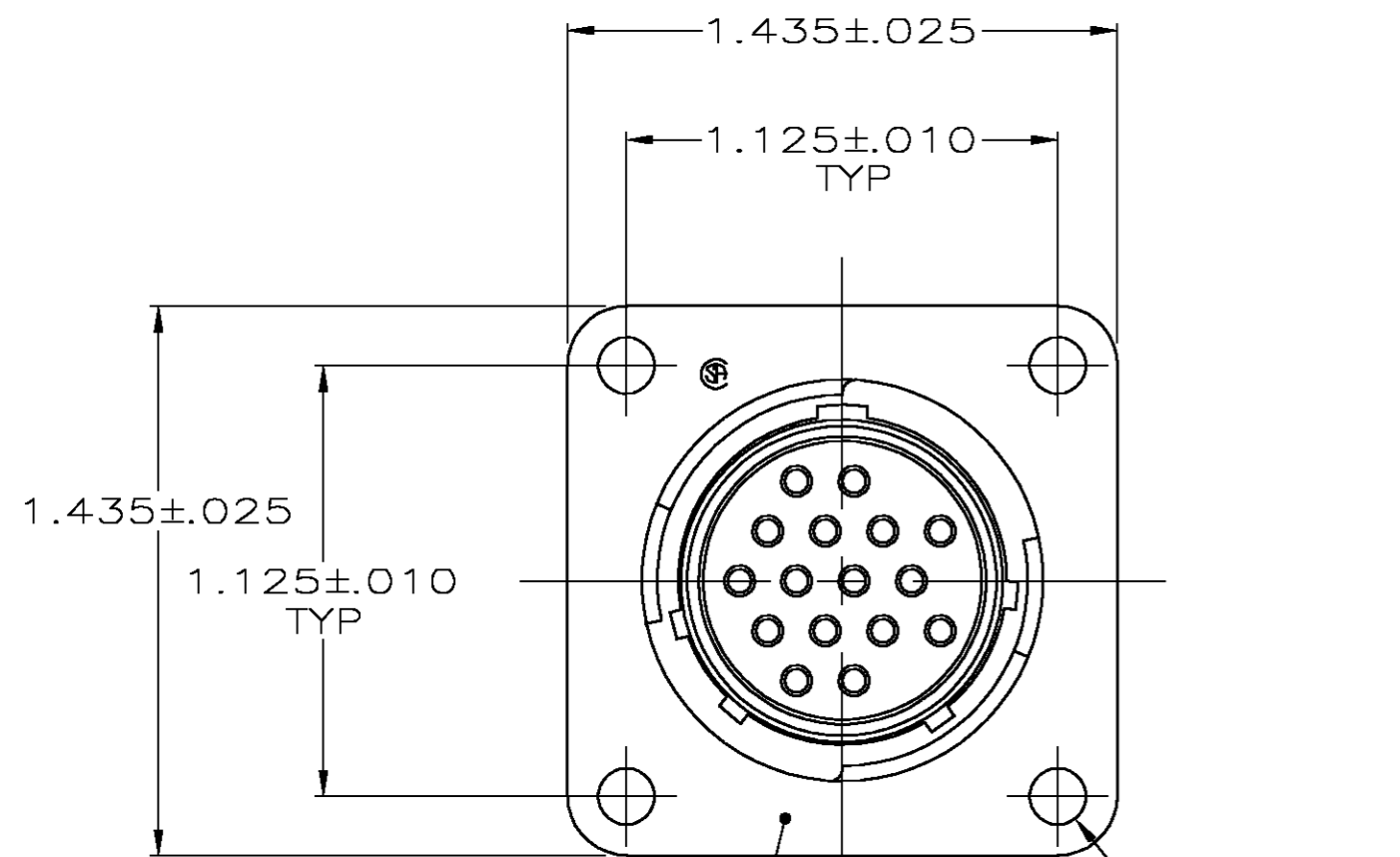


THIS DRAWING IS UNPUBLISHED. RELEASED FOR PUBLICATION  
 © COPYRIGHT BY TYCO ELECTRONICS CORPORATION. ALL RIGHTS RESERVED.

LOC		DIST		REVISIONS			
P	LTR	DESCRIPTION	DATE	DWN	APVD		
FT	0						
G		REVISED PER 0G3B-0548-04	6/22/04	SS	SH		



NOTES:

- ① GOLD OVER NICKEL PLATED
- ② TIN PLATED.
- 3. CONNECTORS ARE FULLY LOADED WITH 16 SIZE 16 PIN CONTACTS PERMANENTLY INSTALLED.
- ④ .012 MAXIMUM GAP PERMISSIBLE BETWEEN CONNECTOR HALVES.

OBSOLETE	②	206552-2
	①	206552-1
CONTACT FINISH		PART NUMBER

THIS DRAWING IS A CONTROLLED DOCUMENT.		DWN	J GALLUCCI BG	5-22-91	 Tyco Electronics Corporation Harrisburg, Pa 17105-3608
DIMENSIONS: INCHES		CHK	W.G.LENKER	4-13-92	
TOLERANCES UNLESS OTHERWISE SPECIFIED:		APVD			NAME
0 PLC ± - 1 PLC ± - 2 PLC ± - 3 PLC ± .005 4 PLC ± - ANGLES ± - FINISH SEE TABLE		PRODUCT SPEC		108-10024	
MATERIAL RCPT: THERMOPLASTIC		APPLICATION SPEC		-	
		WEIGHT	-	SIZE	A2
		CUSTOMER DRAWING		CAGE CODE	00779
		SCALE		DRAWING NO	C=206552
		SHEET		RESTRICTED TO	-
		1 OF 1		REV	G

206552