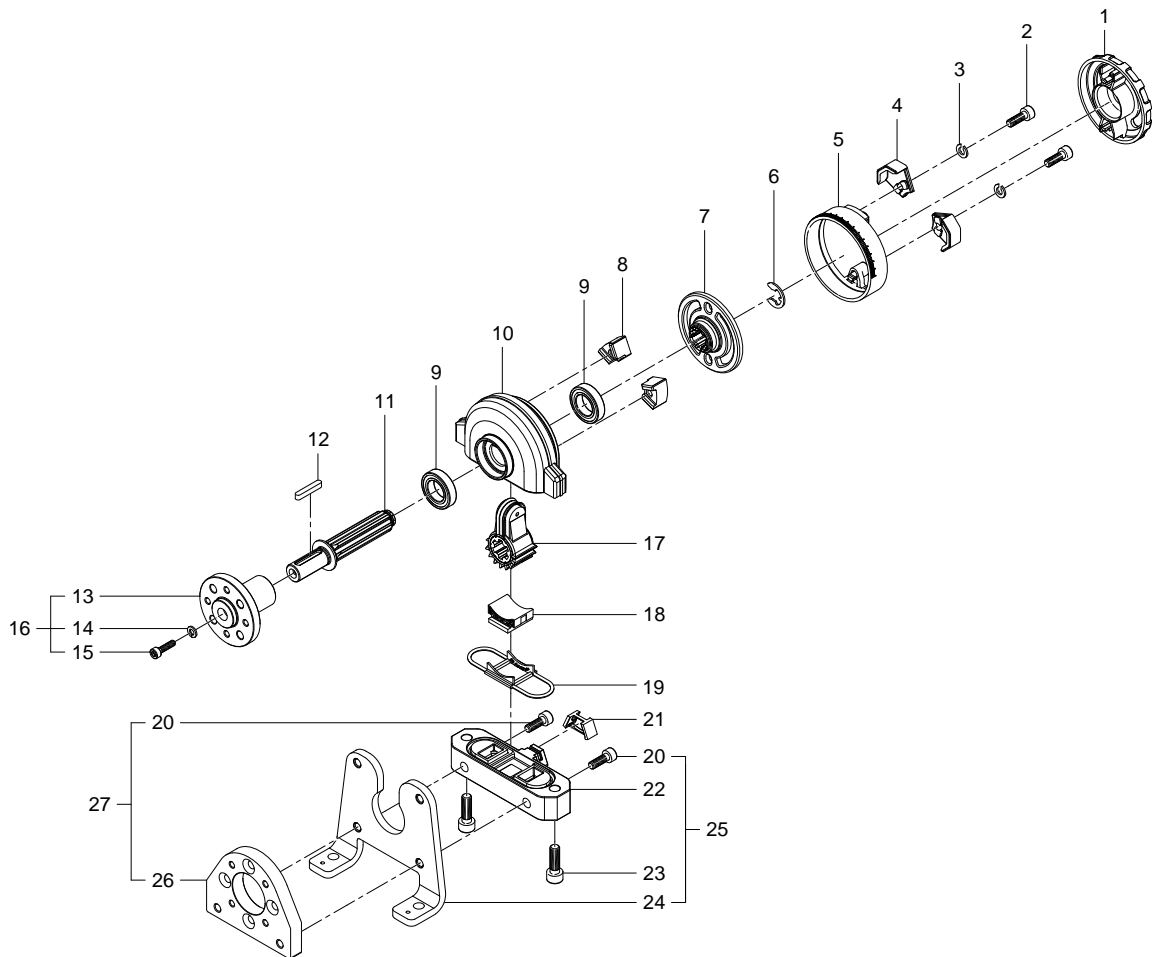


11912 DSR-32-180-P Semi-rotary drive - Series till 09-2006



11912 DSR-32-180-P Semi-rotary drive - Series till 09-2006

| Pos. | Part no. | Type | Note | Qty. | Unit |
|------|----------|--|---|------|------|
| A | 383850 | DSR/L-32-180-P Set of wearing parts | Spare parts: 17, 19, 21 | 1 | PC |
| 1 | 241663 | DSR-32- Cover cap | | 1 | PC |
| 2 | 200689 | ISO 4762-M6X22-10.9 Socket head screw | | 2 | PC |
| 3 | 200585 | DIN 127-B-6 Split washer | | 2 | PC |
| 4 | 241629 | DSR- 32- 180P Trip cam | | 2 | PC |
| 5 | 241665 | DSR- 32- 180P:BEDRUCKT Cover cap | | 1 | PC |
| 6 | 206796 | DIN 6799-15 Retaining washer | Attention, please order position 11 as well | 1 | PC |
| 7 | 242469 | DSR- 32- 180P Disc | | 1 | PC |
| 8 | 234756 | DSR- 32- 180P:ANSCHLAG1 Stop | | 2 | PC |
| 9 | 236478 | D616-61904-2RS Deep groove ball bearing | | 2 | PC |
| 10 | | DSR- 32- 180P Housing | Not available Lubricate with 684474 LUB-KC1 during assembly | 1 | PC |
| 11 | 695676 | DSR-32-180-P Shaft | Attention, please order position 6 as well | 1 | PC |
| 12 | 774085 | A-5X5X36-1.0503+C Feather key DIN6885 | | 1 | PC |
| 13 | | | Not available separately, see position 16 | 1 | PC |
| 14 | 200584 | DIN 127-B-5 Split washer | | 1 | PC |
| 15 | 200671 | ISO 4762-M5X16-10.9 Socket head screw | | 1 | PC |
| 16 | 13241 | FWSR-32 Push-on flange | | 1 | PC |
| 17 | | DSR- 32- 180P Vane module | Not available separately, see position A Lubricate with 684474 LUB-KC1 during assembly | 1 | PC |
| 18 | 235604 | DSR-32-180-P Intermediate piece | | 1 | PC |
| 19 | | DSR- 32- 180P Seal | Not available separately, see position A Lubricate with 684474 LUB-KC1 during assembly | 1 | PC |
| 20 | | ISO 4762-M8X35-8.8 Socket head screw | Not available | 2 | PC |
| 21 | | DSR- 32- 180P Cushioning plate | Not available separately, see position A Lubricate with 684474 LUB-KC1 during assembly | 1 | PC |
| 22 | | DSR- 32- 180 P Sub-base | Not available | 1 | PC |
| 23 | 200693 | ISO 4762-M8X25-10.9 Socket head screw | | 2 | PC |
| 24 | | | Not available separately, see position 25 | 1 | PC |
| 25 | 30926 | HSR-32-FW Foot mounting | | 1 | PC |
| 26 | | | Not available separately, see position 27 | 1 | PC |
| 27 | 13238 | FSR-32 Flange mounting | | 1 | PC |