



power contactor AC-1 400 A / 690 V / 40 °C 3-pole, U<sub>c</sub>: 24 V DC (0.7-1.25) PLC input 24-110 V DC drive: electronic auxiliary contacts 2 NO + 2 NC main circuit: busbar control and auxiliary circuit: spring-loaded terminal extended rated condition railroad IEC 60077

product brand name	SIRIUS
product designation	Power contactor
design of the product	With extended operating range
product type designation	3RT14
<b>General technical data</b>	
size of contactor	S10
product extension	
• function module for communication	No
• auxiliary switch	Yes
power loss [W] for rated value of the current	
• at AC in hot operating state	81 W
• at AC in hot operating state per pole	27 W
• without load current share typical	3.4 W
type of calculation of power loss depending on pole	quadratic
insulation voltage	
• of main circuit with degree of pollution 3 rated value	1 000 V
• of auxiliary circuit with degree of pollution 3 rated value	500 V
surge voltage resistance	
• of main circuit rated value	8 kV
• of auxiliary circuit rated value	6 kV
maximum permissible voltage for protective separation between coil and main contacts according to EN 60947-1	690 V
shock resistance for railway applications according to EN 61373	Category 1, Class B
shock resistance at rectangular impulse	
• at DC	8,5g / 5 ms, 4,2g / 10 ms
shock resistance with sine pulse	
• at DC	13,4g / 5 ms, 6,5g / 10 ms
mechanical service life (operating cycles)	
• of contactor typical	10 000 000
• of the contactor with added electronically optimized auxiliary switch block typical	5 000 000
• of the contactor with added auxiliary switch block typical	10 000 000
reference code according to IEC 81346-2	Q
Substance Prohibitance (Date)	09/06/2016
SVHC substance name	Lead - 7439-92-1 Lead monoxide (lead oxide) - 1317-36-8 2,2',6,6'-tetrabromo-4,4'-isopropylidenediphenol - 79-94-7 6,6'-di-tert-butyl-2,2'-methylene-di-p-cresol - 119-47-1 2-methyl-1-(4-methylthiophenyl)-2-morpholinopropan-1-one - 71868-10-5
Net Weight	6.561 kg
<b>Ambient conditions</b>	

installation altitude at height above sea level maximum	2 000 m
<b>ambient temperature</b>	
• during operation	-40 ... +70 °C
• during storage	-55 ... +80 °C
<b>relative humidity minimum</b>	10 %
<b>relative humidity at 55 °C according to IEC 60068-2-30 maximum</b>	95 %
<b>Main circuit</b>	
<b>number of poles for main current circuit</b>	3
<b>number of NO contacts for main contacts</b>	3
<b>number of NC contacts for main contacts</b>	0
<b>operating voltage</b>	
• at AC-3 rated value maximum	690 V
<b>operational current</b>	
• at AC-1 at 400 V at ambient temperature 40 °C rated value	400 A
• at AC-1	
— up to 690 V at ambient temperature 40 °C rated value	400 A
— up to 690 V at ambient temperature 60 °C rated value	380 A
• at AC-2 at 400 V rated value	138 A
• at AC-3	
— at 400 V rated value	138 A
— at 500 V rated value	138 A
— at 690 V rated value	138 A
<b>minimum cross-section in main circuit</b>	
• at maximum AC-1 rated value	240 mm <sup>2</sup>
• at maximum Ith rated value	240 mm <sup>2</sup>
<b>operational current</b>	
• <b>at 1 current path at DC-1</b>	
— at 24 V rated value	380 A
— at 110 V rated value	33 A
— at 220 V rated value	3.8 A
— at 440 V rated value	0.9 A
— at 600 V rated value	0.6 A
• <b>with 2 current paths in series at DC-1</b>	
— at 24 V rated value	380 A
— at 110 V rated value	380 A
— at 220 V rated value	380 A
— at 440 V rated value	4 A
— at 600 V rated value	2 A
• <b>with 3 current paths in series at DC-1</b>	
— at 24 V rated value	380 A
— at 110 V rated value	380 A
— at 220 V rated value	380 A
— at 440 V rated value	11 A
— at 600 V rated value	5.2 A
• <b>at 1 current path at DC-3 at DC-5</b>	
— at 24 V rated value	380 A
— at 110 V rated value	3 A
— at 220 V rated value	0.6 A
— at 440 V rated value	0.18 A
— at 600 V rated value	0.125 A
• <b>with 2 current paths in series at DC-3 at DC-5</b>	
— at 24 V rated value	380 A
— at 110 V rated value	380 A
— at 220 V rated value	2.5 A
— at 440 V rated value	0.65 A
— at 600 V rated value	0.37 A

<ul style="list-style-type: none"> <li>• with 3 current paths in series at DC-3 at DC-5 <ul style="list-style-type: none"> <li>— at 24 V rated value</li> <li>— at 110 V rated value</li> <li>— at 220 V rated value</li> <li>— at 440 V rated value</li> <li>— at 600 V rated value</li> </ul> </li> </ul>	380 A 380 A 380 A 1.4 A 0.75 A
<b>operating power</b> <ul style="list-style-type: none"> <li>• at AC-2 at 400 V rated value</li> <li>• at AC-3 <ul style="list-style-type: none"> <li>— at 230 V rated value</li> <li>— at 400 V rated value</li> <li>— at 500 V rated value</li> <li>— at 690 V rated value</li> </ul> </li> </ul>	75 kW 97 kW 75 kW 90 kW 132 kW
<b>short-time withstand current in cold operating state up to 40 °C</b> <ul style="list-style-type: none"> <li>• limited to 1 s switching at zero current maximum</li> <li>• limited to 5 s switching at zero current maximum</li> <li>• limited to 10 s switching at zero current maximum</li> <li>• limited to 30 s switching at zero current maximum</li> <li>• limited to 60 s switching at zero current maximum</li> </ul>	5 524 A; Use minimum cross-section acc. to AC-1 rated value 4 579 A; Use minimum cross-section acc. to AC-1 rated value 3 153 A; Use minimum cross-section acc. to AC-1 rated value 1 883 A; Use minimum cross-section acc. to AC-1 rated value 1 445 A; Use minimum cross-section acc. to AC-1 rated value
<b>no-load switching frequency</b> <ul style="list-style-type: none"> <li>• at DC</li> </ul>	700 1/h
<b>operating frequency</b> <ul style="list-style-type: none"> <li>• at AC-1 maximum</li> </ul>	600 1/h
<b>operating frequency</b> <ul style="list-style-type: none"> <li>• at DC-1 maximum</li> </ul>	350 1/h
<b>Ratings for railway applications</b>	
<b>thermal current (I<sub>th</sub>) up to 690 V</b> <ul style="list-style-type: none"> <li>• up to 40 °C according to IEC 60077 rated value</li> <li>• up to 70 °C according to IEC 60077 rated value</li> </ul>	400 A 330 A
<b>Control circuit/ Control</b>	
<b>type of voltage</b>	DC
<b>type of voltage of the control supply voltage</b>	DC
<b>control supply voltage at DC rated value</b>	24 V
<b>operating range factor control supply voltage rated value of magnet coil at DC</b> <ul style="list-style-type: none"> <li>• initial value</li> <li>• full-scale value</li> </ul>	0.7 1.25
<b>consumed current at PLC-control input according to IEC 60947-1 maximum</b>	2 mA
<b>voltage at PLC-control input</b>	24 ... 110 V
<b>design of the surge suppressor</b>	with varistor
<b>closing power of magnet coil at DC</b>	580 W
<b>holding power of magnet coil at DC</b>	3.4 W
<b>closing delay</b> <ul style="list-style-type: none"> <li>• at DC</li> </ul>	45 ... 80 ms
<b>opening delay</b> <ul style="list-style-type: none"> <li>• at DC</li> </ul>	80 ... 100 ms
<b>arcing time</b>	10 ... 15 ms
<b>control version of the switch operating mechanism</b>	PLC-IN or Standard A1 - A2 (adjustable)
<b>Auxiliary circuit</b>	
<b>number of NC contacts for auxiliary contacts</b> <ul style="list-style-type: none"> <li>• instantaneous contact</li> </ul>	2 2
<b>number of NO contacts for auxiliary contacts</b> <ul style="list-style-type: none"> <li>• instantaneous contact</li> </ul>	2 2
<b>operational current at AC-12 maximum</b>	10 A
<b>operational current at AC-15</b> <ul style="list-style-type: none"> <li>• at 230 V rated value</li> <li>• at 400 V rated value</li> <li>• at 500 V rated value</li> </ul>	6 A 3 A 2 A

<b>operational current at DC-12</b>	
<ul style="list-style-type: none"> <li>● at 24 V rated value</li> <li>● at 48 V rated value</li> <li>● at 60 V rated value</li> <li>● at 110 V rated value</li> <li>● at 125 V rated value</li> <li>● at 220 V rated value</li> <li>● at 600 V rated value</li> </ul>	<ul style="list-style-type: none"> <li>10 A</li> <li>6 A</li> <li>6 A</li> <li>3 A</li> <li>2 A</li> <li>1 A</li> <li>0.15 A</li> </ul>
<b>operational current at DC-13</b>	
<ul style="list-style-type: none"> <li>● at 24 V rated value</li> <li>● at 48 V rated value</li> <li>● at 60 V rated value</li> <li>● at 110 V rated value</li> <li>● at 125 V rated value</li> <li>● at 220 V rated value</li> <li>● at 600 V rated value</li> </ul>	<ul style="list-style-type: none"> <li>6 A</li> <li>2 A</li> <li>2 A</li> <li>1 A</li> <li>0.9 A</li> <li>0.3 A</li> <li>0.1 A</li> </ul>
<b>UL/CSA ratings</b>	
<b>full-load current (FLA) for 3-phase AC motor</b>	
<ul style="list-style-type: none"> <li>● at 480 V rated value</li> <li>● at 600 V rated value</li> </ul>	<ul style="list-style-type: none"> <li>156 A</li> <li>144 A</li> </ul>
<b>yielded mechanical performance [hp]</b>	
<ul style="list-style-type: none"> <li>● for 3-phase AC motor <ul style="list-style-type: none"> <li>— at 220/230 V rated value</li> <li>— at 460/480 V rated value</li> <li>— at 575/600 V rated value</li> </ul> </li> </ul>	<ul style="list-style-type: none"> <li>60 hp</li> <li>125 hp</li> <li>150 hp</li> </ul>
<b>contact rating of auxiliary contacts according to UL</b>	A600 / Q600
<b>Short-circuit protection</b>	
design of the miniature circuit breaker for short-circuit protection of the auxiliary circuit up to 230 V	C characteristic: 10 A; 0.4 kA
<b>design of the fuse link</b>	
<ul style="list-style-type: none"> <li>● for short-circuit protection of the main circuit <ul style="list-style-type: none"> <li>— with type of coordination 1 required</li> <li>— with type of coordination 2 required</li> </ul> </li> <li>● for short-circuit protection of the auxiliary switch required</li> </ul>	<ul style="list-style-type: none"> <li>gG: 500 A (690 V, 100 kA)</li> <li>gR: 500 A (690 V, 100 kA)</li> <li>gG: 10 A (500 V, 1 kA)</li> </ul>
<b>Installation/ mounting/ dimensions</b>	
<b>mounting position</b>	with vertical mounting surface +/-90° rotatable, with vertical mounting surface +/- 22.5° tiltable to the front and back
fastening method side-by-side mounting	Yes
<b>fastening method</b>	screw fixing
<b>height</b>	210 mm
<b>width</b>	145 mm
<b>depth</b>	202 mm
<b>required spacing</b>	
<ul style="list-style-type: none"> <li>● with side-by-side mounting <ul style="list-style-type: none"> <li>— forwards</li> <li>— upwards</li> <li>— downwards</li> <li>— at the side</li> </ul> </li> <li>● for grounded parts <ul style="list-style-type: none"> <li>— forwards</li> <li>— upwards</li> <li>— at the side</li> <li>— downwards</li> </ul> </li> <li>● for live parts <ul style="list-style-type: none"> <li>— forwards</li> <li>— upwards</li> <li>— downwards</li> <li>— at the side</li> </ul> </li> </ul>	<ul style="list-style-type: none"> <li>20 mm</li> <li>10 mm</li> <li>10 mm</li> <li>10 mm</li> <li>20 mm</li> <li>10 mm</li> <li>10 mm</li> <li>10 mm</li> <li>20 mm</li> <li>10 mm</li> <li>10 mm</li> <li>10 mm</li> </ul>
<b>Connections/ Terminals</b>	

<b>type of electrical connection</b>	
<ul style="list-style-type: none"> <li>• for main current circuit</li> <li>• for auxiliary and control circuit</li> </ul>	screw-type terminals spring-loaded terminals
<b>width of connection bar</b>	25 mm
<b>thickness of connection bar</b>	6 mm
<b>diameter of holes</b>	11 mm
<b>number of holes</b>	1
<b>type of connectable conductor cross-sections</b>	
<ul style="list-style-type: none"> <li>• for main contacts               <ul style="list-style-type: none"> <li>— solid or stranded</li> </ul> </li> <li>• for AWG cables for main contacts</li> </ul>	2x (70 ... 240 mm <sup>2</sup> ) 2/0 ... 500 kcmil
<b>type of connectable conductor cross-sections</b>	
<ul style="list-style-type: none"> <li>• for auxiliary contacts               <ul style="list-style-type: none"> <li>— solid</li> <li>— solid or stranded</li> <li>— finely stranded with core end processing</li> <li>— finely stranded without core end processing</li> </ul> </li> <li>• for AWG cables for auxiliary contacts</li> </ul>	2x (0.25 ... 2.5 mm <sup>2</sup> ) 2x (0,25 ... 2,5 mm <sup>2</sup> ) 2x (0.25 ... 1.5 mm <sup>2</sup> ) 2x (0.25 ... 2.5 mm <sup>2</sup> ) 2x (24 ... 14)
<b>AWG number as coded connectable conductor cross section for auxiliary contacts</b>	24 ... 14

**Safety related data**

<b>product function</b>	
<ul style="list-style-type: none"> <li>• mirror contact according to IEC 60947-4-1</li> <li>• positively driven operation according to IEC 60947-5-1</li> </ul>	Yes No

**Electrical Safety**

<b>protection class IP on the front according to IEC 60529</b>	IP00; IP20 with box terminal/cover
<b>touch protection on the front according to IEC 60529</b>	finger-safe, for vertical contact from the front with box terminal/cover

**Communication/ Protocol**

<b>product function bus communication</b>	No
---	----

**Approvals Certificates**

<b>Environment</b>	General Product Approval
--------------------	--------------------------

[Environmental Conformations](#)



<b>EMV</b>	<b>Functional Safety</b>	<b>Test Certificates</b>	<b>other</b>
------------	--------------------------	--------------------------	--------------



[Type Examination Certificate](#)

[Type Test Certificates/Test Report](#)

[Special Test Certificate](#)



[Confirmation](#)

<b>other</b>	<b>Railway</b>
--------------	----------------

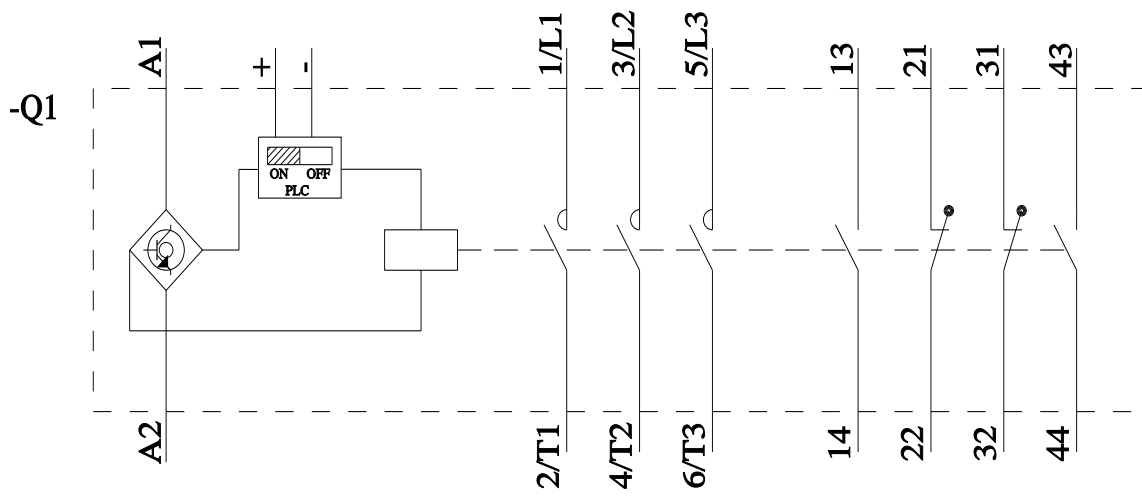
[Miscellaneous](#)

[Special Test Certificate](#)

**Further information**

- Information on the packaging  
<https://support.industry.siemens.com/cs/ww/en/view/109813875>
- Information for data generation and storage  
<https://support.industry.siemens.com/cs/ww/en/view/109995012>
- Information- and Downloadcenter (Catalogs, Brochures,...)  
<https://www.siemens.com/ic10>
- Industry Mall (Online ordering system)  
<https://mall.industry.siemens.com/mall/en/en/Catalog/product?mlfb=3RT1466-2XB46-0LA2>
- Service&Support (Manuals, Certificates, Characteristics, FAQs,...)





last modified:

12/7/2025