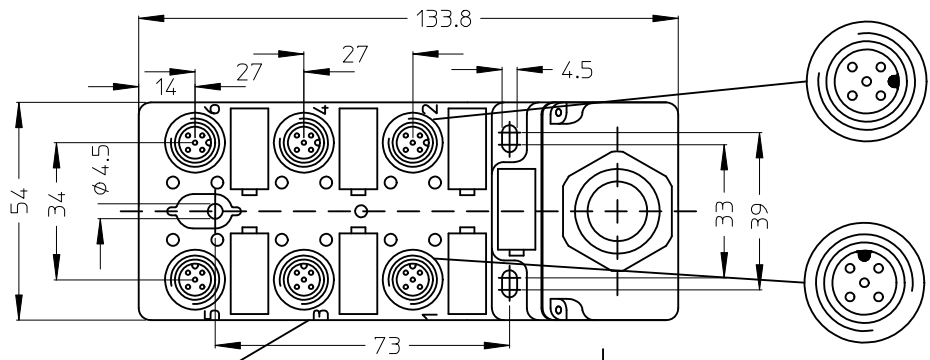
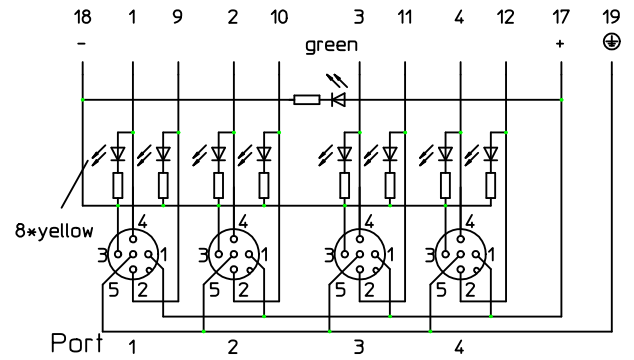
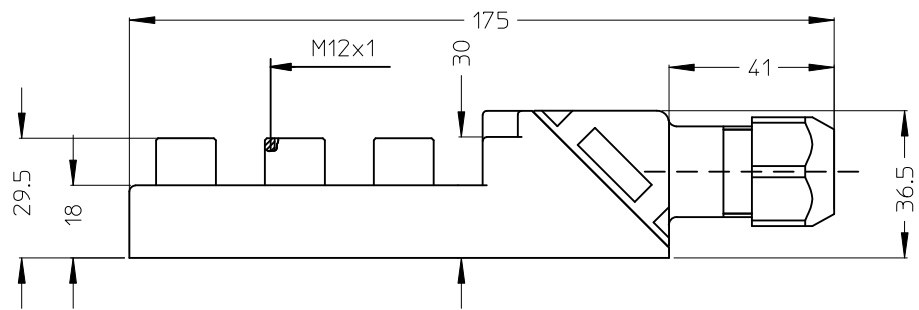
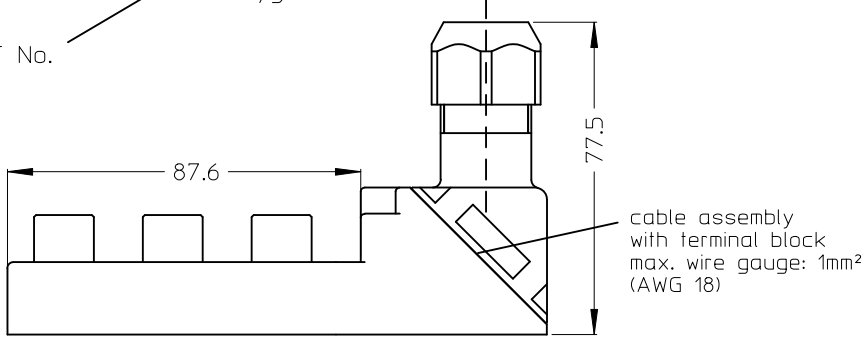


10 9 8 7 6 5 4 3 2 1

SAP-NUMBER	OLD PART NUMBER
1201190012	BKY603P-FBA



PORT No.



Contact configuration	Port	M12 connector Contact-No.	1pol. connector Screw contact-No.
	1	2	9
	1	4	1
	2	2	10
	3	4	2
	3	2	11
	3	4	3
	4	2	12
	4	4	4
	1-4	1	17(+)
	1-4	3	18(-)
	1-4	5	19⊕

CLOSURE CAP

SAP no. 1203090067
QUANTITY 2

VOLTAGE RATING	10 - 30 VDC
AMPERAGE RATING PER PORT	2 A MAX/PORT 6 A MAX. TOTAL
PROTECTION	IP 67
OPERATING TEMPERATURE	-25°C / +90 °C

ITEM	COMPONENT	MATERIAL	FINISH
1	CONTAC SOCKET	BRASS	GOLD OVER NICKEL
2	O-RING	VITON	---
3	RECEPTACLE SHELL	BRASS	NICKEL PLATED
4	HOUSING	PBT	YELLOW
5	LABEL	ABS	WHITE
6	LENS	PA	CLEAR

ENTER DESCRIPTION EC NO: WEU2010-0322 DRWN: APOHL_WEU 2010/02/02 CHKD: 2010/02/03 APPR: FPACHER 2010/02/03	QUALITY SYMBOLS	▽=0 ◻=0
	GENERAL TOLERANCES (UNLESS SPECIFIED)	mm INCH 4 PLACES ± --- ± --- 3 PLACES ± --- ± --- 2 PLACES ± --- ± --- 1 PLACE ± 0.3 ± --- ANGULAR ± ---°
	DIMENSION STYLE	MM ONLY
	DRAWN BY	DATE

DRAFT WHERE APPLICABLE
MUST REMAIN WITHIN DIMENSIONS

CHECKED BY	DATE
APPROVED BY	DATE
MATERIAL NO.	
SIZE	A3

SCALE 1:1 DESIGN UNITS METRIC THIRD ANGLE PROJECTION

TITLE: M12U MPIS BOX 6 PORT 5 POL 45 DEGREE I/O

MOLEX INCORPORATED

DOCUMENT NO. SD-120119-027 SHEET NO. 1 OF 1

THIS DRAWING CONTAINS INFORMATION THAT IS PROPRIETARY TO MOLEX INCORPORATED AND SHOULD NOT BE USED WITHOUT WRITTEN PERMISSION

9 8 7 6 5 4 3 2 1