

**Ordering number CA11929\_LR2-RS**

Family	Leila	FWHM	12 degrees
Type	Assembly	Efficiency	91 %
LED	LUXEON T	cd/lm	12.200
Color	White	Gerber File	Available
Diameter	21.6 mm		
Height	14.3 mm		
Style	Round		
Optic Material	PMMA		
Holder Material	PC		
Fastening	Pin, tape		
Status	Ready		

**Ordering number CA11930\_LR2-D**

Family	Leila	FWHM	14 degrees
Type	Assembly	Efficiency	94 %
LED	LUXEON T	cd/lm	7.000
Color	White	Gerber File	Available
Diameter	21.6 mm		
Height	14.3 mm		
Style	Round		
Optic Material	PMMA		
Holder Material	PC		
Fastening	Pin, tape		
Status	Ready		

**Ordering number CA12629\_LR2-O-90**

Family	Leila	FWHM	14+39 degrees
Type	Assembly	Efficiency	88 %
LED	LUXEON T	cd/lm	4.100
Color	White	Gerber File	Available
Diameter	21.6 mm		
Height	14.5 mm		
Style	Round		
Optic Material	PMMA		
Holder Material	PC		
Fastening	Pin, tape		
Status	Ready		

**Ordering number CA11931\_LR2-M**

Family	Leila	FWHM	25 degrees
Type	Assembly	Efficiency	90 %
LED	LUXEON T	cd/lm	4.400
Color	White	Gerber File	Available
Diameter	21.6 mm		
Height	14.3 mm		
Style	Round		
Optic Material	PMMA		
Holder Material	PC		
Fastening	Pin, tape		
Status	Ready		



## PRODUCT DATASHEET

### Leila series

last update 15/3/2013

PHILIPS  
LUMILEDS

**NOTE: The typical divergence will be changed by different color, chip size and chip position tolerance. The typical total divergence is the full angle measured where the luminous intensity is half of the peak value.**



## PRODUCT DATASHEET

### Leila series

last update 15/3/2013

PHILIPS  
LUMILEDS

#### GENERAL INFORMATION

- Product series especially designed & optimized for LUXEON T series of LEDs.
- Special care taken to make light distribution as uniform as possible.
- Lens material optical grade PMMA with high UV and temperature resistance. Allows use of high current and temperature conditions.

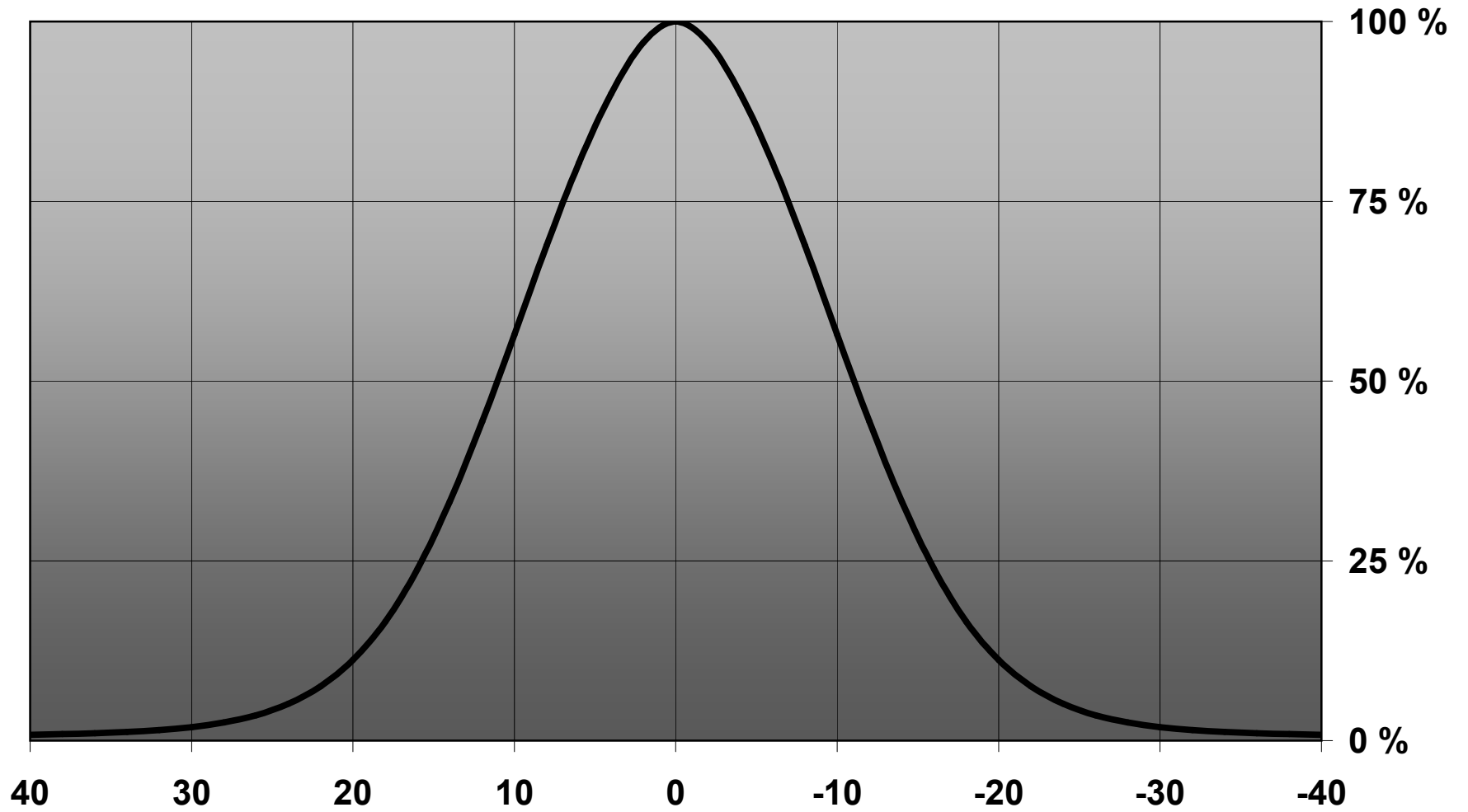
Please find more information about used material from below:

[http://ledil.fi/sites/default/files/Documents/Technical/Material/PMMA%20N%20UL94\\_Yellow%20Card.pdf](http://ledil.fi/sites/default/files/Documents/Technical/Material/PMMA%20N%20UL94_Yellow%20Card.pdf)

<http://ledil.fi/sites/default/files/Documents/Technical/Material/PMMA%20N%20PLEXIGLAS-Datasheet.pdf>

- Optic holder molded by high quality PC material (120 degrees of Celcius / 248 degrees of Fahrenheit).

# Relative intensity of CA11931\_LR2-ES-M

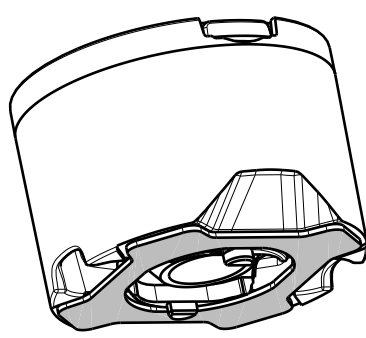


D

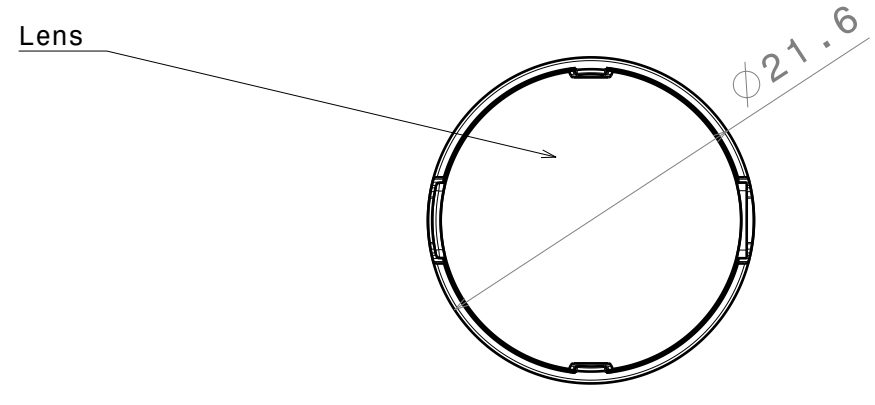
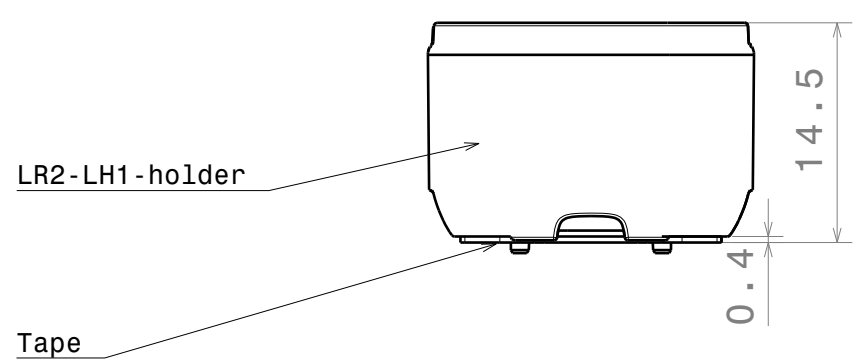
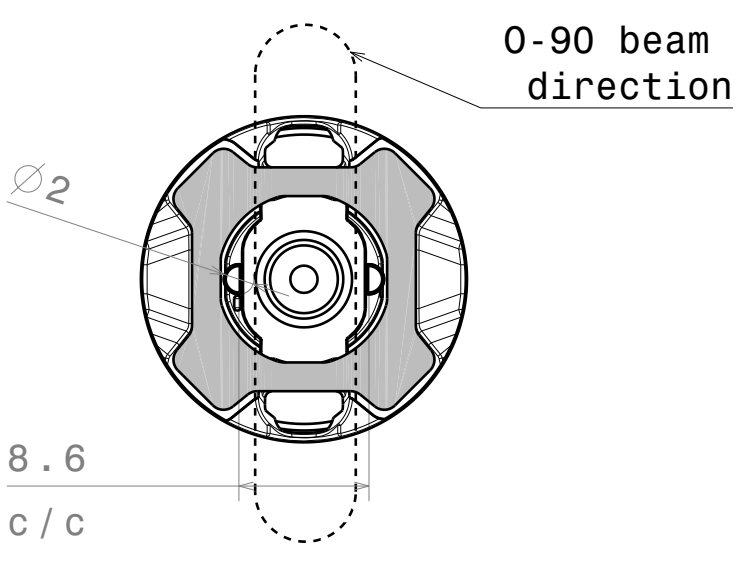
C

B

A



Isometric view



Materials:  
 Lens: PMMA  
 Holder: PC white  
 Tape: PU FOAM

This drawing is our property.  
 It can't be reproduced  
 or communicated without  
 our written agreement.



Ledil Oy  
 Salorankatu 10  
 FIN-24100 SALO  
 Finland

DRAWING TITLE

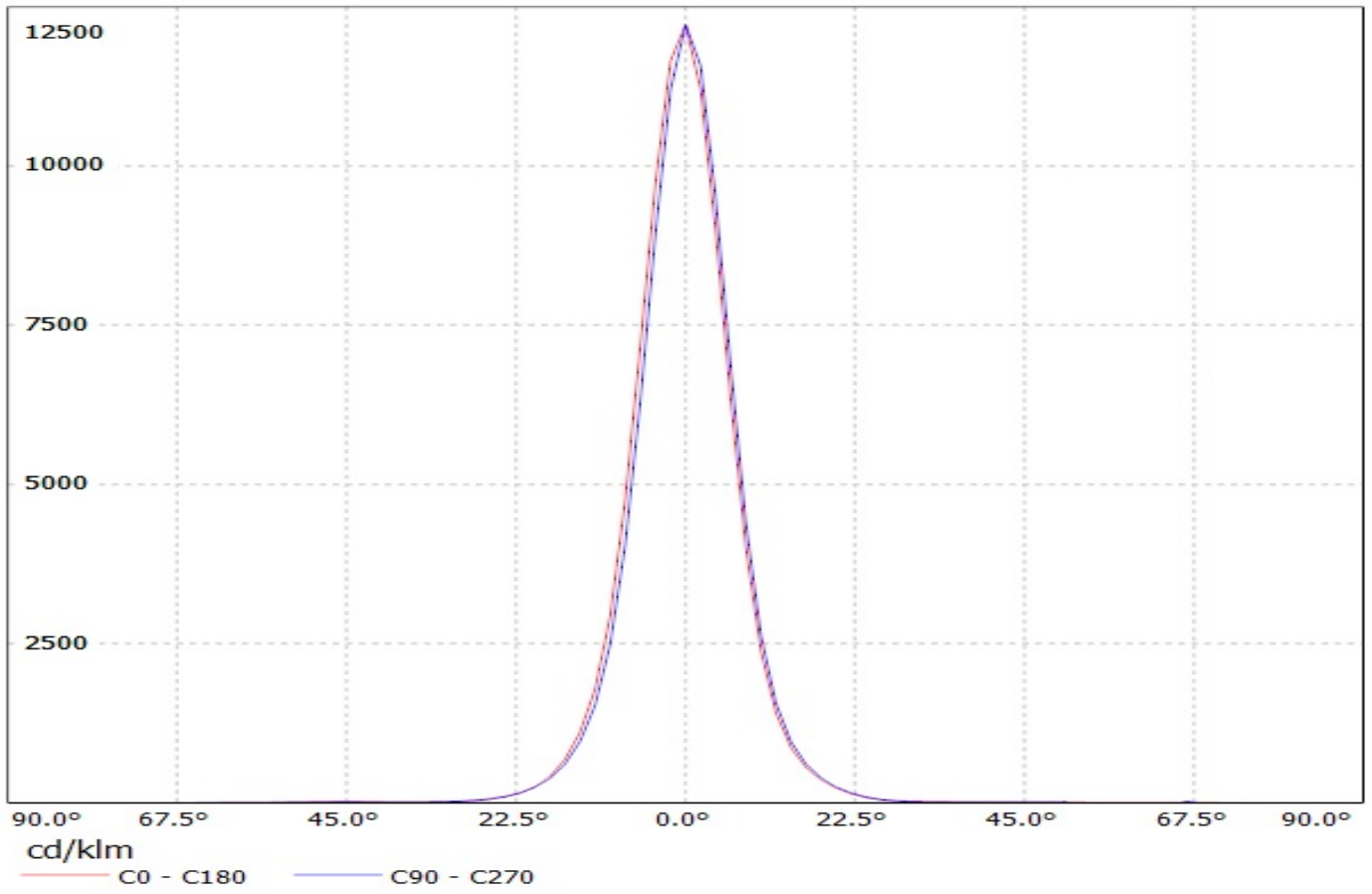
Datasheet LR2-ES series

<b>DRAWN BY</b> ah	<b>DATE</b> 27.1.2012	<b>SIZE</b> A4			<b>DRAWING NUMBER</b>		<b>REV</b> 3
<b>CHECKED BY</b> sn	<b>DATE</b> 27.1.2012	<b>SCALE</b> 1:1		<b>WEIGHT (g)</b>		<b>SHEET</b> 1/1	
<b>DESIGNED BY</b> pl	<b>DATE</b> 27.08.2010						

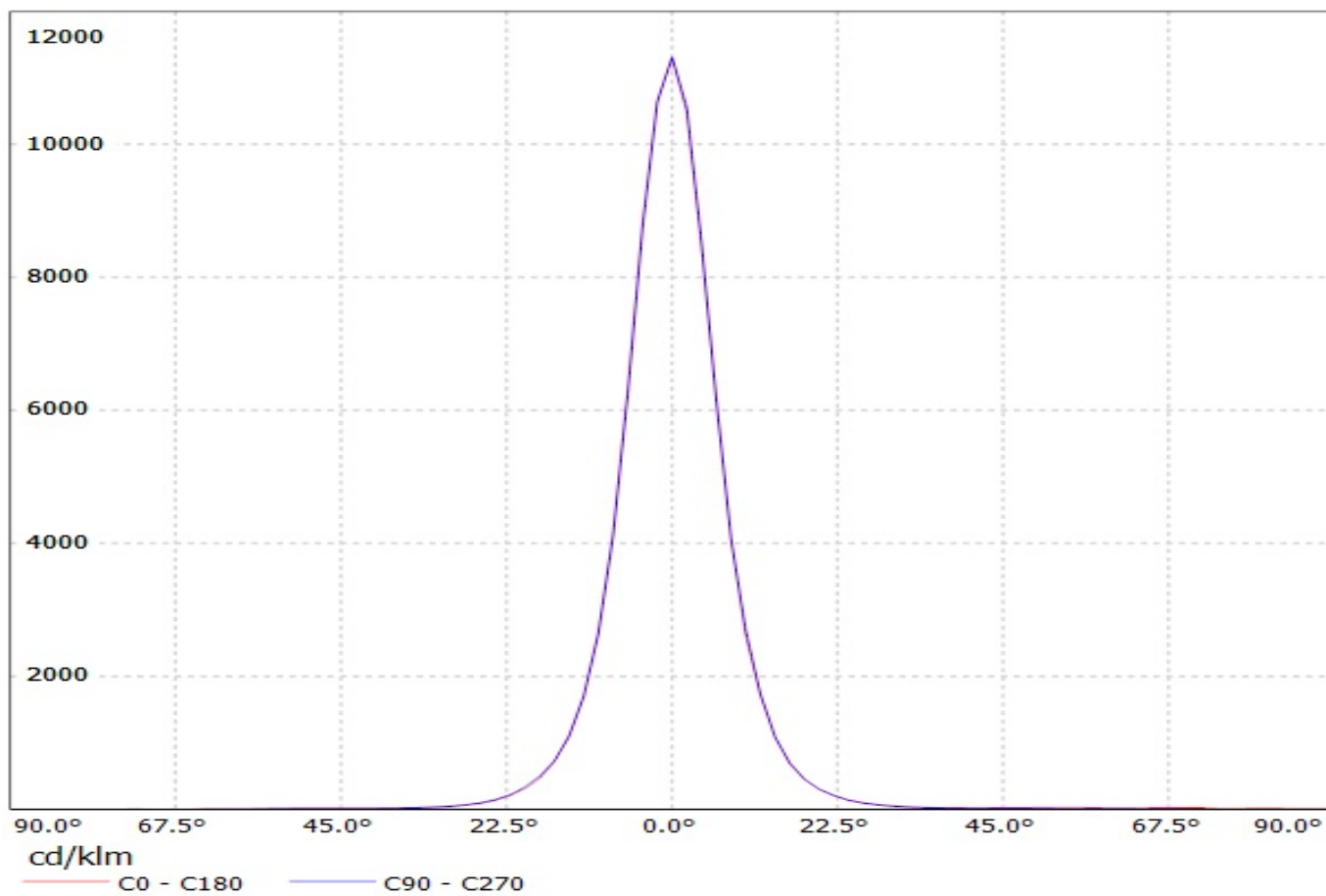
D

A

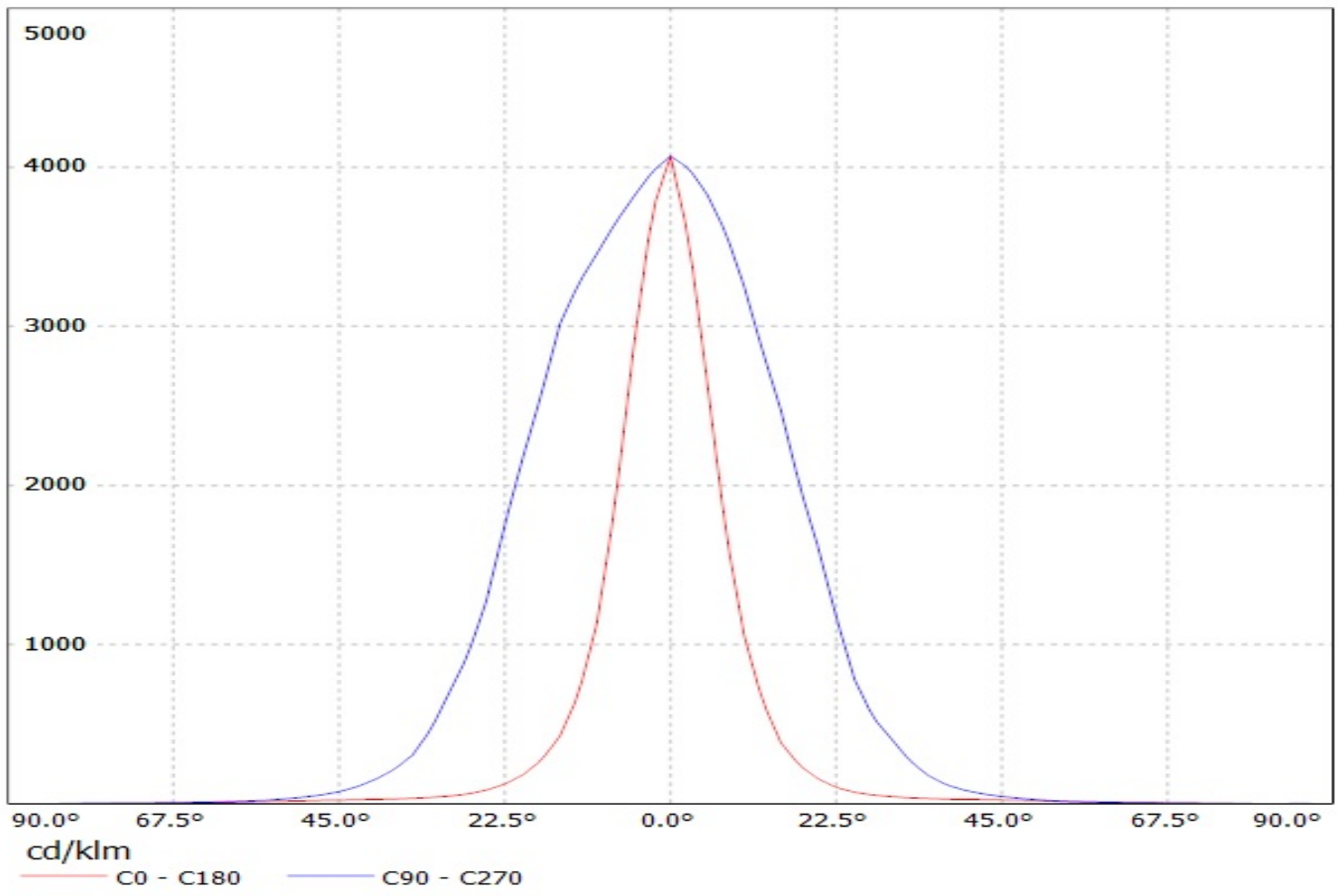
Luminaire: Ledil Oy CA11929\_LR2-RS (Luxeon T 72 lm @ 250mA) Efficiency= 91%  
Lamps: 1 x Luxeon T 72 lm @ 250mA



Luminaire: Ledil Oy CA11930\_LR2-D (Luxeon T 72lm @ 250mA) Efficiency=94%  
Lamps: 1 x Luxeon T 72lm @ 250mA

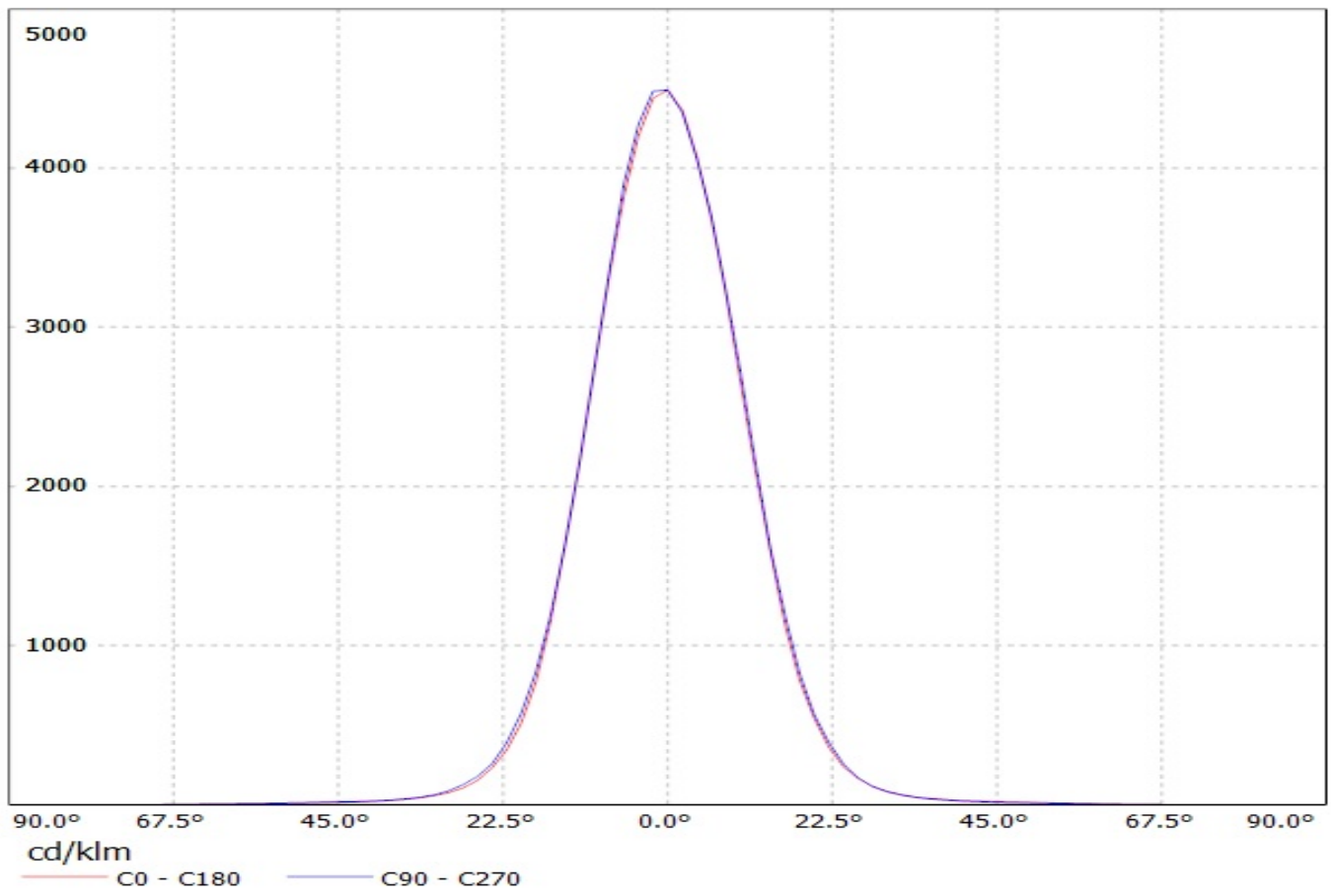


Luminaire: Ledil Oy CA12629\_LR2-O-90 (Luxeon T 72 lm @ 250mA) Efficiency= 88%  
Lamps: 1 x Luxeon T 72 lm @ 250 mA

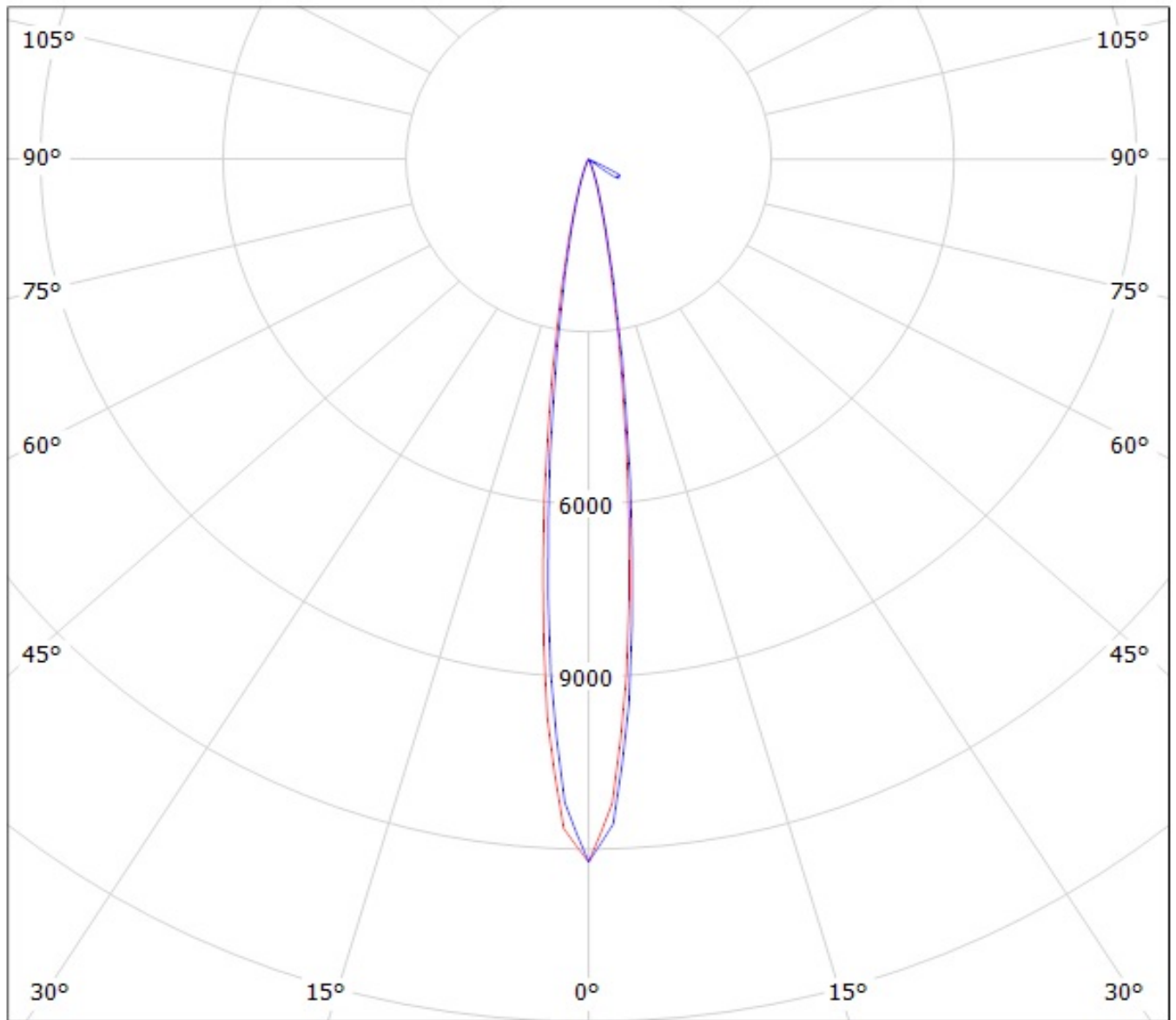




Luminaire: Ledil Oy CA11931\_LR2-M (Luxeon T 72 Im 2 250 mA) Efficiency=90%  
Lamps: 1 x Luxeon T 72 Im 2 250 mA



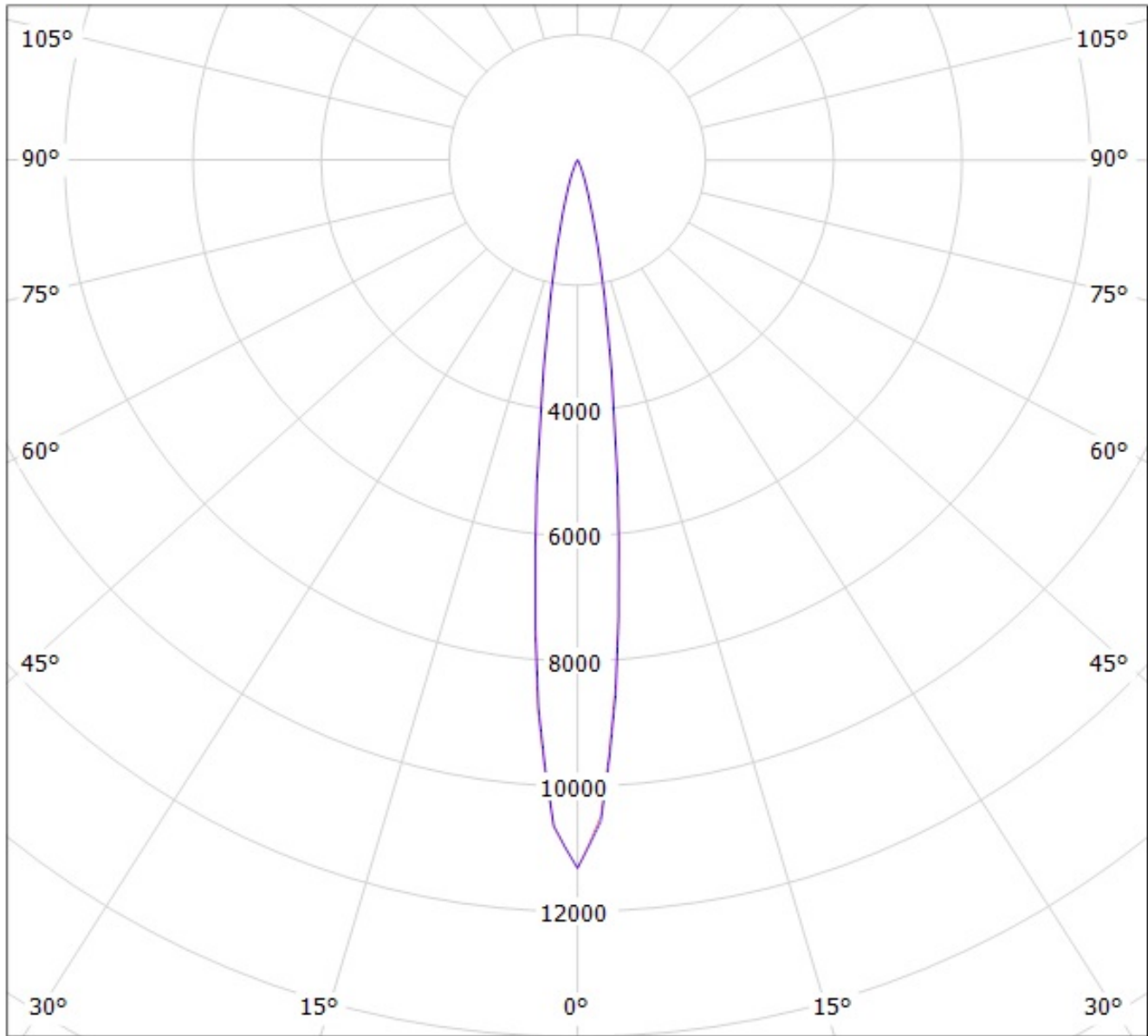
Luminaire: Ledil Oy CA11929\_LR2-RS (Luxeon T 72 lm @ 250mA) Efficiency= 91%  
Lamps: 1 x Luxeon T 72 lm @ 250mA



cd/klm

— C0 - C180    — C90 - C270

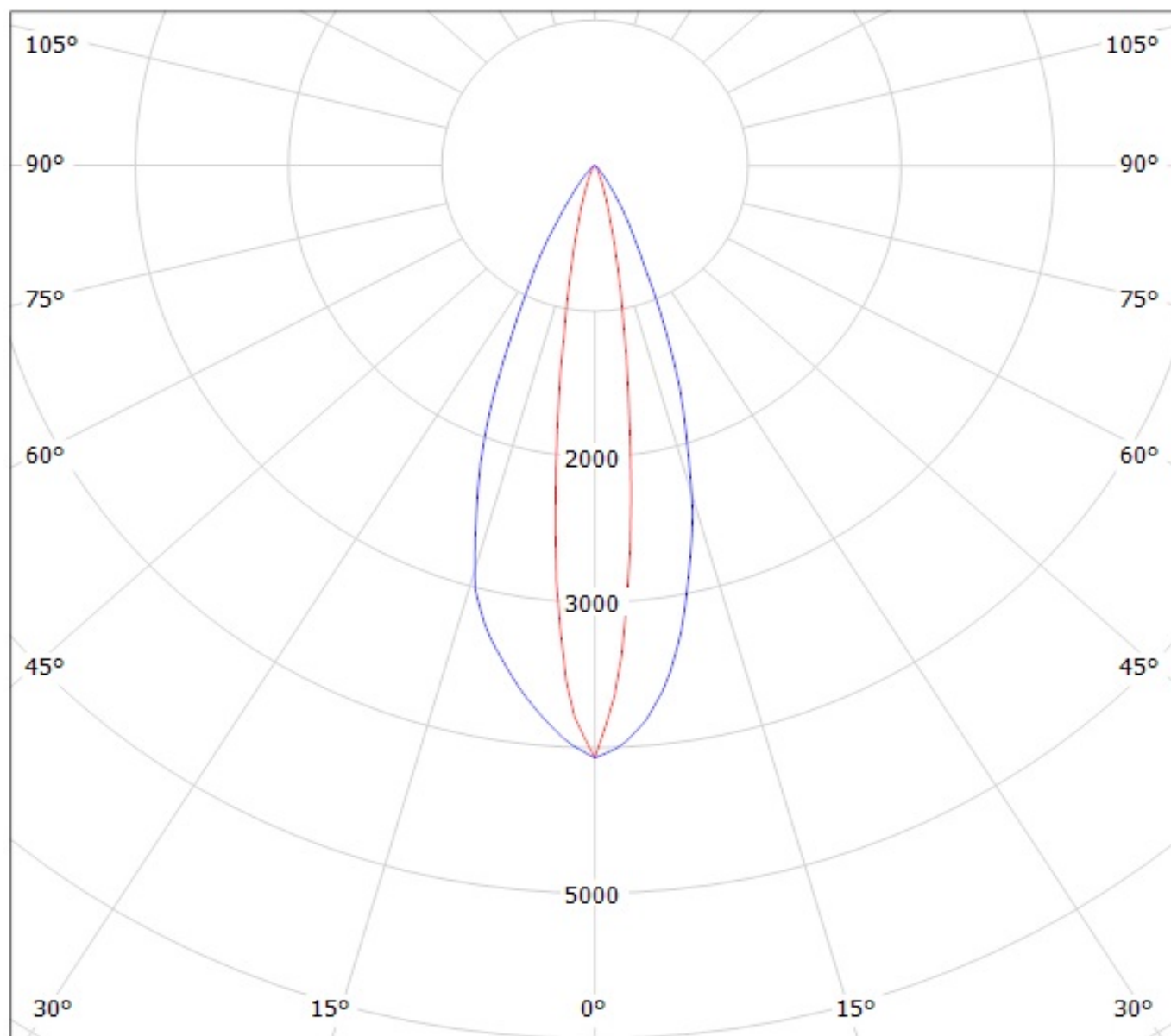
Luminaire: Ledil Oy CA11930\_LR2-D (Luxeon T 72lm @ 250mA) Efficiency=94%  
Lamps: 1 x Luxeon T 72lm @ 250mA



cd/klm

— C0 - C180 — C90 - C270

Luminaire: Ledil Oy CA12629\_LR2-O-90 (Luxeon T 72 lm @ 250mA) Efficiency= 88%  
Lamps: 1 x Luxeon T 72 lm @ 250 mA

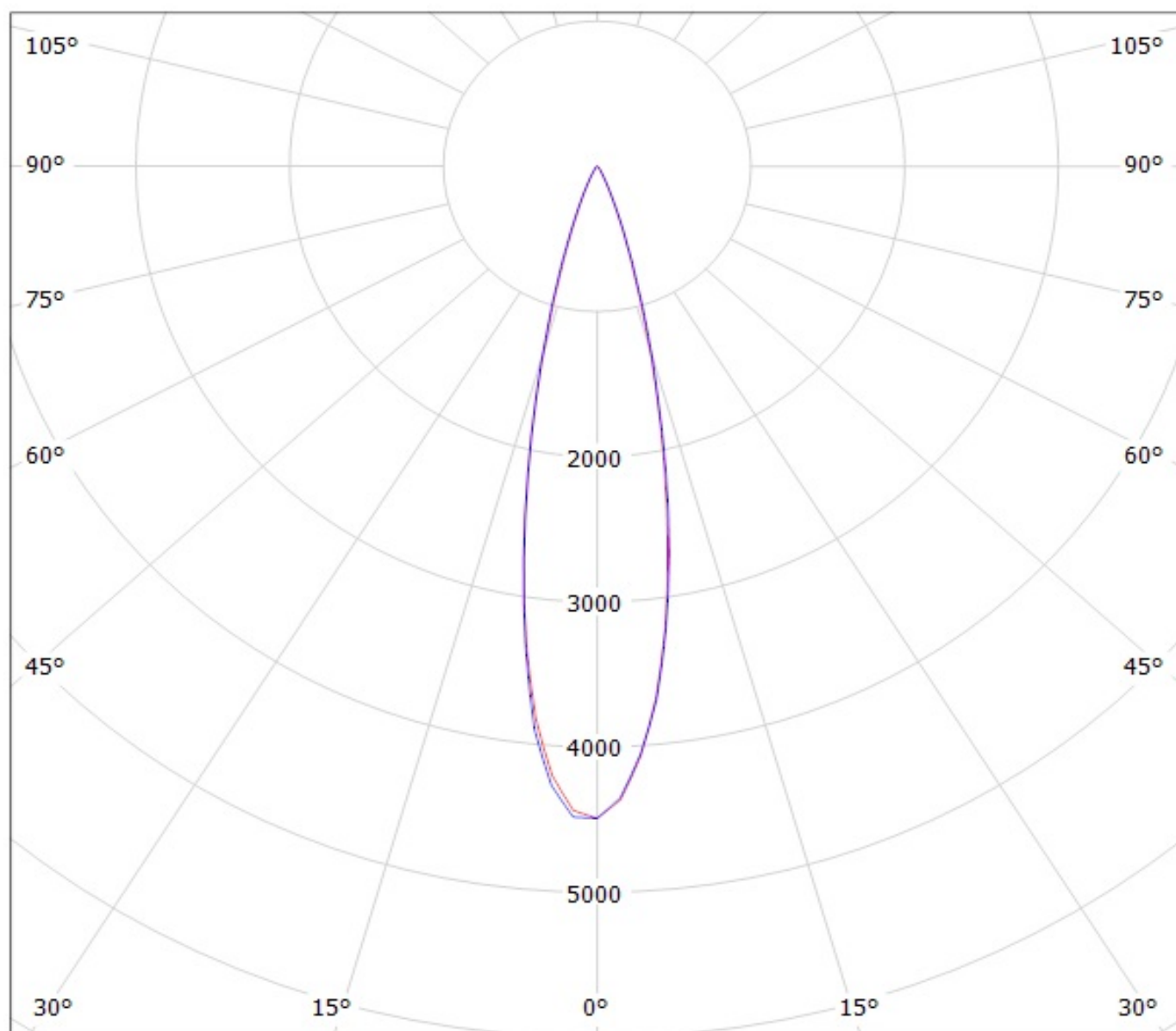


cd/klm

— C0 - C180

— C90 - C270

Luminaire: Ledil Oy CA11931\_LR2-M (Luxeon T 72 lm 2 250 mA) Efficiency=90%  
Lamps: 1 x Luxeon T 72 lm 2 250 mA



cd/klm

— C0 - C180

— C90 - C270