

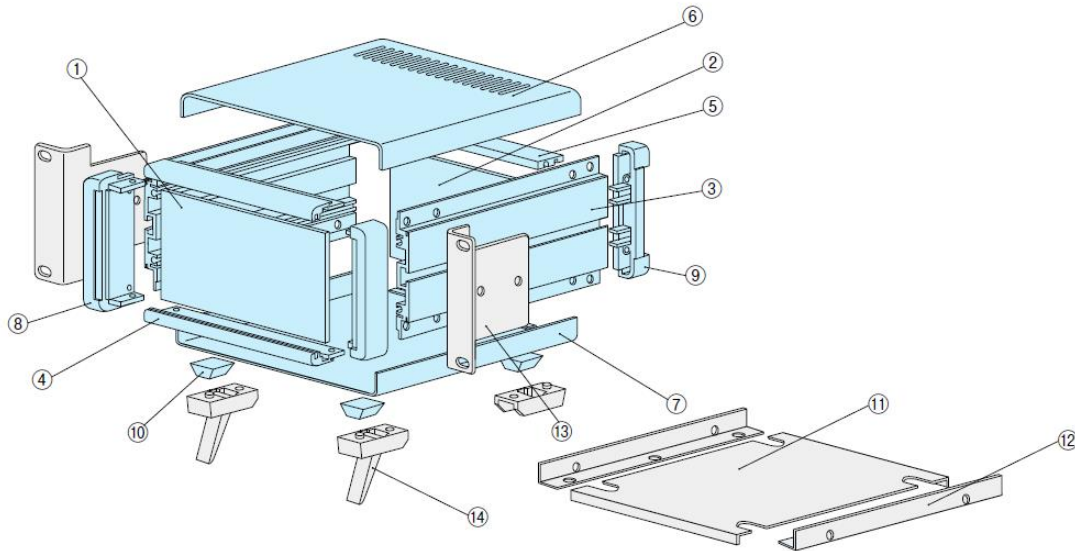
MO SERIES

MO DESK TOP ENCLOSURE

Technical data
Protection class IP40



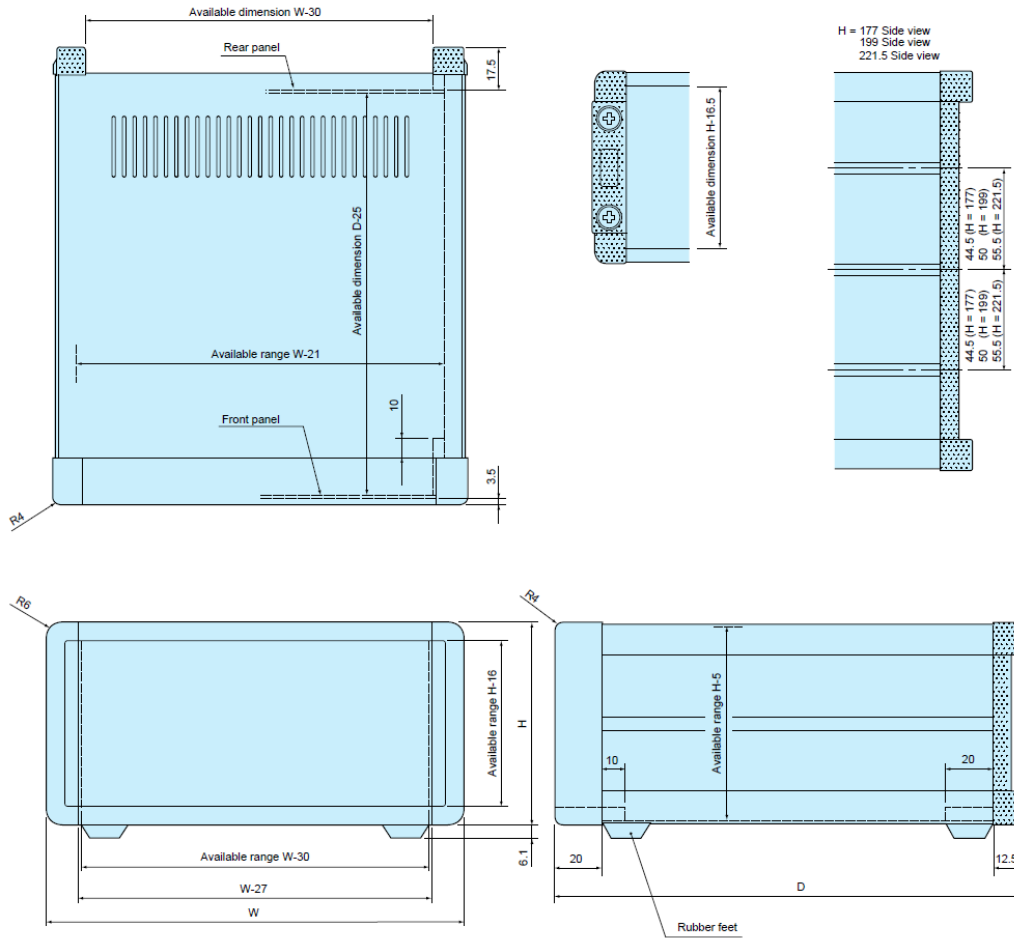
Assembly drawing



Components

Ref. #	Part name	Pcs	Material	Colour/ Finish
1	Front panel	1	Aluminium t2.0	Silver - Black anodized / Hair line finish
2	Rear panel	1	Aluminium t2.0	Silver - Black anodized
3	Side frame	2	Aluminium extrusion	Grey - Black painted
4	Front frame	2	Aluminium extrusion	Grey - Black painted
5	Rear frame	2	Aluminium extrusion	Silver anodized
6	Top cover	1	Steel t1.0	Light grey - Black painted
7	Bottom cover	1	Steel t1.0	Light grey - Black painted
8	Corner block	2	Die-cast Aluminium	Grey - Black painted
9	Rear feet	2	ABS (UL94V-0)	Grey - Black
10	Rubber feet	4	Polyurethane	Black

dimensions



Panel:	Silver
Cover:	Light grey
Side frame:	Grey

Part no.	H	W	D	Weight (kg)
MO 66-26-28 G	66	260	280	1.5
MO 66-32-28 G	66	320	280	1.7
MO 88-16-23 G	88	160	230	1.1
MO 88-26-28 G	88	260	280	1.7
MO 99-21-28 G	99	210	280	1.5
MO 99-43-35 G	99	430	350	2.8
MO 133-16-23 G	132.5	160	230	1.4
MO 133-21-28 G	132.5	210	280	1.8
MO 149-16-23 G	149	160	230	1.5
MO 149-21-28 G	149	210	280	1.9
MO 222-43-45 G	221.5	430	450	5.3

Dimensions in mm