

# Product data sheet

## Miniature connectors



Product description **Bayonet Female panel mount connector, Contacts: 8, unshielded, THT, IP67 (when unplugged as well), Rear mounting**

Area **Bayonet NCC**

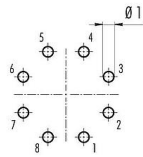
Series **770**

Part no. **09 0774 195 08**

### Illustration

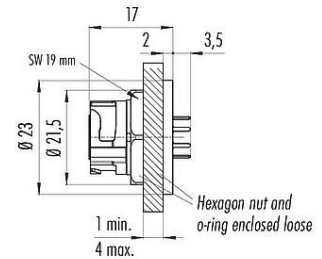


### Conductor layout

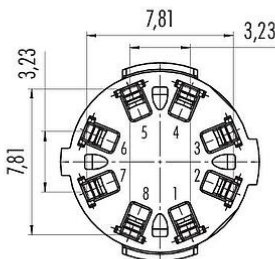


	X	Y
1	1,62	-3,90
2	3,90	-1,62
3	3,90	1,62
4	1,62	3,90
5	-1,62	3,90
6	-3,90	1,62
7	-3,90	-1,62
8	-1,62	-3,90

### Scale drawing



### Contact arrangement (Plug-in side)



You can find the component part drawing and assembly instructions on the next page.

### Technical data

#### General features

Part no.	<b>09 0774 195 08</b>
Connector design	Female panel mount connector
Version	Connector socket straight
Connector locking system	Bayonet
Termination	THT
Degree of protection	IP67 (when unplugged as well)
Temperature range from/to	-25 °C / 85 °C

# Product data sheet

## Miniature connectors



Product description	<b>Bayonet Female panel mount connector, Contacts: 8, unshielded, THT, IP67 (when unplugged as well), Rear mounting</b>
Area	<b>Bayonet NCC</b>
Series	<b>770</b>
Part no.	<b>09 0774 195 08</b>

Mechanical operation	> 5000 Mating cycles
Weight (g)	6.19
Customs tariff number	85369010
Country of Origin	DE

### Electrical parameters

Rated voltage	175 V
Rated impulse voltage	1750 V
Rated current	2.0 A
Pollution degree	2
Overvoltage category	II
Insulating material group	II
EMC compliance	unshielded

### Material

Housing material	PA
Contact body material	PA
Contact material	CuSn (bronze)
Contact plating	Au (gold)
REACH SVHC	CAS 7439-92-1 (Lead)
SCIP number	1e6958f2-3a84-44ff-bc48-b7d2b8a969cd

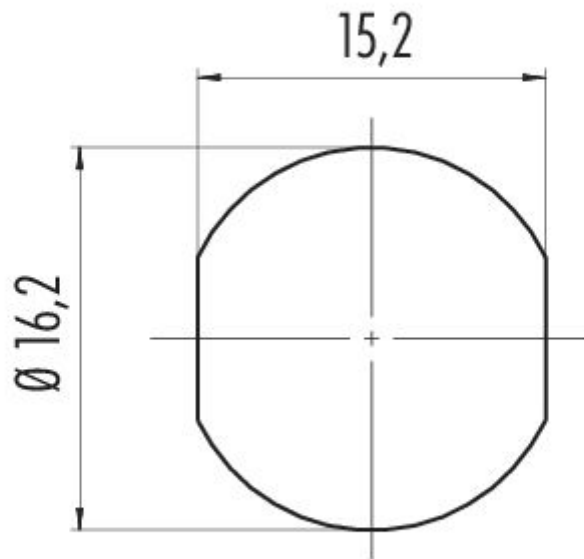
### Classifications

eCl@ss 11.1	27-44-01-09
ETIM 9.0	EC003569

**Product data sheet**  
**Miniature connectors**

Product description	Bayonet Female panel mount connector, Contacts: 8, unshielded, THT, IP67 (when unplugged as well), Rear mounting
Area	Bayonet NCC
Series	770
Part no.	09 0774 195 08

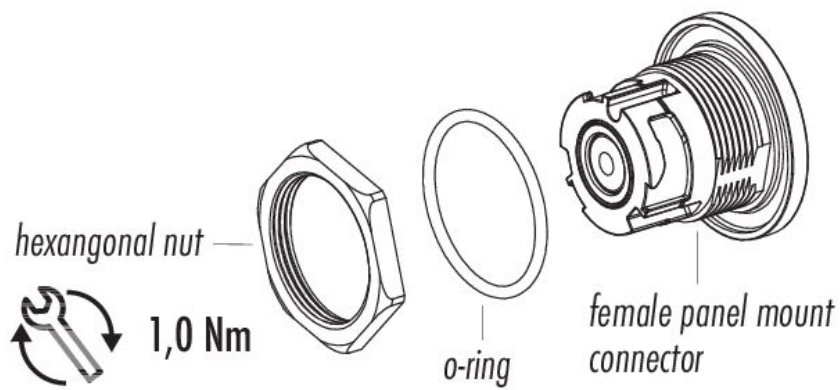
**Assembly instructions / Panel cut-out**



**Product data sheet**  
**Miniature connectors**

Product description	<b>Bayonet Female panel mount connector, Contacts: 8, unshielded, THT, IP67 (when unplugged as well), Rear mounting</b>
Area	<b>Bayonet NCC</b>
Series	<b>770</b>
Part no.	<b>09 0774 195 08</b>

**Component part drawing**



Product description	<b>Bayonet Female panel mount connector, Contacts: 8, unshielded, THT, IP67 (when unplugged as well), Rear mounting</b>
Area	<b>Bayonet NCC</b>
Series	<b>770</b>
Part no.	<b>09 0774 195 08</b>

### **General Disclaim Notice**

The connector must not be plugged or unplugged under load. Non-observance and improper use can result in personal injury.

The connectors have been developed for applications in plant engineering, control and electrical equipment construction. The user is responsible for checking whether the connectors can also be used in other areas of application.

Connectors which are used in circuits with voltages dangerous to the touch may only be installed and used by, or under the supervision of, persons with electrical engineering training, taking into account the applicable regulations and standards.

The user must take suitable safety precautions to ensure that the connector cannot be accidentally disconnected.

Plug connectors with enclosure protection IP67 and IP68 are not suitable for use under water. When used outdoors, the plug connectors must be protected separately against corrosion. For further information on the IP protection classes, please refer to the "Technical Information" download centre.

Please observe the pollution degree and the overvoltage category. For further information, please refer to the download center "Technical Information".