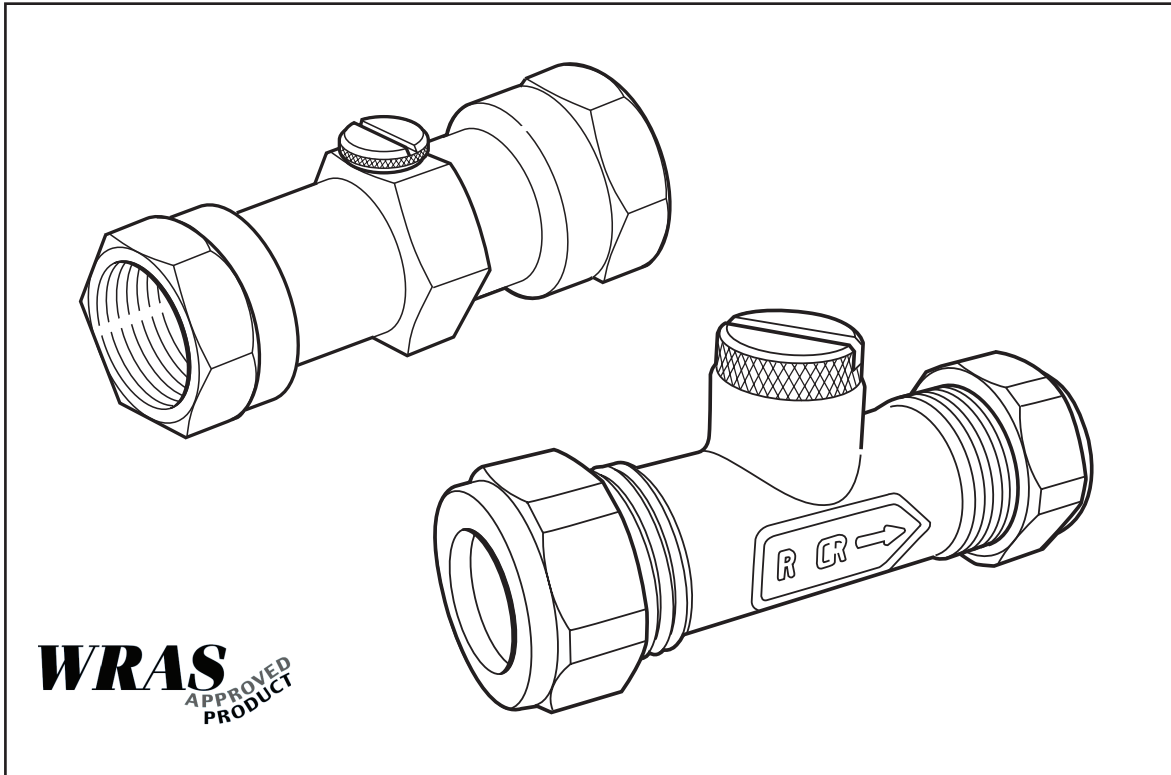


Floguard Double Check Valves



Lightweight, compact double check valves for Class 3 contamination risks.

Product Features and Benefits

- Double check valves **protect against the risk of back-flow and back-syphonage contaminations.**
- **Compact lightweight construction for easy installation.**
- **Allows high flow rate with minimum pressure drop, giving good flow rates.**
- Ideal for all **Class 3 contamination risks as per Water Supply (water fittings) Regulations 1999.**
- Available with a **comprehensive selection of FBSP and compression type connections.**
- **Integral test point** for monitoring correct functioning of the downstream check valve.

- ✓ WRAS Approved
- ✓ Conform to BS 6282 Part1

Floguard Double Check Valves

Description

The Floguard range of double check valves are used for the prevention of back-flow and back-syphonage contamination risks in accordance with the Water Supply (water fittings) Regulations 1999. Manufactured from DZR brass the WRAS approved Floguard range is supplied unplated with the exception of the Minislim, which can be supplied nickel plated.

Product Range

FLOW 230 001:	15mm Floguard Minislim DCV
FLOW 230 002:	15mm Floguard Minislim DCV (Nickel Plated)
FLOW 230 003:	22mm Floguard Compact DCV
FLOW 230 004:	28mm Floguard DCV
FLOW 230 005:	1/2" FBSP Floguard DCV
FLOW 230 006:	3/4" FBSP Floguard DCV
FLOW 230 007:	1" FBSP Floguard DCV
FLOW 230 008:	1.1/4" FBSP Floguard DCV
FLOW 230 009:	1.1/2" FBSP Floguard DCV
FLOW 230 010:	2" FBSP Floguard DCV

Materials

Body:	DZR Brass
Seals:	NBR Elastomer
Check Cartridges:	Acetyl Copolymer
Spring:	Stainless Steel

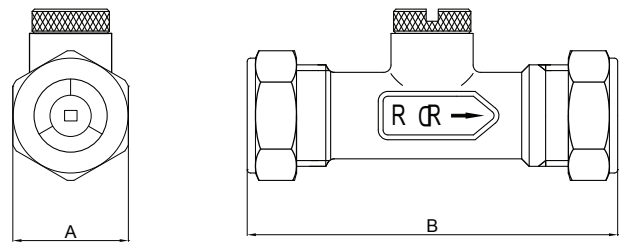
Standards

Conforms to BS 6282 Part 1

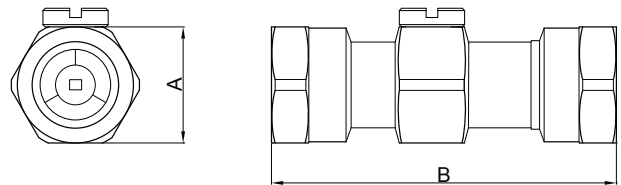
Approvals

WRAS Approval Number : 1001323

Dimensions



Product Code	Connection	A	B
FLOW 230 001	15mm	24	82
FLOW 230 002	15mm	24	82
FLOW 230 003	22mm	32	87
FLOW 230 004	28mm	38	115



Product Code	Connection	A	B
FLOW 230 005	1/2" FBSP	25	75
FLOW 230 006	3/4" FBSP	31	87
FLOW 230 007	1" FBSP	38	101
FLOW 230 008	1 1/4" FBSP	46	121
FLOW 230 009	1 1/2" FBSP	52	143
FLOW 230 010	2" FBSP	65	184

Specifications

Working pressures:	0.1 bar min. 16 bar max.
Maximum temperature:	85°C

How to Specify

Double Check Valve supplied in DZR Brass or nickel plated, with FBSP or compression type connections, to protect against back-flow and back-syphonage Class 3 contamination risks (include correct product range code).



Reliance Water Controls®
 Worcester Road, Evesham, Worcestershire, WR11 4RA, UK
 Tel: +44 (0)1386 712400 Fax: +44 (0)1386 712401 www.rwc.co.uk

