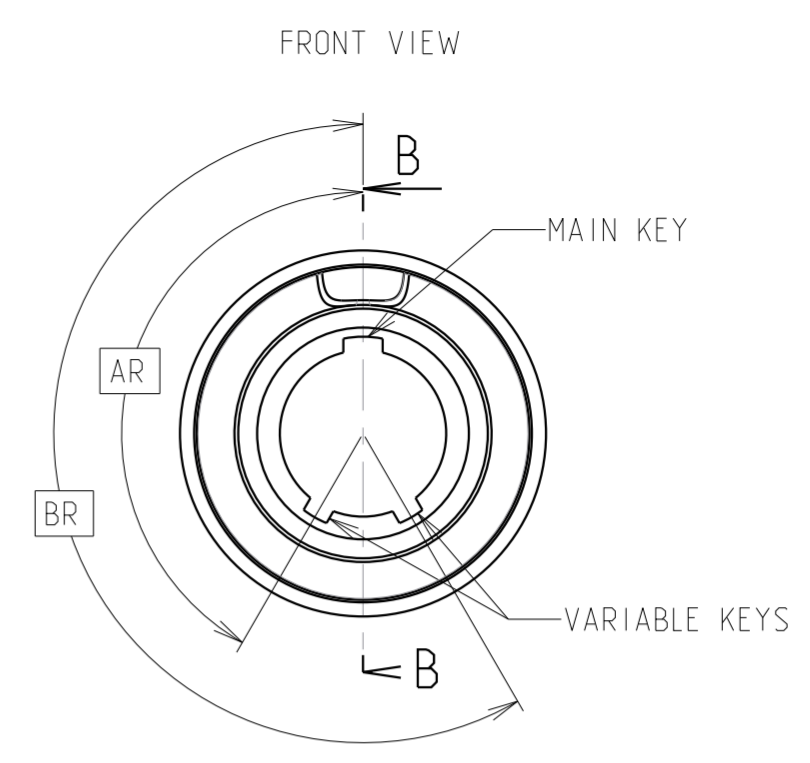
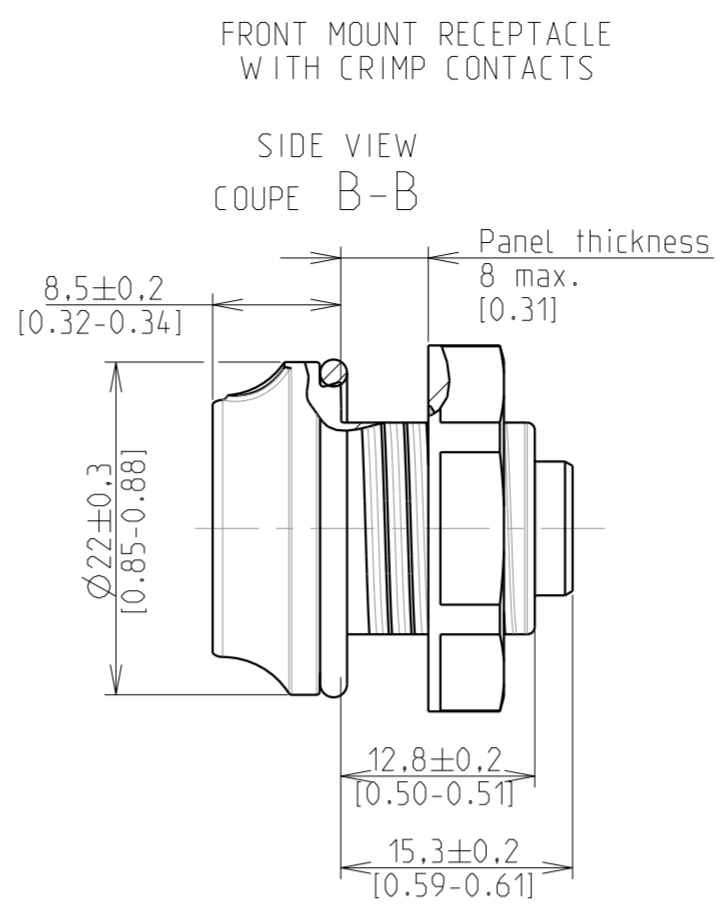
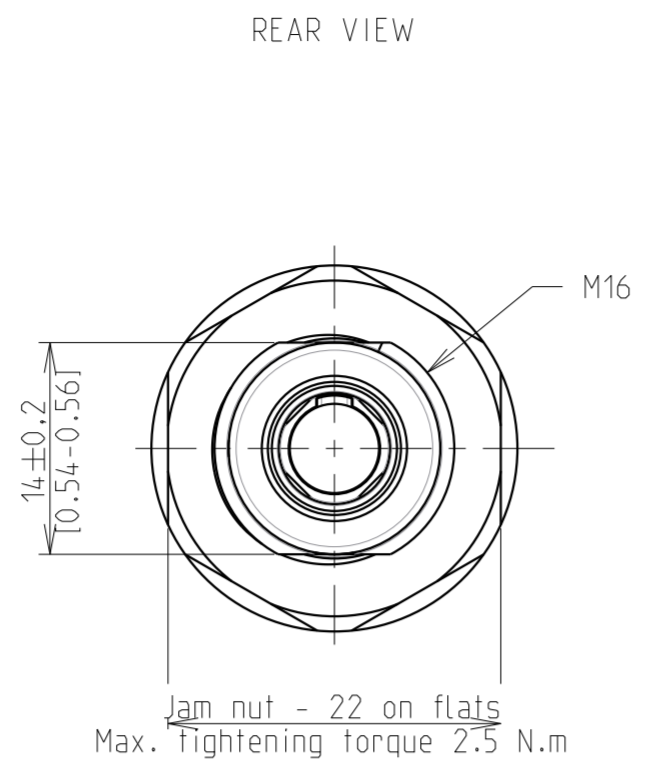
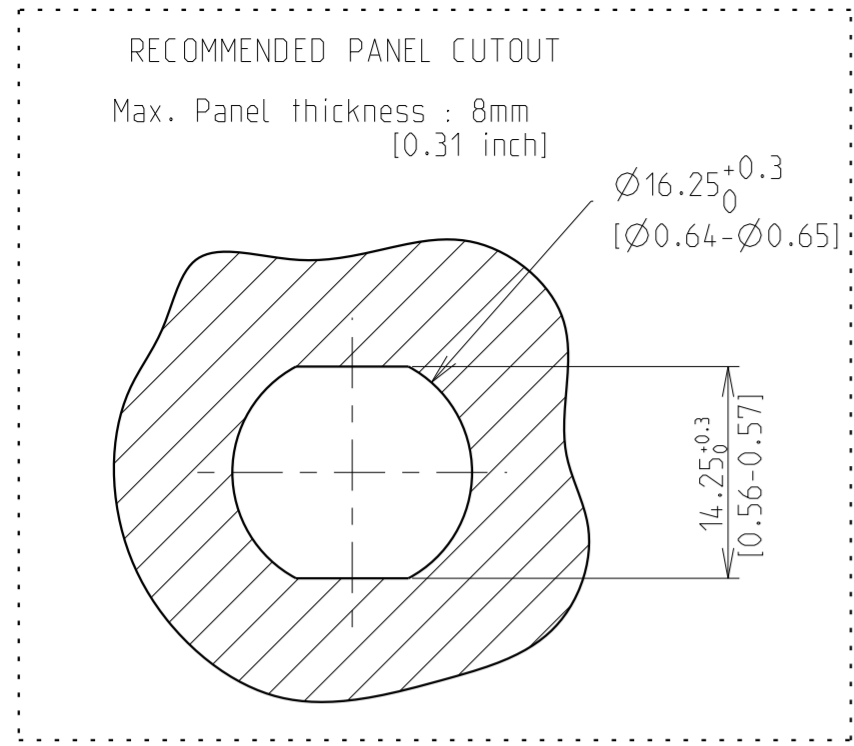


E-15: Validé

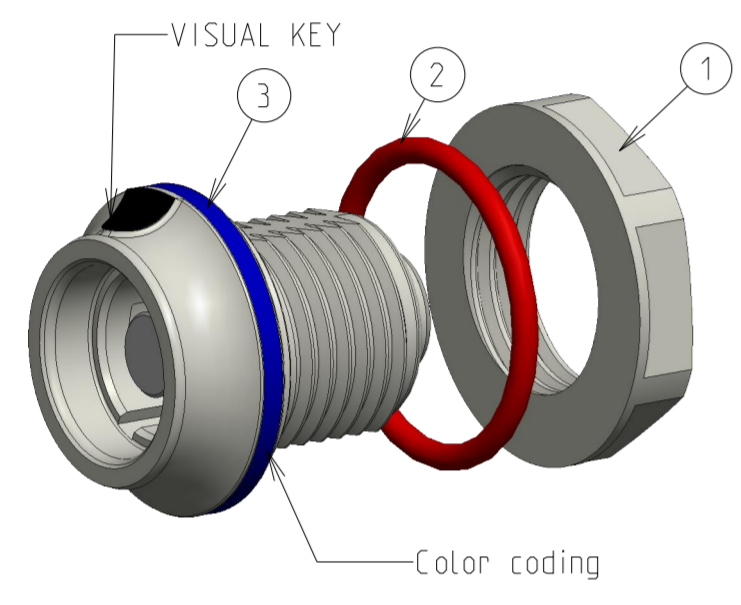
SOURIAU shall not be liable for any non-conformity or damage due to a use of the Products which does not comply with the Specifications issued by either of the Parties or by a third party (Professional recommendation, technical notice.)

MASS ± 10% 6.8 g

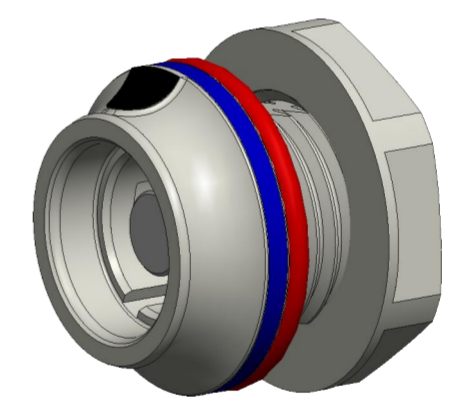
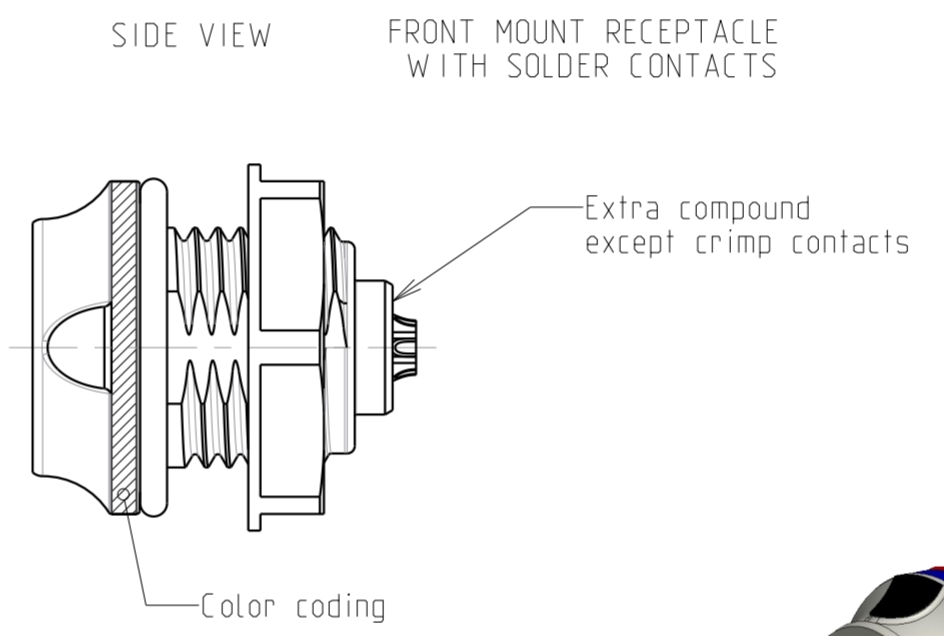


POSITION	AR	BR
A	45°	180°
B	135°	225°
C	45°	225°
D	135°	315°
E	180°	315°
G	165°	195°

G : Default key



PART LIST		
ITEM NO.	DESCRIPTION	MATERIAL
1	HEX NUT	POLYAMIDE- PA6
2	PANEL SEAL	SILICONE
3	SHELL RECEPTACLE	PEI-ULTEM



Connector color coding			
POSITION	Color	Color Code	
G	No color	-	U
A	Blue	ⓘ	A
B	Red	Ⓜ	R
C	Green	Ⓢ	V
D	Orange	Ⓞ	O
E	Yellow	Ⓜ	J

ELECTRICAL:
 INSULATION RESISTANCE : >500MΩ PER ANSI-EIA-364-D METHOD 21
 MAX. CURRENT RATING : SEE INSULATOR DRAWING
 CONNECTOR TESTING VOLTAGE : SEE INSULATOR DRAWING
 CONNECTOR WORKING VOLTAGE : SEE INSULATOR DRAWING

PHYSICAL:
 MAXIMUM WIRE SIZE USED : SEE INSULATOR DRAWING

ENVIRONMENTAL:
 ENDURANCE : 2000 MATING CYCLES AS PER IEC 60512-5 test 9a
 SHOCK : Dropping height 750 mm [29.53] per IEC 60512 test 7b

PROTECTION INDEX:
 IP 68 AS PER IEC 60529 (IBAR DURING 1 WEEK)
 In mated condition
 In unmated condition except crimp contacts

ROHS & REACH COMPLIANT
 OPERATING TEMPERATURE : -20°C +100°C (-4°F +212°F)
 BIOCOMPATIBILITY: ALL SHELL PEI-ULTEM PARTS to USP Class VI / ISO 10993

Connector coding												
Basic type	JMX	HH	1	X	XX	X	X	U	D	S	X	X
Shell type	HH Front mount receptacle IP68											
Shell size												
Keying	POSITION G, A, B, C, D, E											
Contact layout	SEE INSULATOR DRAWING											
Contact type	(M) Male, (F) Female											
Contact style	S (Solder), C (Crimp), P (Straight PCB contacts), Q (90° PCB contacts)											
Material	(U) PEI-ULTEM											
D	standard											
S	standard											
Connector color coding	See color/keying table											
Packaging	nothing : single packaging, B(Bulk) : 100pcs											

Stripping dimensions				
Contact style	Layout	Contact size	ØI	C
S (Solder)	10, 12	0.5	-	2 [0.079]
	06, 07, 08	0.7	-	3 [0.118]
	04, 05	0.9	-	3 [0.118]
	02, 03	1.3	-	3.5 [0.138]
C (Crimp)	06, 07, 08	0.7	≤1.35 [0.053]	4 [0.157]
			>1.35 [0.053]	5.5 [0.217]
	04, 05	0.9	≤1.60 [0.063]	4 [0.157]
			>1.60 [0.063]	5.5 [0.217]
	02, 03	1.3	≤2.10 [0.083]	4 [0.157]
			>2.10 [0.083]	5.5 [0.217]

P/N : SEE TABLE : CONNECTOR CODING

Country Jurisdiction & Control List			
FR	NOT LISTED		
E	26/04/18	Adding color/keying table and cable table	
ISS	DATE	Latest modification - by:	J.GAMBIER
Designed by:		Q.LEBRETON	Date: 13/01/17
CUSTOMER DRAWING			
TITLE		FRONT MOUNT RECEPTACLE SIZE 1 - TYPE HH (IP68)	
		JMX SERIES	
Scale	2/1	Dimensions in mm	NPRDS / PROJECT
		General Linear Tolerances: SEE TABLE	BE150710A
Esterline		www.esterline-connection-technologies.com	
		This document is the property of SOURIAU. It must not be reproduced or communicated without permission.	
FORMAT	A2	SOURIAU DRG N°	SHEET
		C0001-PPP1-A	1 / 1