

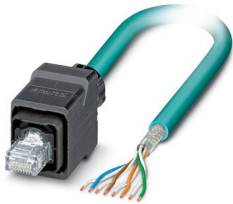
Network cable - VS-PPC/PL-OE-94C-LI/2,0



1412765

<https://www.phoenixcontact.com/gb/products/1412765>

Please be informed that the data shown in this PDF document is generated from our Online Catalog. Please find the complete data in the user documentation. Our General Terms of Use for Downloads are valid.



Assembled Ethernet cable, shielded, 4-pair, AWG 26 suitable for use with drag chain (19-wire), RAL 5021 (sea blue), RJ45 connector/IP67 push/pull plastic housing on free cable end, line, length 2 m

Commercial Data

Item number	1412765
Packing unit	1 pc
Minimum order quantity	1 pc
Sales Key	ABNEAI
Product Key	ABNEAI
Catalog Page	Page 303 (PC-2011)
GTIN	4046356475662
Weight per Piece (including packing)	173.08 g
Weight per Piece (excluding packing)	173.08 g
Customs tariff number	85444210
Country of origin	PL

1412765

<https://www.phoenixcontact.com/gb/products/1412765>

Technical Data

Product properties

Product type	Data cable preassembled
Number of positions	8
Connection profile	RJ45
No. of cable outlets	1
Number of slots	1
Locking type	Push Pull
Shielded	yes
Cable outlet	straight

Insulation characteristics

Degree of pollution	2
---------------------	---

Electrical properties

Transmission medium	Copper
---------------------	--------

Material specifications

Color	black
Flammability rating according to UL 94	V2

Connector

Insertion/withdrawal cycles	≥ 200
-----------------------------	-------

Connection 1

Material	Plastic
Degree of protection	IP67

Cable / line

Cable length	2.00 m
Cable weight	70.00 kg/km
Cable type	Ethernet
Cable structure	4x2xAWG26/19; S/UTP
External cable diameter	7.70 mm
Outer sheath, material	PUR
Conductor material	Bare Cu litz wires
Conductor structure signal line	19x 0.10 mm
AWG signal line	26
Single wire, color	White-blue, white-orange, white-green, white-brown
Wave impedance	100 Ω ±5 Ω (at 100 MHz)
Smallest bending radius, fixed installation	39 mm (cable, fixed installation)
Smallest bending radius, movable installation	39 mm (Cable, flexible installation)
Smallest bending radius, fixed installation	39 mm (cable, fixed installation)
Smallest bending radius, movable installation	39 mm (Cable, flexible installation)

Network cable - VS-PPC/PL-OE-94C-LI/2,0



1412765

<https://www.phoenixcontact.com/gb/products/1412765>

Ambient conditions

Degree of protection	IP65
Degree of protection	IP67
Degree of protection	IP65/IP67

Standards and regulations

Standards/specifications	IEC PAS 61076-3-117
--------------------------	---------------------

Network cable - VS-PPC/PL-OE-94C-LI/2,0

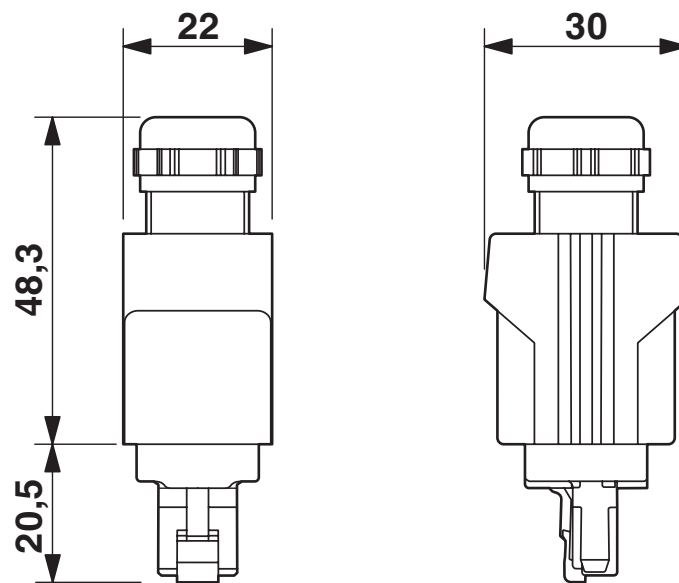
1412765

<https://www.phoenixcontact.com/gb/products/1412765>



Drawings

Dimensional drawing



Push-pull RJ45 connector IP65/67

Network cable - VS-PPC/PL-OE-94C-LI/2,0



1412765

<https://www.phoenixcontact.com/gb/products/1412765>

Approvals



EAC

Approval ID: 19060508

Network cable - VS-PPC/PL-OE-94C-LI/2,0



1412765

<https://www.phoenixcontact.com/gb/products/1412765>

Classifications

ECLASS

ECLASS-9.0	27060308
ECLASS-10.0.1	27060308
ECLASS-11.0	27060308

ETIM

ETIM 8.0	EC002599
----------	----------

UNSPSC

UNSPSC 21.0	26121600
-------------	----------

Network cable - VS-PPC/PL-OE-94C-LI/2,0



1412765

<https://www.phoenixcontact.com/gb/products/1412765>

Environmental Product Compliance

China RoHS	Environmentally friendly use period: unlimited = EFUP-e
	No hazardous substances above threshold values

Phoenix Contact 2022 © - all rights reserved
<https://www.phoenixcontact.com>

PHOENIX CONTACT Ltd
Halesfield 13, Telford
Shropshire, TF7 4PG
01952 681700
info@phoenixcontact.co.uk