

IEC Connector protection degree IP67 / IP69K, Rewireable, Straight



Set consisting of appliance inlet and connector

S15



120° C



**Description**

- Cord Connectors (rewireable) : Screw
- Connector , Pin temperature 120 °C , Protection class I
- Push-Pull locking system
- Wire size 0.75-1.0mm<sup>2</sup>, 18AWG-14AWG (0.82-2.08mm<sup>2</sup>)
- Cable diameter 6.0-10.0mm
- Protection cover as accessory for IP67 / IP69K unplugged
- Complete set consisting of appliance inlet and outlet
- Mating appliance inlet: 4761

**Unique Selling Proposition**

- Waterproofed Cord Connector IP 67 / IP 69K
- Perfect for use in harsh environments
- Push/Pull technology with interlocking system
- Very simple cable assembly

**Approvals**

- ENEC File Number: 40044382
- UL File Number: E96454

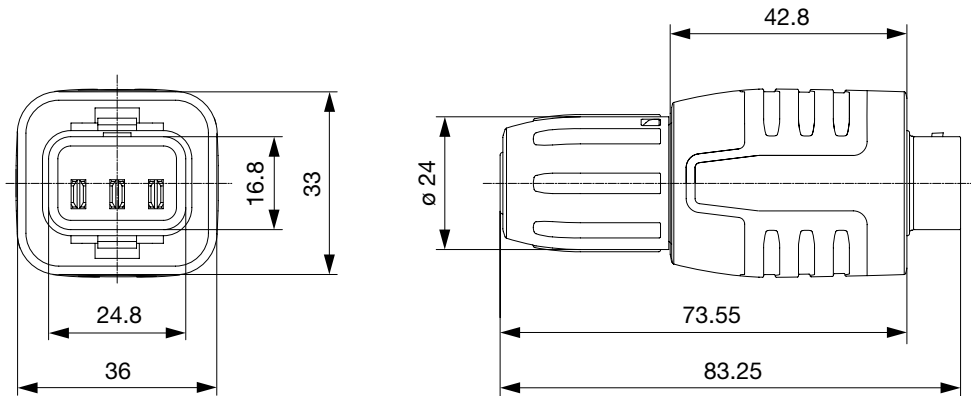
**Weblinks**

[pdf-datasheet](#), [html-datasheet](#), [General Product Information](#), [RoHS](#), [CHINA-RoHS](#), [REACH](#), [Distributor-Stock-Check](#), [Accessories](#), [Detailed request for product](#)

**Technical Data**

Ratings IEC	10A / 250VAC; 50Hz	appliance inlet/-outlet	S15 acc. to IEC 60320-1, UL 60320-1, CSA C22.2 no. 60320-1 (For hot conditions) pin-temperature 120 °C, 10A, Protection Class I
Ratings UL/CSA	15A / 250VAC; 60Hz		
Dielectric Strength	> 1.5kVAC between L-N > 1.5kVAC between L/N-PE (1 min/50Hz)		
Allowable Operation Temp.	-25 °C to 120 °C		
IP-Protection	from front side IP67, IP69K acc. to IEC 60529		
Insulation cover	Suitable for appliances with protection class I acc. to IEC 61140		
Terminal	Cable		
Material: Housing	Thermoplastic, black / white, UL 94V-0		

## Dimensions



## Accessories



Protection cover for IP67 / IP69K for 4762 unplugged

Protection cover black: 0098.0106

Protection cover white: 0098.0108

## All Variants

Appliance Inlet	Connector	Set	Color	Terminals Inlet	Order Number
	●	-	black	-	4312.0003
●	●	1)	black	Quick connect terminals 4.8 x 0.8 mm	4312.0004
●	●	1)	black	Quick connect terminals 6.3 x 0.8 mm	4312.0005
●	●	1)	black	Solder terminals	4312.0006
	●	-	white	-	4312.0010
●	●	1)	white	Quick connect terminals 4.8 x 0.8 mm	4312.0011
●	●	1)	white	Quick connect terminals 6.3 x 0.8 mm	4312.0012
●	●	1)	white	Solder terminals	4312.0013

1) complete set consisting of appliance inlet and outlet

## Packaging unit

10 Pcs

### Mating Inlets/Plugs shuttered

Category / Description



[Appliance Inlet Overview complete](#)

4761, Mounting: Screw, Solder terminals or quick connect terminals, Appliance Inlet: IEC C14

4761

[Appliance Inlet further types to 4762](#)