



Brand of NTN Group

Technical data

UCF218

Bearing units

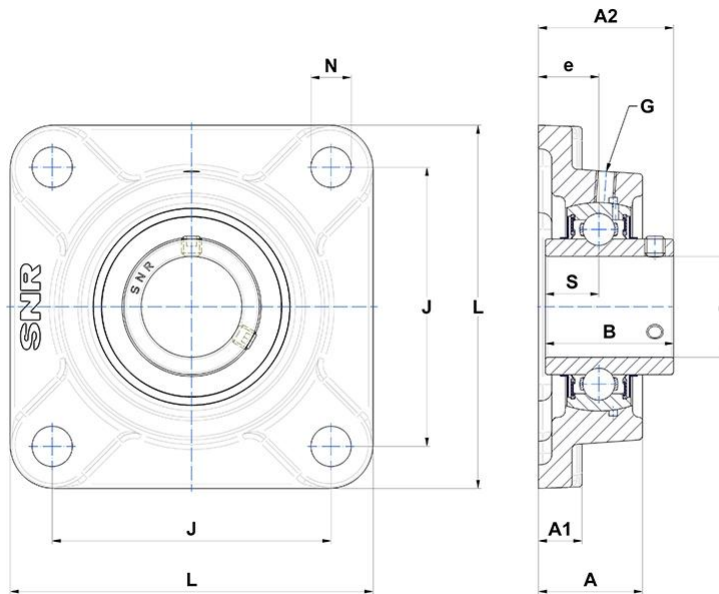


Grey cast housing, radial insert ball bearing with socket set screws, seal with slinger

KIT CONTENT

UC218G2, F218

VISUAL (S)



PRODUCT DEFINITION

Brand	SNR
A - Housing height	68 mm
A1 - Housing foot height / flange height	25 mm
A2 - Total height from mounting surface	96,3 mm
B - Width of Inner Ring	96 mm
d - Shaft diameter	90 mm



NTN Europe

1 rue des Usines · BP 2017 · 74010 Annecy Cedex · France · Tel. +33 (0)4 50 65 30 00
 S.A. au capital de 322 639 919 € · RCS ANNECY B 325 821 072 · Id. Fiscale : FR 48 325 821 072
 SIRET 325 821 072 00015 · Code APE 2815 Z · Code NACE 28.15

PRODUCT DEFINITION

e - Distance mounting surface to bearing center	40 mm
G - Grease fitting	M10x1
J - Mounting holes distance	187 mm
L - Housing width / diameter	235 mm
N - Mounting hole dimension	23 mm
S - Distance front side/bearing centre	39,7 mm

PRODUCT PERFORMANCE

C - Dynamic load rating	96000000 mN
C0 - Static load rating	71500000 mN
Operating temperature min.	253,15 °K
Operating temperature max.	373,15 °K

OTHER FEATURES

Mass	11,28 kg
Recommended tightening torque for set screw	33 N-m

