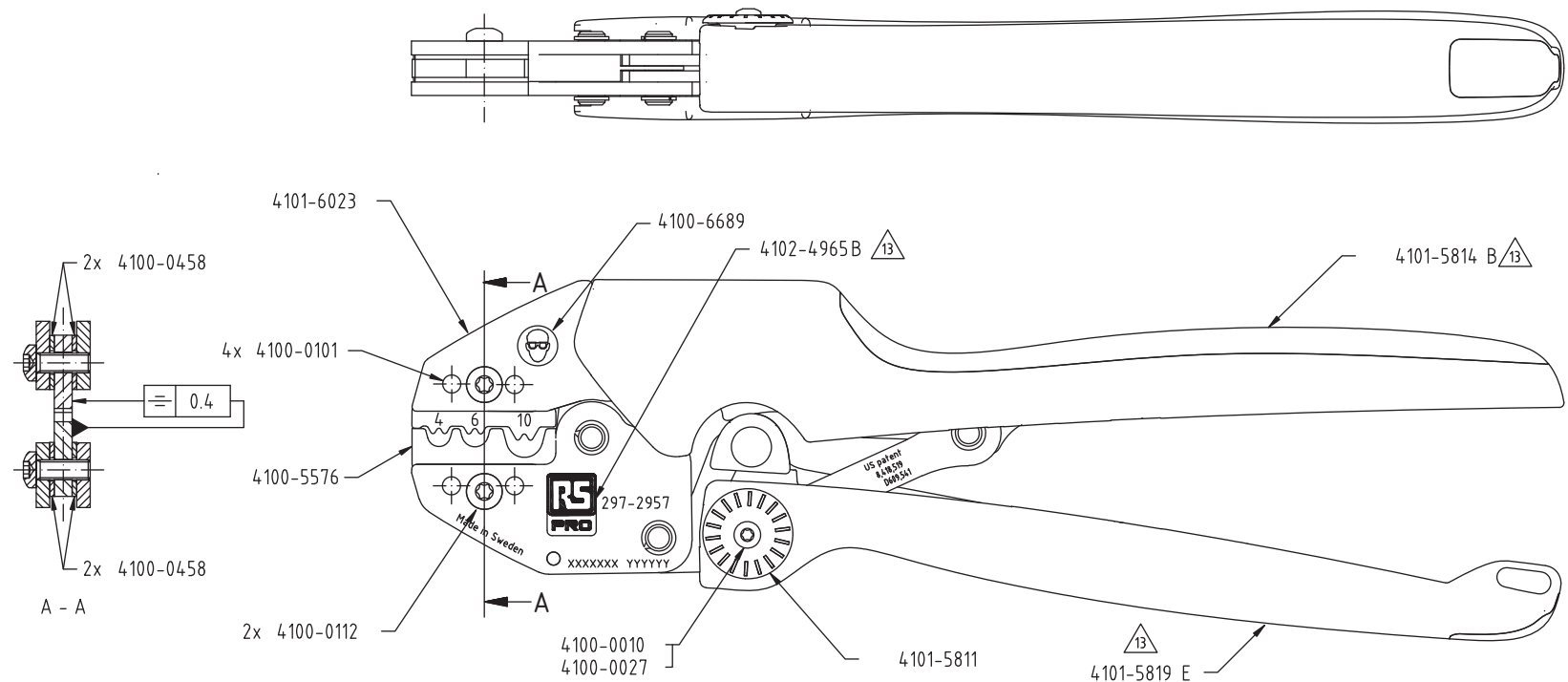


Rev	Change order	Change: A = Added W = Was D = Deleted	Date	Sign
13	3918	C to RS-Pro design	201009	SE

LASERMÄRKNING/LASER MARKING:
 TEXTFONT: GEN-ISO
 Datumkod / Date code "YYYYYY"
 Serienummer / Serial number "XXXXXXX"



4101-2610
 4101-5828
 4102-6067 F - placering position D
 4102-6097

Packas enligt förpackningsritning 4101-6036
 Packed according to drawing 4101-6036

FÖRSPÄNNING / PRELOAD: 140 ± 30 N
 Tolkmått / Gauge dimensions (mm)

URTAG NEST	Gåtolk GO	Stoppolk NO GO
4	∅3.05	∅3.30
6	∅3.03	∅3.28
10	∅3.85	∅4.10

Material		Behandling/Treatment			Status	
Konstr./Design CF		Ritad/Drawn TGW	Datum/Date 2012-12-19	Skala/Scale 1:1	Kontr./Checked	Godk./Approved Prel.utc.
Benämning/Denomination KRIMPTÅNG 297-2957 CRIMPING TOOL				Vikt/Véigt.grun 43002433		Art grp 012
RS PRO				Ritn nr/Draining no 43002433		REV 013