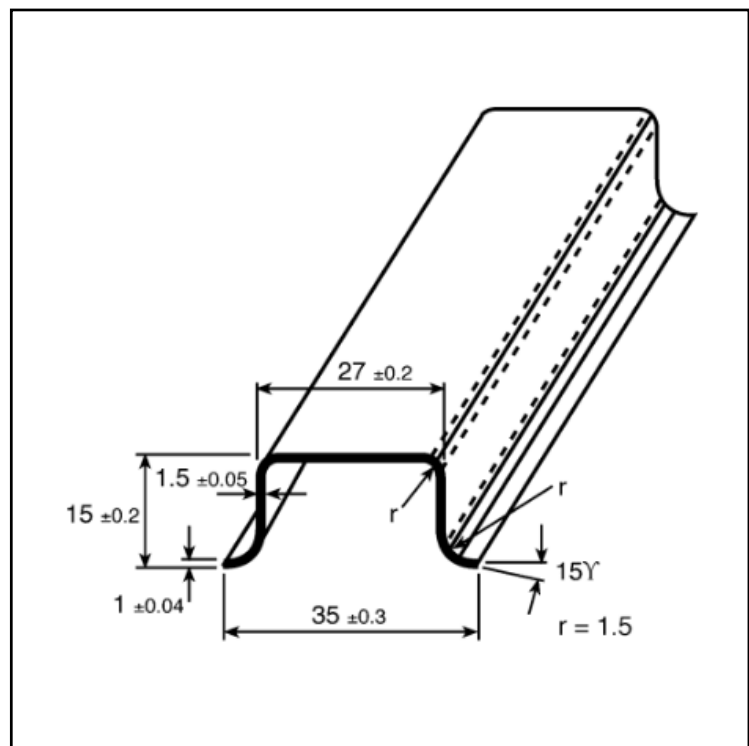


FEATURES

- EN 50022 and DIN 46277-3 symmetrical DIN rails, 7.5mm deep and 35mm wide
- Made from electro-galvanised steel
- Available in full and perforated versions, in various lengths
- Zinc-plated and clear passivated steel
- Slotted and un-slotted variations

RS PRO, Unslotted Din Rail, 2000mm x 35mm x 15mm

RS Stock No.: 467-422



RS Professionally Approved Products bring to you professional quality parts across all product categories. Our product range has been tested by engineers and provides a comparable quality to the leading brands without paying a premium price.

Product Description

From the trusted RS PRO brand, a selection of robust TS-35 deep DIN rails used for mounting various electrical and industrial equipment. The TS-35 rail or Top Hat as it is also known is manufactured from cold rolled steel which is then zinc coated and clear passivated. This provides a simple solution for general applications due to its strength and corrosion proof properties. Available in various lengths and slotted and un-slotted (perforated) profiles for easy attachment and wiring.

General Specifications

Compatibility	Deep Top Hat
DIN Rail Type	TS35 Standard
Applications	Large PLC's, Transformers and power supplies, Drives, Automation and control equipment, Contactors, overloads and relays, Circuit breakers and RCBO's, Timers and switches, Hydraulic components

Mechanical Specifications

Material	Steel
Length	2000mm
Width	Steel
Height	15mm

Approvals

European Safety Standard	EN5022
---------------------------------	--------