

## Accessories, D series

**FESTO**



# Accessories, D series

Mounting attachments



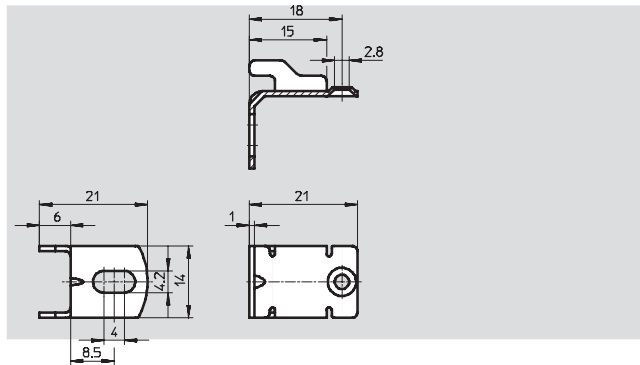
## Mounting bracket HFOE-D

Micro size

- For wall mounting

Material:

Galvanised steel



Ordering data			
Size	Part No.	Type	
Micro	526317	HFOE-D-MICRO	

## Mounting bracket HFOE-D

Mini/Midi/Maxi size

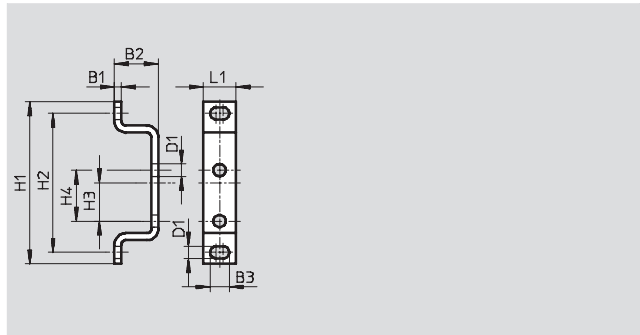
- For wall mounting

Material:

Galvanised steel

Note on material:

Free of copper and PTFE



Dimensions and ordering data												
Size	B1	B2	B3	D1	H1	H2	H3	H4	L1	CRC <sup>1)</sup>	Part No.	Type
Mini	2	19	7.3	4.3	43	35	5.5	11	12	2	159638	HFOE-D-MINI
Midi/Maxi	3	19	8.3	5.3	70	60	16.5	22	14	2	159593	HFOE-D-MIDI/MAXI

1) Corrosion resistance class 2 as per Festo standard 940 070

Components subject to moderate corrosion stress. Externally visible parts with primarily decorative surface requirements which are in direct contact with a normal industrial environment or media such as coolants or lubricating agents.

## Mouning bracket set HRBS-DB

- For wall mounting

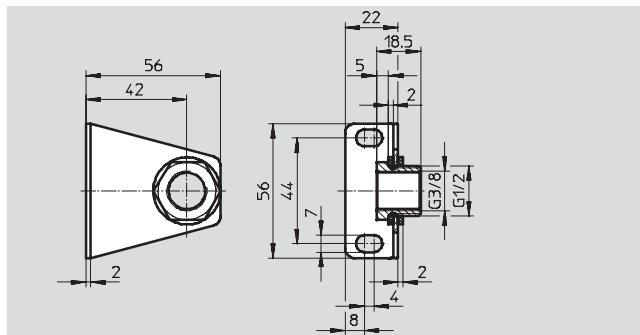
Material

Hollow bolt, bracket: Galvanised steel

Sealing ring: Polyvinyl chloride

Note on material:

Free of copper and PTFE



Dimensions and ordering data					
Size	Pneumatic connection	CRC <sup>1)</sup>	Weight [g]	Part No.	Type
Mini	G $\frac{3}{8}$	2	150	540791	HRBS-DB-MINI

1) Corrosion resistance class 2 as per Festo standard 940 070

Components subject to moderate corrosion stress. Externally visible parts with primarily decorative surface requirements which are in direct contact with a normal industrial environment or media such as coolants or lubricating agents.

## Accessories, D series

Mounting attachments

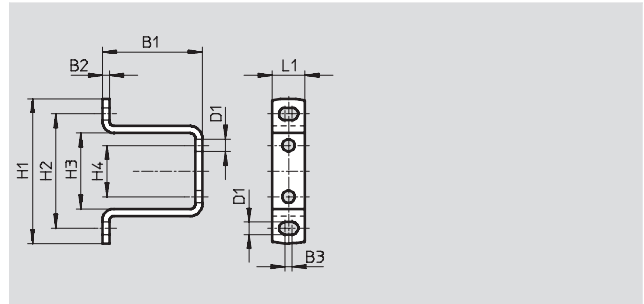
FESTO

### Mounting bracket HRB-D

- For wall mounting
- For pressure regulators LRB/LRBS

Material:

Galvanised steel



#### Dimensions and ordering data

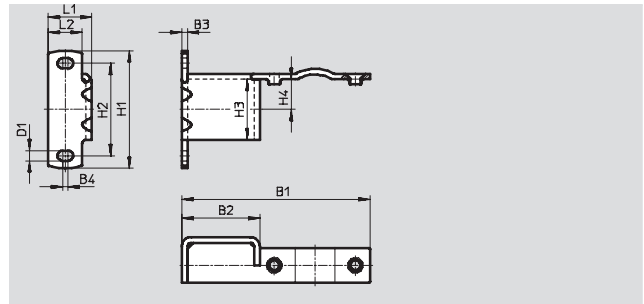
Size	B1	B2	B3	D1 Ø	H1	H2	H3	H4	L1	Part No.	Type
Mini	38.8	2.5	3	4.3	47.3	35	20	11	12	525029	HRB-D-MINI
Midi	42.7	3	3	5.3	62	49	32.5	22	14	525030	HRB-D-MIDI

### Mounting bracket HRBK-D

- For wall mounting
- For pressure regulators LRB/LRBS

Material:

Galvanised steel



#### Dimensions and ordering data

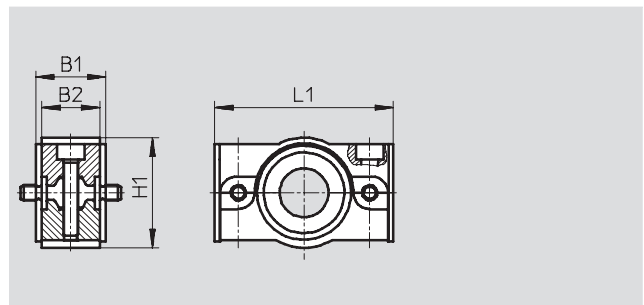
Size	B1	B2	B3	B4	D1 Ø	H1	H2	H3	H4	L1	L2	Part No.	Type
Mini	80.5	37.5	2.5	3	4.3	47.3	35	20	10	18.5	14	525031	HRBK-D-MINI
Midi	99.8	41.3	3	3	5.3	62.3	49	32	16	24	18	525032	HRBK-D-MIDI

### Connecting kit HRBC-D

- For pressure regulators LRB/LRBS

Material:

Die-cast zinc



#### Dimensions and ordering data

Size	B1	B2	H1	L1	Weight [g]	Part No.	Type
Mini	17.4	14.8	20	43	65	529022	HRBC-D-MINI
Midi	23	18.6	36	58.5	188	529023	HRBC-D-MIDI

## Accessories, D series

Mounting attachments

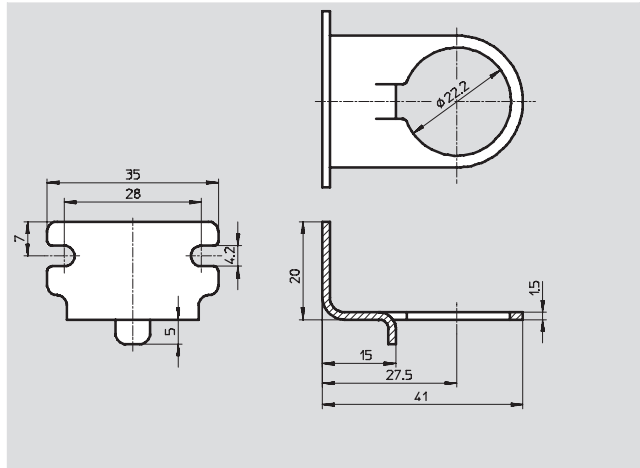
FESTO

### Mounting bracket HRS-D

- For wall mounting of an individual unit

Material:

Galvanised steel



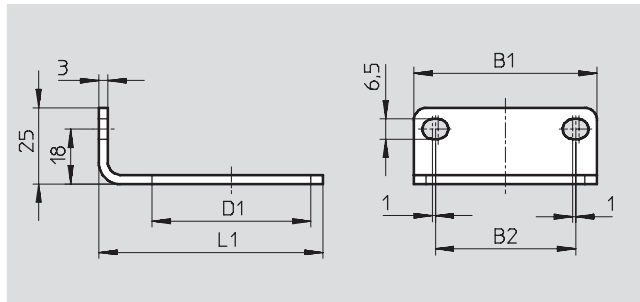
Ordering data		
Size	Part No.	Type
Micro	526316	HRS-D-MICRO

### Mounting bracket HR-D

- For wall mounting of an individual unit

Material:

Galvanised steel



Dimensions and ordering data							
Size	B1	B2	D1	L1	CRC <sup>1)</sup>	Part No.	Type
Mini	42	28	36	57.5	2	164936	HR-D-MINI
Midi	60	46	52	73.5	2	162804	HR-D-MIDI
Maxi	64	51	36	82	2	162805	HR-D-MAXI
DI	64	51	52	82	2	193802	HR-D-DI-MAXI

1) Corrosion resistance class 2 as per Festo standard 940 070

Components subject to moderate corrosion stress. Externally visible parts with primarily decorative surface requirements which are in direct contact with a normal industrial environment or media such as coolants or lubricating agents.

## Accessories, D series

Mounting attachments

### Hex nut HMR-D

- For filter regulators LFR and pressure regulators LR

Material:

Wrought aluminium alloy



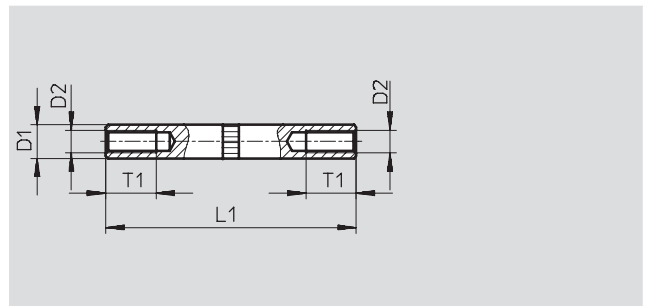
Ordering data		
Size	Part No.	Type
Micro	526816	HMR-D-MICRO
Mini/Maxi	530025	HMR-D-MINI/MAXI
Midi	530026	HMR-D-MIDI

### Threaded pin HSB-D

- For individual devices with connecting plates

Material:

High-alloy steel



Dimensions and ordering data						
Size	D1	D2	L1	T1	Part No.	Type
Mini	6.5 ∅	M4	39.7	10	531057	HSB-D-MINI
Midi	7.5	M5	54.7	11	531058	HSB-D-MIDI

### Threaded pin FRB-D

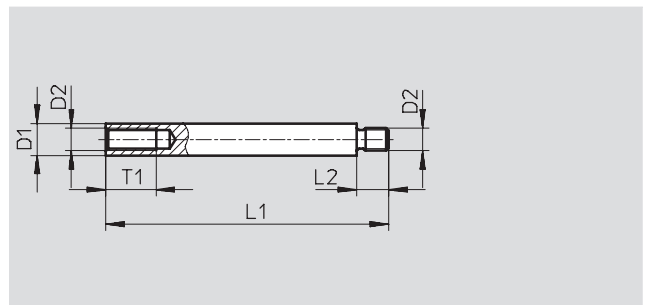
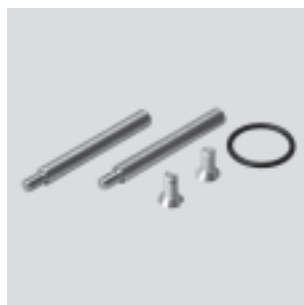
- For service unit combinations

Material:

High-alloy steel

Note on material Mini/Midi/Maxi:

Free of copper and PTFE



Dimensions and ordering data								
Size	D1	D2	L1	L2	T1	CRC <sup>1)</sup>	Part No.	Type
Micro	3.5 ∅	M2.5	28.4	4	6	–	526817	FRB-D-MICRO
Mini	6	M4	45.8	6	10	2	159642	FRB-D-MINI
Midi	7	M5	61.8	7	11	2	159595	FRB-D-MIDI
Maxi	7	M5	72.8	7	11	2	159643	FRB-D-MAXI

1) Corrosion resistance class 2 as per Festo standard 940 070  
Components subject to moderate corrosion stress. Externally visible parts with primarily decorative surface requirements which are in direct contact with a normal industrial environment or media such as coolants or lubricating agents.

## Accessories, D series

Mounting attachments

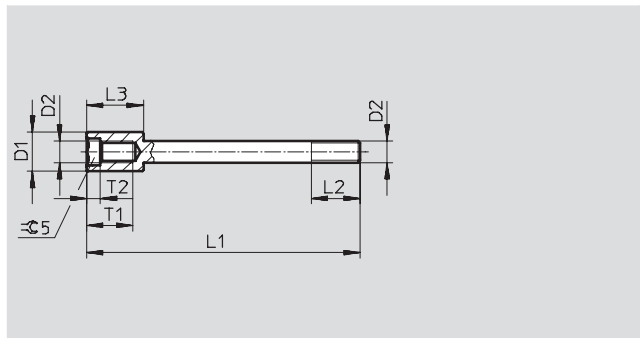
FESTO

### Threaded pin FRB-DB

- Substitute for socket head screws in the lubricator of the service unit FRC-DB for attachment of another service unit

Material:  
Steel

Note on material:  
Free of copper and PTFE



Dimensions and ordering data										
Size	D1 ∅	D2	L1	L2 min.	L3	T1	T2	CRC <sup>1)</sup>	Part No.	Type
Mini	7.2	M4	50.5	9	10.5	8.5	2.5	1	542187	FRB-DB-MINI

1) Corrosion resistance class 1 as per Festo standard 940 070  
Components requiring low corrosion resistance. Transport and storage protection. Parts that do not have primarily decorative surface requirements, e.g. in internal areas that are not visible or behind covers.

### Nut assortment M4-DB

- For service unit combinations

Material:  
Galvanised steel

Note on material:  
Free of copper and PTFE



Ordering data			
Size	CRC <sup>1)</sup>	Part No.	Type
Mini	1	542790	M4-DB-MINI

1) Corrosion resistance class 1 as per Festo standard 940 070  
Components requiring low corrosion resistance. Transport and storage protection. Parts that do not have primarily decorative surface requirements, e.g. in internal areas that are not visible or behind covers.

## Accessories, D series

Connecting plates

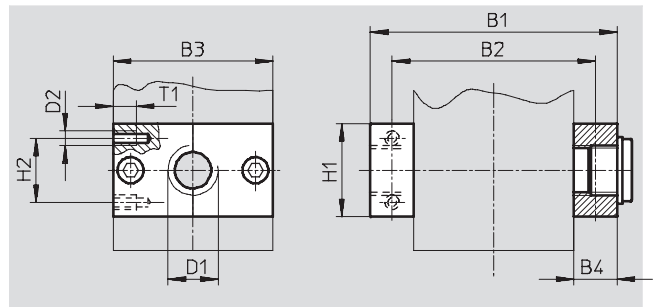
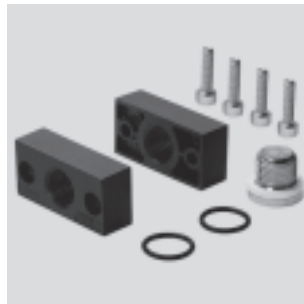
FESTO

### Connecting plates LRBAS-D

- For pressure regulators LRB/LRBS

Material:

Die-cast zinc



Dimensions and ordering data												
Size	Connection	B1	B2	B3	B4	D1	D2	H1	H2	T1 max.	Part No.	Type
Mini	G $\frac{1}{4}$	64	52	40	12	G $\frac{1}{4}$	M4	20	11	7	525033	LRBAS- $\frac{1}{4}$ -D-MINI
	G $\frac{3}{8}$	70	52	40	15	G $\frac{3}{8}$	M4	23	11	7	525034	LRBAS- $\frac{3}{8}$ -D-MINI
Midi	G $\frac{3}{8}$	85	70	55	15	G $\frac{3}{8}$	M5	32	22	8	525035	LRBAS- $\frac{3}{8}$ -D-MIDI
	G $\frac{1}{2}$	85	70	55	15	G $\frac{1}{2}$	M5	32	22	8	525036	LRBAS- $\frac{1}{2}$ -D-MIDI

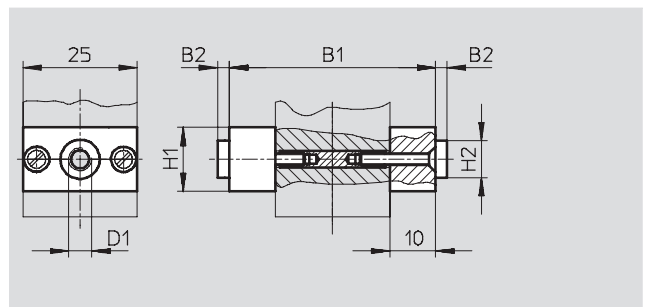
Note: This product conforms to ISO 1179-1 and to ISO 228-1

### Connecting plate kit PBL-D

- For service units FRC, filter regulators LFR, filters LF, pressure regulators LR and lubricators LOE

Material:

Wrought aluminium alloy



Dimensions and ordering data								
Size	Connection	B1	B2	D1	H1	H2	Part No.	Type
Micro	G $\frac{1}{8}$	45	–	G $\frac{1}{8}$	14	–	526318	PBL- $\frac{1}{8}$ -D-MICRO
	QS4	45	2.5	QS4	14	8	526321	PBL-QS4-D-MICRO
	QS6	45	2.5	QS6	14	10	526322	PBL-QS6-D-MICRO

## Accessories, D series

Connecting plates

FESTO

### Connecting plate kit PBL-DB

- For wall mounting
- For establishing a pneumatic connection G $\frac{3}{8}$

Material:

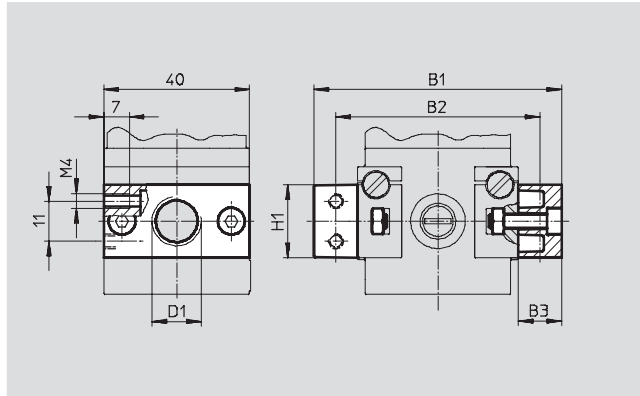
Connecting plate: Die-cast zinc

Nut, screws: Galvanised steel

Seals: Nitrile rubber

Note on material:

Free of copper and PTFE



Dimensions and ordering data							
Size	B1	B2	B3	D1	H1	CRC <sup>1)</sup>	Part No. Type
Mini	68	56	12	G $\frac{1}{8}$	20	1	542787 PBL- $\frac{1}{8}$ -DB-MINI
	68	56	12	G $\frac{1}{4}$	20		542788 PBL- $\frac{1}{4}$ -DB-MINI
	74	56	15	G $\frac{3}{8}$	23		542789 PBL- $\frac{3}{8}$ -DB-MINI

1) Corrosion resistance class 1 as per Festo standard 940 070

Components requiring low corrosion resistance. Transport and storage protection. Parts that do not have primarily decorative surface requirements, e.g. in internal areas that are not visible or behind covers.



## Accessories, D series

Security components

### Regulator lock LRVS

Locking device to prevent unauthorised alteration of the set pressure of pressure and filter regulators.

Material:

Cap: Polyacetal

Lock plate: Steel

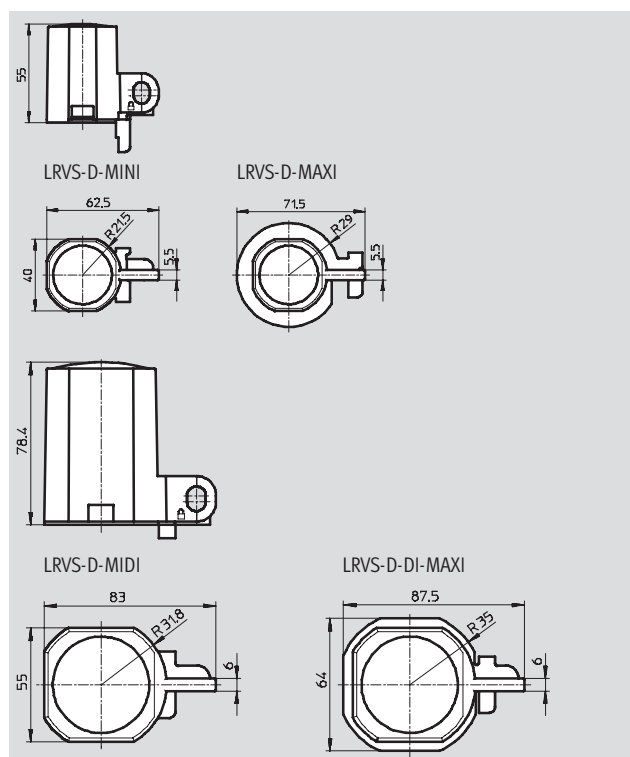
Knurled nut: Aluminium

Note on material:

Free of copper and PTFE

Ambient temperature:

-20 ... +60 °C



Ordering data		Part No.	Type
Size	Weight [g]		
Mini	40	193781	LRVS-D-MINI
Midi	60	193782	LRVS-D-MIDI
Maxi	56	193783	LRVS-D-MAXI
DI	36	193784	LRVS-D-DI-MAXI

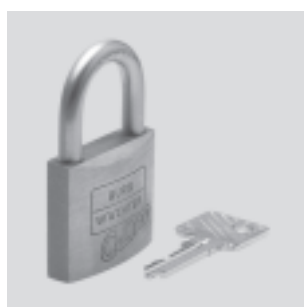
### Padlock LRVS-D

Material:

Housing: Brass

Ambient temperature:

-20 ... +60 °C



Ordering data		Part No.	Type
Size	Weight [g]		
Mini/Midi/Maxi	120	193786	LRVS-D

# Festo - Your Partner in Automation



**1 Festo Inc.**  
5300 Explorer Drive  
Mississauga, ON L4W 5G4  
Canada

**Festo Customer Interaction Center**  
Tel: 1 877 463 3786  
Fax: 1 877 393 3786  
Email: [customer.service.ca@festo.com](mailto:customer.service.ca@festo.com)



**2 Festo Pneumatic**  
Av. Ceylán 3,  
Col. Tequesquináhuac  
54020 Tlalneptla,  
Estado de México

**Multinational Contact Center**  
01 800 337 8669  
[ventas.mexico@festo.com](mailto:ventas.mexico@festo.com)



**3 Festo Corporation**  
1377 Motor Parkway  
Suite 310  
Islandia, NY 11749

**Festo Customer Interaction Center**  
1 800 993 3786  
1 800 963 3786  
[customer.service.us@festo.com](mailto:customer.service.us@festo.com)



**4 Regional Service Center**  
7777 Columbia Road  
Mason, OH 45040

Connect with us



[www.festo.com/socialmedia](http://www.festo.com/socialmedia)



[www.festo.com](http://www.festo.com)

Subject to change