

Datasheet

Sub-Miniature Pushbutton Switch



IP 67
ACCORDING TO
EN 60529:1991+A1:2001
IEC 60529:2001



Package Contain:

- 1x Nut
- 1x Locking Washer
- 1x Splash Proof O-Ring

Specifications:

| | |
|-------------------|------------|
| SWITCH TYPE: | PUSHBUTTON |
| POLES/THROWS: | SPST |
| SWITCH FUNCTIONS: | OFF-MOM |

ELECTRICAL CHARACTERISTICS

| | |
|------------------------|--|
| CONTACT RATING: | 500mA 48VAC-200mA 50VDC-200mA 250VAC |
| ELECTRICAL LIFE: | 500,000 make-and-break cycles at full load |
| CONTACT RESISTANCE: | 50m-ohms max. |
| INSULATION RESISTANCE: | 1G Ω min. at 500VDC |
| DIELECTRICAL STRENGTH: | 1500VAC rms |
| OPERATING TEMPERATURE: | -30°C to +85°C |



Specifications:

RELAIBILITY PERFORMANCE

| | |
|----------------------------|--|
| MECHANICAL LIFE: | Without load, 1,000,000 cycles min |
| OPERATING FORCE: | 2N~5N max |
| TORQUE: | 1.5 Nm max. (applied to nut.) |
| IP PROTECTION CLASS: | IP67(Upper side:Protected against the effects of temporary immersion in water.) |
| SOLDERING HEAT RESISTANCE: | Max soldering temperature @ 260±5°C, immersion time 5±1sec |
| COLD TEST: | Stored at temperature -30(+/-3)°C for 96 hours, shall result no changes to switch's electrical performance |
| HOT TEST: | Stored at temperature +85(+/-3)°C for 96 hours, shall result no changes to switch's electrical performance |
| HUMIDITY TEST: | Stored at temperature 40(+/-2)°C with relative humidity 90%~95% for 96 hours, shall result no changes to switch's electrical performance |

MATERIAL CHARACTERISTICS

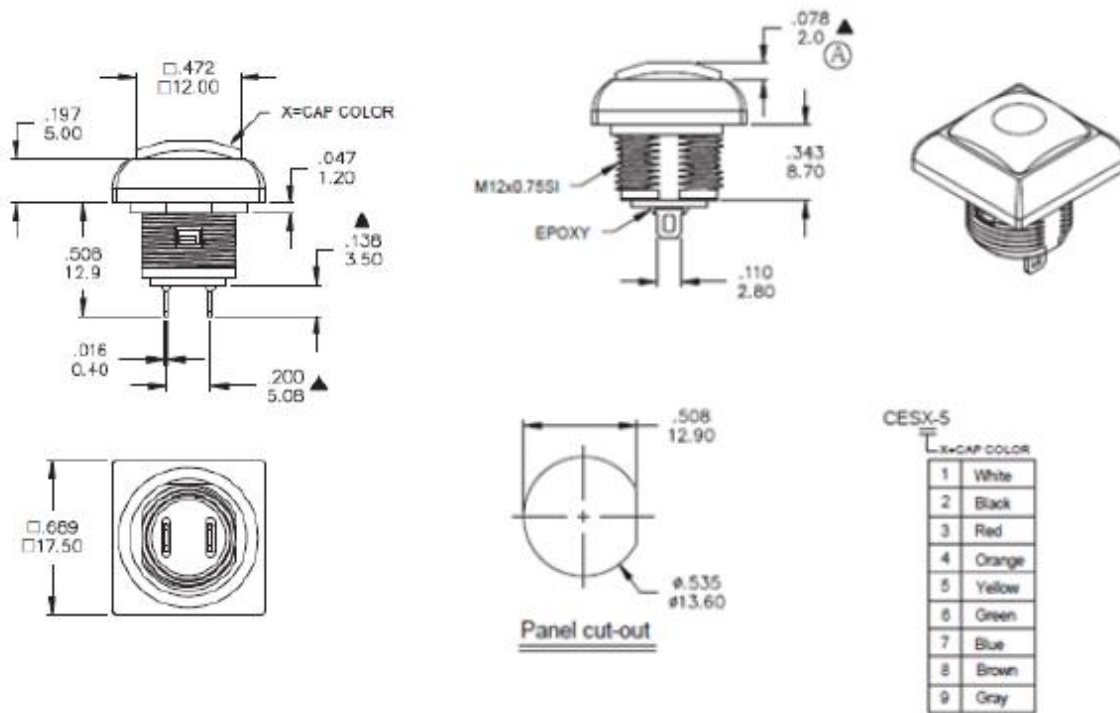
| | |
|-------------------|-------------------------|
| CASE: | DAP |
| CAP BUSHING: | Polyamide 6/6 |
| CONTACT TERMINAL: | Gold over silver plated |

SOLDERING & CLEANING RECOMMENDATION

| | |
|-------------------|---|
| HAND SOLDERING: | Max. temperature @ 350Celsius degree with continuous soldering time @ 5sec. max. |
| CLEANING PROCESS: | Noted, the switch is "not totally sealed" so it is important not to immerse/spray or clean unsealed areas of the switch during flux removal. Improper cleaning could cause switch deficiencies such as intermittence or open contact failures |

RS P/N

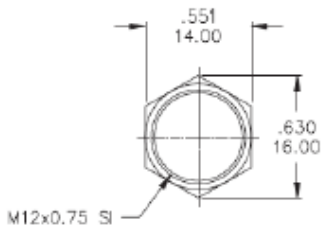
| | |
|---|---------|
| Single Pole off / Momentary Square Black Chrome | 8919810 |
| Single Pole off / Momentary Square Red Chrome | 8919814 |
| Single Pole off / Momentary Square Blue Chrome | 8919823 |
| Single Pole off / Momentary Square White Chrome | 8919826 |
| Single Pole off / Momentary Square Green Chrome | 8919820 |



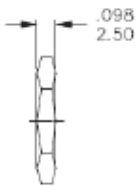
| Model No. | POS.1 | POS.2 |
|-------------|-------|-------|
| | | |
| PAS6 | OFF | MOM |
| Term. Comm. | OPEN | SHORT |
| SCHEMATIC | | |

SWITCH FUNCTION

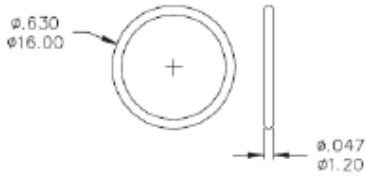
HARDWARE



MNU-PA03



MNU-1M09



FCP- A253

| | PART NO. | PART NAME | QTY |
|---|-----------|-----------------|-----|
| 1 | MNU- PA03 | M12 X 0.75 NUTS | 1 |
| 2 | MNU-1M09 | LOCKING WASHER | 1 |
| 3 | FCP-A253 | O-RING | 1 |