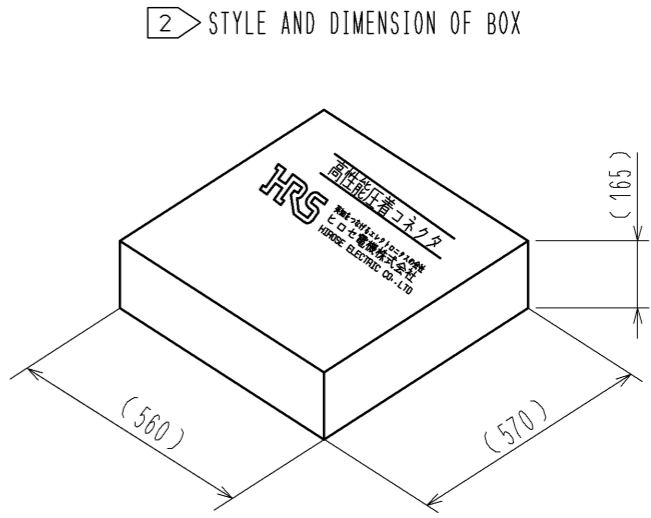
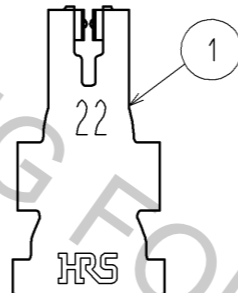
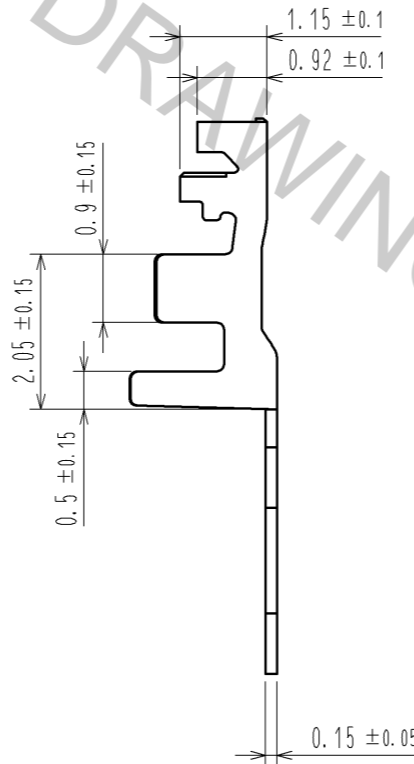
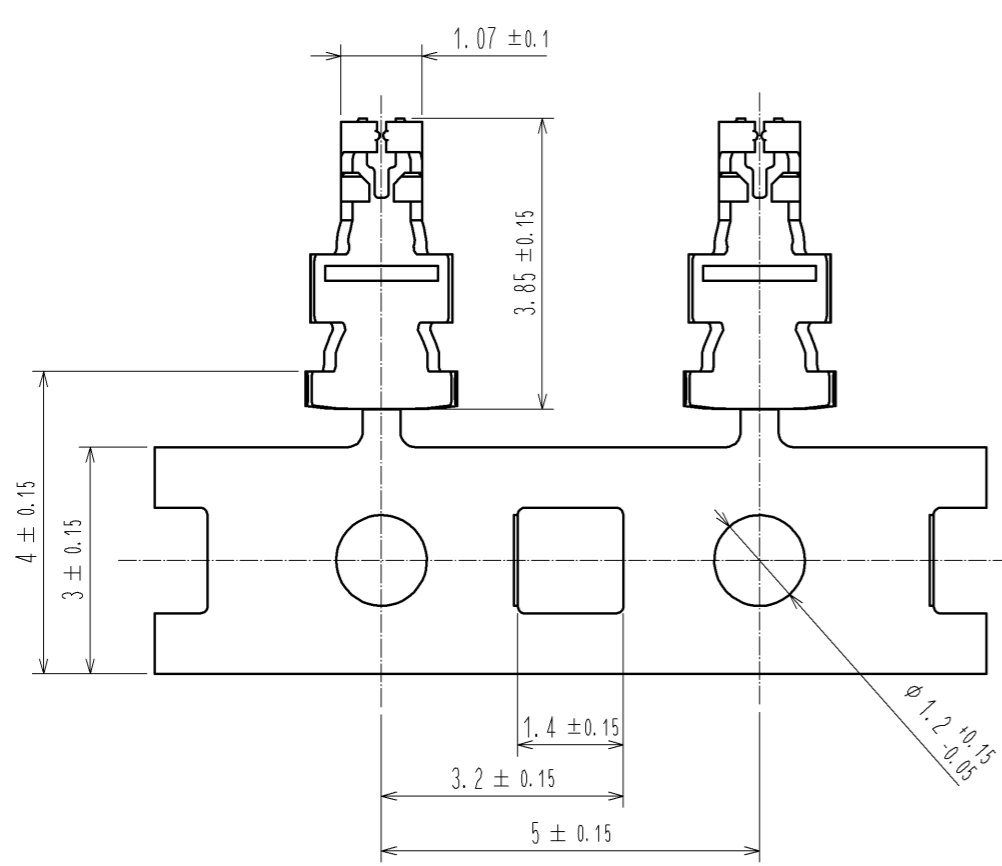
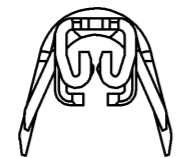
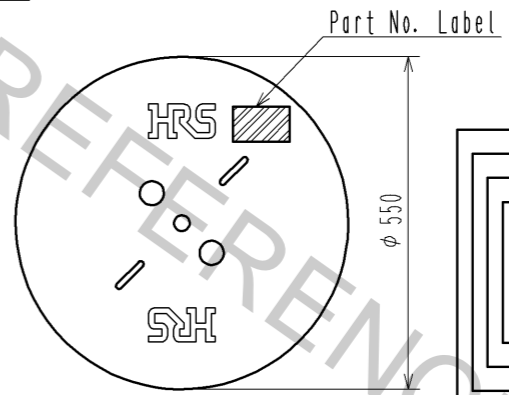


Nov.1.2016 Copyright 2016 HIROSE ELECTRIC CO., LTD. All Rights Reserved.



2 STYLE AND DIMENSION OF REEL



Detail of part No. Label

HRS		検査
品名コード	CL666-5004-0	Section Lot No. Specification Quantity Part No. Code No.
品名	DF61-2630SCF(41)	
数量	18000	
LOT No.		
継ぎ目		
		検査

- NOTE 1. 1RL:18000 CONTACTS.  
 2. STYLE OF REEL AND BOX SHOWS IN FIGURE.  
 3. A MAXIMUM OF 5 REELS ARE PACKED UP IN ONE BOX.  
 4. PLEASE BE SURE TO CHECK THE FORM OF CRIMPING USING A CABLE. WHEN YOU ADJUST APPLICATOR.

NO.		MATERIAL		FINISH . REMARKS		NO.		MATERIAL		FINISH . REMARKS	
UNITS mm		SCALE 10 : 1		COUNT		DESCRIPTION OF REVISIONS		DESIGNED		CHECKED	
HRS		HIROSE ELECTRIC CO., LTD.		APPROVED : KI. AKIYAMA		12.06.28		DRAWING NO.		EDC3-342494-01	
				CHECKED : HK. UMEHARA		12.06.28		PART NO.		DF61-2226SCF(41)	
				DESIGNED : TT. OHSAKO		12.06.28		CODE NO.		CL666-5004-0-41	
				DRAWN : TT. OHSAKO		12.06.28				1/1	