

THIS DRAWING IS UNPUBLISHED.

RELEASED FOR PUBLICATION NOV ,2006.

REVISIONS

© COPYRIGHT 2006 By -

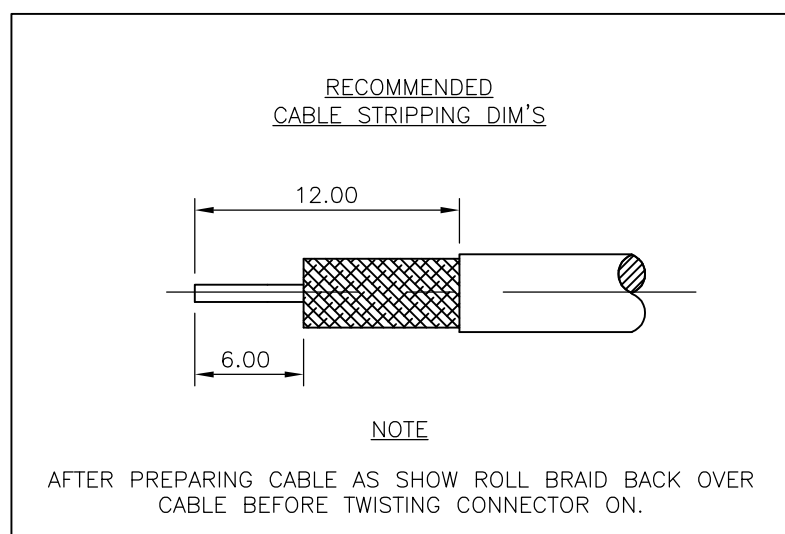
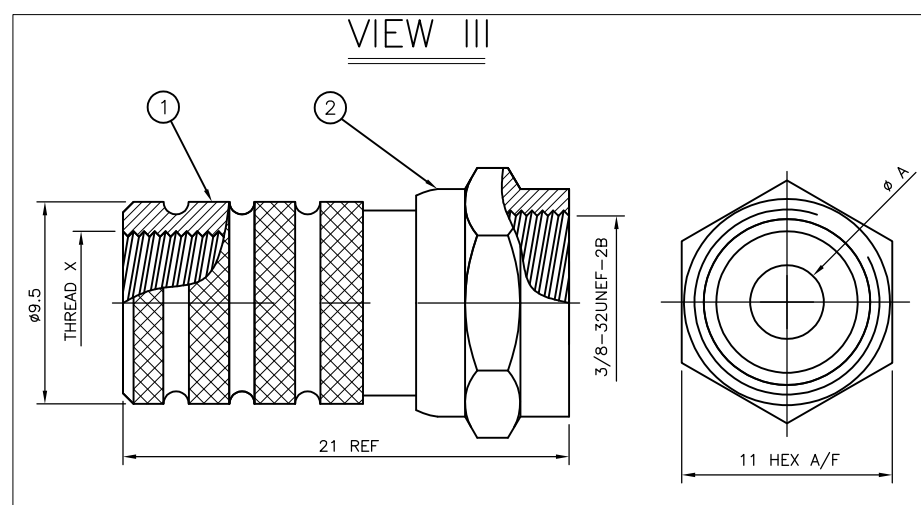
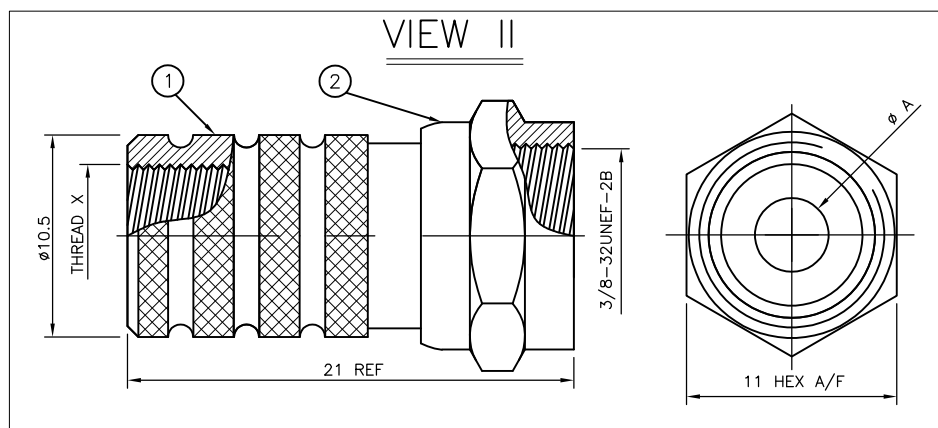
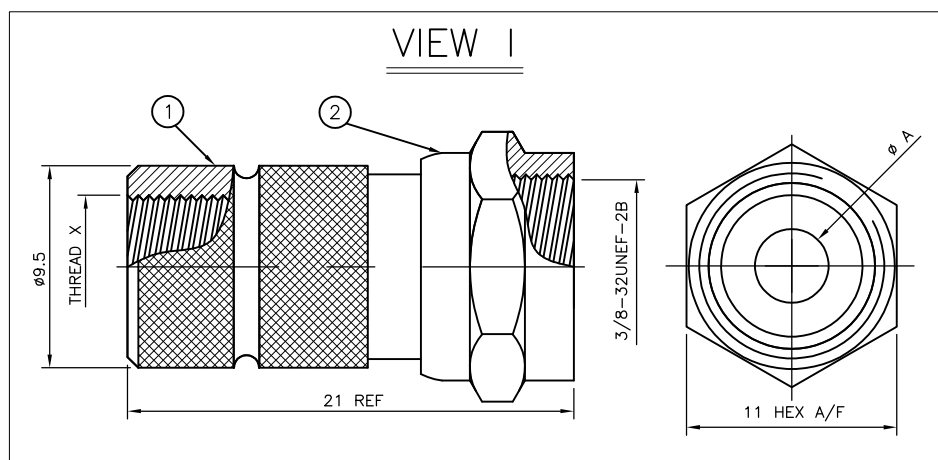
ALL RIGHTS RESERVED.

P	LTR	DESCRIPTION	DATE	DWN	APVD
	C1	REVISED PER ECO-13-001327	31MAY13	RZ	MY

NOTES

- 1 SINGLE PACK IN ACCORDANCE WITH AMP SPEC 107-3275
- 2 100 TRAY PACK IN ACCORDANCE WITH AMP SPEC 107-3275
- 3 Ni PLATING
- 4. FOR TECHNICAL DATA REFER TO YOUR LOCAL TE CONNECTIVITY SALES OFFICE
- 5. ALL DIMENSIONS ARE NOMINAL FOR REFERENCE ONLY UNLESS OTHERWISE STATED

THREAD X	A	CABLE GROUPS	PART NO.
M8	5.60	CT125	5-1814822-7
OBSOLETE	M8	5.60	5-1814822-6
M7	4.90	CT100	5-1814822-5
OBSOLETE	M7	4.90	5-1814822-4
M9	4.90	RG6/U	5-1814822-3
OBSOLETE	M9	4.90	5-1814822-2
OBSOLETE	1/4-20UNC-2B	3.90	RG59B/U, 62A/U, 140/U, 210/U, URM90, Belden 9291, 9291, KX6A, KX25, KX52, KX53
OBSOLETE	1/4-20UNC-2B	3.90	RG59B/U, 62A/U, 140/U, 210/U, URM90, Belden 9291, 9291, KX6A, KX25, KX52, KX53



VIEW III		VIEW II		VIEW I		MATERIAL	DESCRIPTION	ITEM
OBSOLETE	OBSOLETE	OBSOLETE	OBSOLETE	OBSOLETE	OBSOLETE			
1	1	1	1	1	1	ZINC ALLOY	COUPLING NUT	2
1	1	1	1	1	1	BRASS	BODY	1
5	75	65	55	45	35			
25	15	0						

QUANTITY PER ASSY

PARTS LIST

THIS DRAWING IS A CONTROLLED DOCUMENT.

DWN ANSON MA 14FEB09  
CHK RITA ZUO 14FEB09  
APVD BOB ZHAO 14FEB09

PRODUCT SPEC 108-112000  
APPLICATION SPEC

STE TE Connectivity

F TYPE STR PLG T/O

SIZE A3 CAGE CODE 00779 DRAWING NO C-1814822 RESTRICTED TO -

WEIGHT -

CUSTOMER DRAWING SCALE NTS SHEET 1 OF 1 REV C1