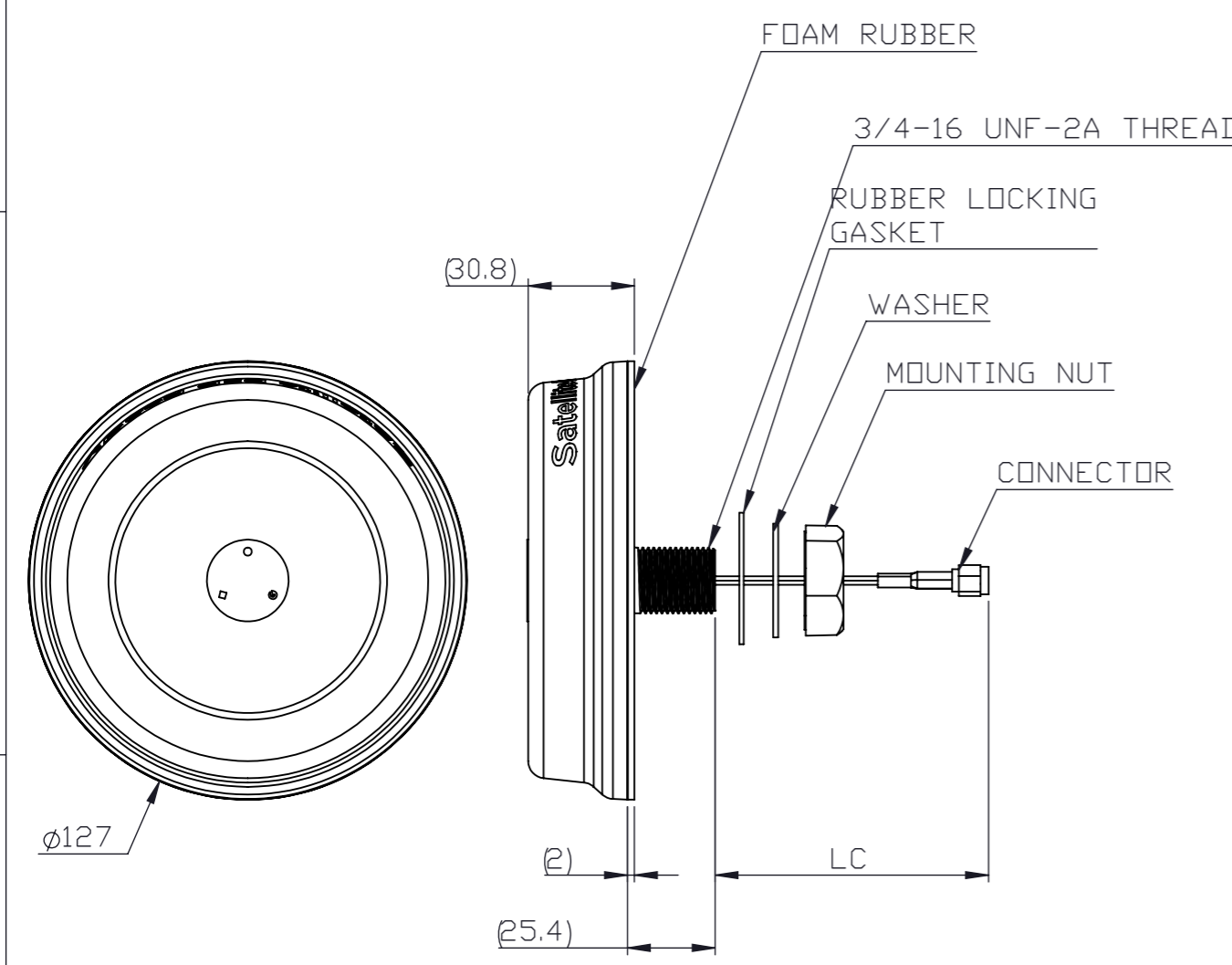


© 2025 TE Connectivity. All Rights Reserved.

REVISIONS

REV	DESCRIPTION	DATE	DWN	APVD
A	PRODUCTION RELEASE	18JUN25	LC	LL



PARAMETER	PERFORMANCE								
TE CONNECTIVITY PART NUMBER	L001254-01								
ANTENNA TYPE	SISO OMNI								
CONNECTOR TYPE	SMA MALE								
CABLE TYPE	RG316								
PIGTAIL LENGTH ,LC	610.00±15.00[24.015±.590] (2FT ±0.05FT)								
FREQUENCY BANDS, MHZ	698-806	824-894	880-960	1710-1880	1850-1990	1910-2170	2300-2500	2500-2700	
PEAK GAIN, DBI (TYP)									
ON METAL HOUSING	2.1	0.7	1.7	5.4	4.6	4.5	3.4	3.7	
ON PLASTIC HOUSING W/ GROUND PLANE KIT	2.4	1.1	2.3	5.5	4.4	4.0	3.8	3.8	
PEAK GAIN, DBI (MAX)									
ON METAL HOUSING	2.5	1.1	2.3	5.9	4.8	4.9	3.8	4.0	
ON PLASTIC HOUSING W/ GROUND PLANE KIT	2.9	1.4	3.1	5.9	5.3	4.3	4.4	4.3	
MAXIMUM VSWR	3.0:1								
NOMINAL IMPEDANCE	50Ω								
MAX POWER (AMBIENT TEMP OF 25°C)	10 WATTS								
POLARIZATION	LINEAR, VERTICA								
AZIMUTH BEAM WIDTH	OMNIDIRECTIONA								
WEIGHT	APPROXIMATELY 0.2KG (0.44LB)								
STORAGE TEMPERATURE (°C)	-40° C TO +85° C (-40°F TO +185°F)								
OPERATIONAL TEMPERATURE (°C)	-30° C TO +70° C (-22°F TO +158°F)								
OUTDOOR RATED	YES, IP67								
RADOME	PC, UL94 V-0 RATING, BLACK								
ROHS	YES								

THIS DRAWING IS A CONTROLLED DOCUMENT.		DWN LC TAN			
		CHK -			
DIMENSIONS: mm		APVD LL TEQH	NAME OMNI SISO 3G-4G,SMAM,RG316		
		PRODUCT SPEC -	RESTRICTED TO		
TOLERANCES UNLESS OTHERWISE SPECIFIED: 0 PLC ±0.5 1 PLC ±0.25 2 PLC ±0.13 3 PLC ± 4 PLC ± ANGLES ±30'		APPLICATION SPEC -	SIZE A3	CAGE CODE 00779	DRAWING NO C=C-L001254-01
MATERIAL -		FINISH -	WEIGHT -	SCALE 1:2	SHEET 1 OF 1
CUSTOMER DRAWING			REV A		