

# NH fuse-links aM 690VAC

double indicator/live tags size 000, 00, 0, 1, 2, 3

## LOW VOLTAGE IEC FUSES

### IEC NH FUSE-LINKS



The NH system is classified among plug-in fuse systems and is composed of:

- fuse-base (possibly including terminal covers and phase barriers)
- fuse-link with blade contact
- fuse-link replacement device (LV HRC fuse puller)

Since the design of this system cannot guarantee non-interchangeability of rated current it must be handled by a qualified professional.

Type “aM” NH fuse-links are partial-range breaking capacity fuse-links, used to protect motor circuits as they are strongly current-limiting and have low power losses. They interrupt currents from 6.3 times  $I_n$  up to their maximum breaking capacity and are therefore suited for short-circuit protection only. They must be associated with other switchgear for protection against overloads. These fuse-links can have a rated current equal to the motor’s nominal current.

## TECHNICAL DATA OVERVIEW

Voltage AC	690 VAC
Ampere Range (A)	2 ... 500 A
Size per Standard	000, 00, 0, 1, 2, 3
Speed/Characteristic	aM
I.R. AC	80 kA
Body Material	ceramic
Contact Materials	copper, silver-plated

## FEATURES & BENEFITS

- Dimensions according to DIN 43 620 parts 1 to 4
- Non-isolated gripping lugs
- Double indicator
- Lead free contact blades
- 0% cadmium

## APPLICATIONS

- aM: Partial purpose, motor circuit protection

## STANDARDS

- VDE 0636 Part 201
- IEC 60269-1 and -2



# NH fuse-links aM 690VAC

double indicator/live tags size 000, 00, 0, 1, 2, 3

## PRODUCT RANGE



NH000AM69V10

### Size 000

Catalog number	Reference number	Rated voltage AC (IEC)	Rated current I <sub>n</sub>	Power dissipation at I <sub>n</sub>	Weight	Package
NH000AM69V2	P227851	690 V	2 A	0.1 W	0.133 kg	3
NH000AM69V4	Q227852	690 V	4 A	0.2 W	0.133 kg	3
NH000AM69V6	R227853	690 V	6 A	0.3 W	0.133 kg	3
NH000AM69V10	S227854	690 V	10 A	0.5 W	0.133 kg	3
NH000AM69V16	T227855	690 V	16 A	0.7 W	0.133 kg	3
NH000AM69V20	V227856	690 V	20 A	0.9 W	0.133 kg	3
NH000AM69V25	W227857	690 V	25 A	1.2 W	0.133 kg	3
NH000AM69V32	X227858	690 V	32 A	1.5 W	0.133 kg	3
NH000AM69V35	Y227859	690 V	35 A	1.6 W	0.133 kg	3
NH000AM69V40	Z227860	690 V	40 A	1.8 W	0.133 kg	3
NH000AM69V50	A227861	690 V	50 A	2.3 W	0.133 kg	3
NH000AM69V63	B227862	690 V	63 A	2.9 W	0.133 kg	3



NH00AM69V125

### Size 00

Catalog number	Reference number	Rated voltage AC (IEC)	Rated current I <sub>n</sub>	Power dissipation at I <sub>n</sub>	Weight	Package
NH00AM69V50	D227864	690 V	50 A	2.3 W	0.2 kg	3
NH00AM69V63	E227865	690 V	63 A	2.9 W	0.2 kg	3
NH00AM69V80	F227866	690 V	80 A	3.6 W	0.2 kg	3
NH00AM69V100	G227867	690 V	100 A	5.2 W	0.2 kg	3
NH00AM69V125	H227868	690 V	125 A	6.4 W	0.2 kg	3



NH0AM69V160

### Size 0

Catalog number	Reference number	Rated voltage AC (IEC)	Rated current I <sub>n</sub>	Power dissipation at I <sub>n</sub>	Weight	Package
NH0AM69V6	K227870	690 V	6 A	0.3 W	0.26 kg	3
NH0AM69V10	L227871	690 V	10 A	0.5 W	0.26 kg	3
NH0AM69V16	M227872	690 V	16 A	0.8 W	0.26 kg	3
NH0AM69V20	N227873	690 V	20 A	1 W	0.26 kg	3
NH0AM69V25	P227874	690 V	25 A	1.3 W	0.26 kg	3
NH0AM69V32	Q227875	690 V	32 A	1.6 W	0.26 kg	3
NH0AM69V35	R227876	690 V	35 A	1.7 W	0.26 kg	3
NH0AM69V40	S227877	690 V	40 A	2 W	0.26 kg	3
NH0AM69V50	T227878	690 V	50 A	2.8 W	0.26 kg	3
NH0AM69V63	V227879	690 V	63 A	3.4 W	0.26 kg	3
NH0AM69V80	W227880	690 V	80 A	4.9 W	0.26 kg	3
NH0AM69V100	X227881	690 V	100 A	6 W	0.26 kg	3
NH0AM69V125	Y227882	690 V	125 A	7.9 W	0.26 kg	3
NH0AM69V160	Z227883	690 V	160 A	10.5 W	0.26 kg	3

MERSEN reserves the right to change, update or correct, without notice, any information contained in this datasheet.

# NH fuse-links aM 690VAC

double indicator/live tags size 000, 00, 0, 1, 2, 3

## PRODUCT RANGE



NH1AM69V250

### Size 1

Catalog number	Reference number	Rated voltage AC (IEC)	Rated current I <sub>n</sub>	Power dissipation at I <sub>n</sub>	Weight	Package
NH1AM69V16	B227885	690 V	16 A	1 W	0.43 kg	3
NH1AM69V20	C227886	690 V	20 A	1.2 W	0.43 kg	3
NH1AM69V25	D227887	690 V	25 A	1.4 W	0.43 kg	3
NH1AM69V32	E227888	690 V	32 A	1.9 W	0.43 kg	3
NH1AM69V35	F227889	690 V	35 A	2 W	0.43 kg	3
NH1AM69V40	G227890	690 V	40 A	2.3 W	0.43 kg	3
NH1AM69V50	H227891	690 V	50 A	2.9 W	0.43 kg	3
NH1AM69V63	J227892	690 V	63 A	3.6 W	0.43 kg	3
NH1AM69V80	K227893	690 V	80 A	4.6 W	0.43 kg	3
NH1AM69V100	L227894	690 V	100 A	5.8 W	0.43 kg	3
NH1AM69V125	M227895	690 V	125 A	7.5 W	0.43 kg	3
NH1AM69V160	N227896	690 V	160 A	10.4 W	0.43 kg	3
NH1AM69V200	P227897	690 V	200 A	14.2 W	0.43 kg	3
NH1AM69V224	Q227898	690 V	224 A	15.8 W	0.43 kg	3
NH1AM69V250	R227899	690 V	250 A	17.5 W	0.43 kg	3



NH2AM69V400

### Size 2

Catalog number	Reference number	Rated voltage AC (IEC)	Rated current I <sub>n</sub>	Power dissipation at I <sub>n</sub>	Weight	Package
NH2AM69V35	L227963	690 V	35 A	1.8 W	0.64 kg	3
NH2AM69V40	M227964	690 V	40 A	2.1 W	0.64 kg	3
NH2AM69V50	N227965	690 V	50 A	2.7 W	0.64 kg	3
NH2AM69V63	P227966	690 V	63 A	3.4 W	0.64 kg	3
NH2AM69V80	Q227967	690 V	80 A	4.4 W	0.64 kg	3
NH2AM69V100	R227968	690 V	100 A	5.5 W	0.64 kg	3
NH2AM69V125	S227969	690 V	125 A	6.4 W	0.64 kg	3
NH2AM69V160	T227970	690 V	160 A	9.3 W	0.64 kg	3
NH2AM69V200	V227971	690 V	200 A	11.3 W	0.64 kg	3
NH2AM69V224	W227972	690 V	224 A	12.2 W	0.64 kg	3
NH2AM69V250	X227973	690 V	250 A	16.8 W	0.64 kg	3
NH2AM69V300	Y227974	690 V	300 A	21 W	0.64 kg	3
NH2AM69V315	Z227975	690 V	315 A	23.1 W	0.64 kg	3
NH2AM69V355	A227976	690 V	355 A	26.4 W	0.64 kg	3
NH2AM69V400	B227977	690 V	400 A	29.7 W	0.64 kg	3



NH3AM69V500

### Size 3

Catalog number	Reference number	Rated voltage AC (IEC)	Rated current I <sub>n</sub>	Power dissipation at I <sub>n</sub>	Weight	Package
NH3AM69V250	D227979	690 V	250 A	14.6 W	1.05 kg	1
NH3AM69V300	E227980	690 V	300 A	21 W	1.05 kg	1
NH3AM69V315	F227981	690 V	315 A	21 W	1.05 kg	1
NH3AM69V355	G227982	690 V	355 A	23.3 W	1.05 kg	1
NH3AM69V400	H227983	690 V	400 A	29.1 W	1.05 kg	1
NH3AM69V425	J227984	690 V	425 A	29.1 W	1.05 kg	1
NH3AM69V450	K227985	690 V	450 A	34 W	1.05 kg	1
NH3AM69V500	L227986	690 V	500 A	42 W	1.05 kg	1

MERSEN reserves the right to change, update or correct, without notice, any information contained in this datasheet.

# NH fuse-links aM 690VAC

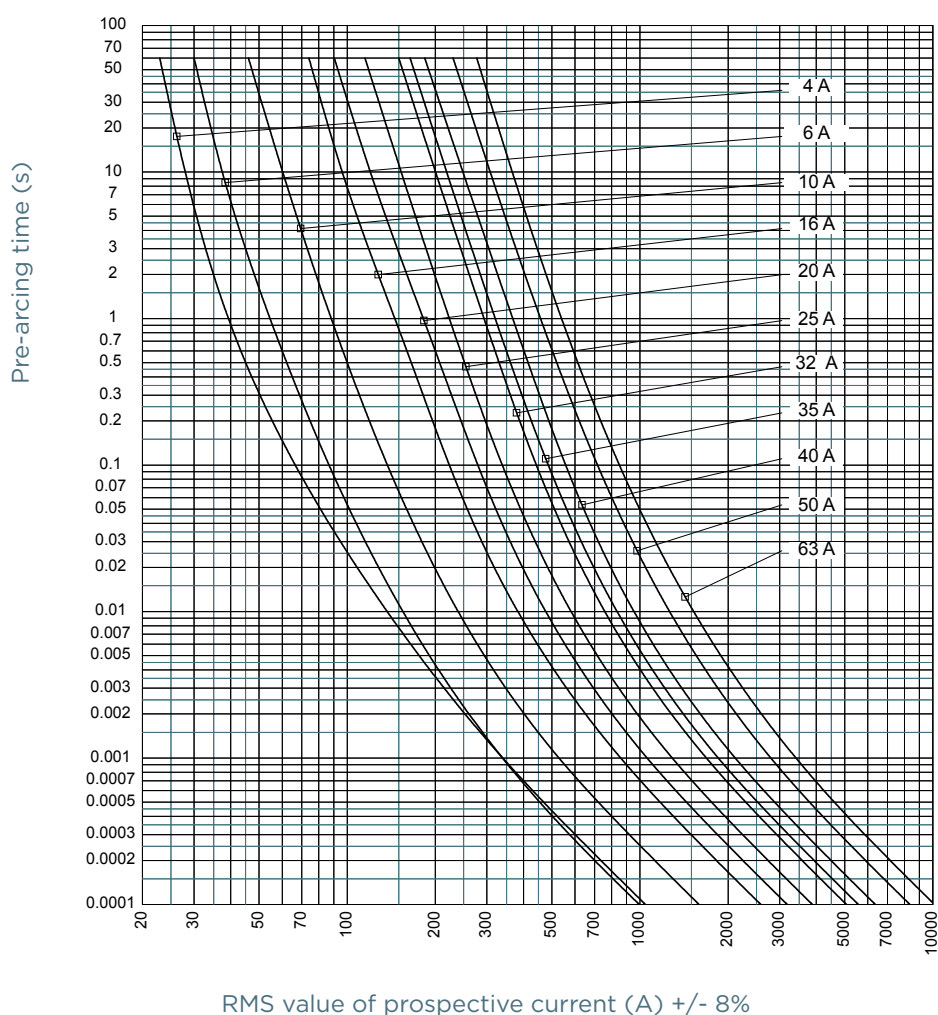
double indicator/live tags size 000, 00, 0, 1, 2, 3

## TECHNICAL DATA

	Size 000	Size 00	Size 0	Size 1	Size 2	Size 3
Rated current	2 ... 63 A	50 ... 125 A	6 ... 160 A	16 ... 250 A	35 ... 400 A	250 ... 500 A
Rated breaking capacity AC	80 kA	80 kA	80 kA	80 kA	80 kA	80 kA
Rated voltage AC	690 V	690 V	690 V	690 V	690 V	690 V
Indication System	double indicator	double indicator	double indicator	double indicator	double indicator	double indicator
Width	21 mm	30 mm	30 mm	40 mm	52 mm	72 mm

## TIME CURRENT CHARACTERISTIC CURVES

### Size 000



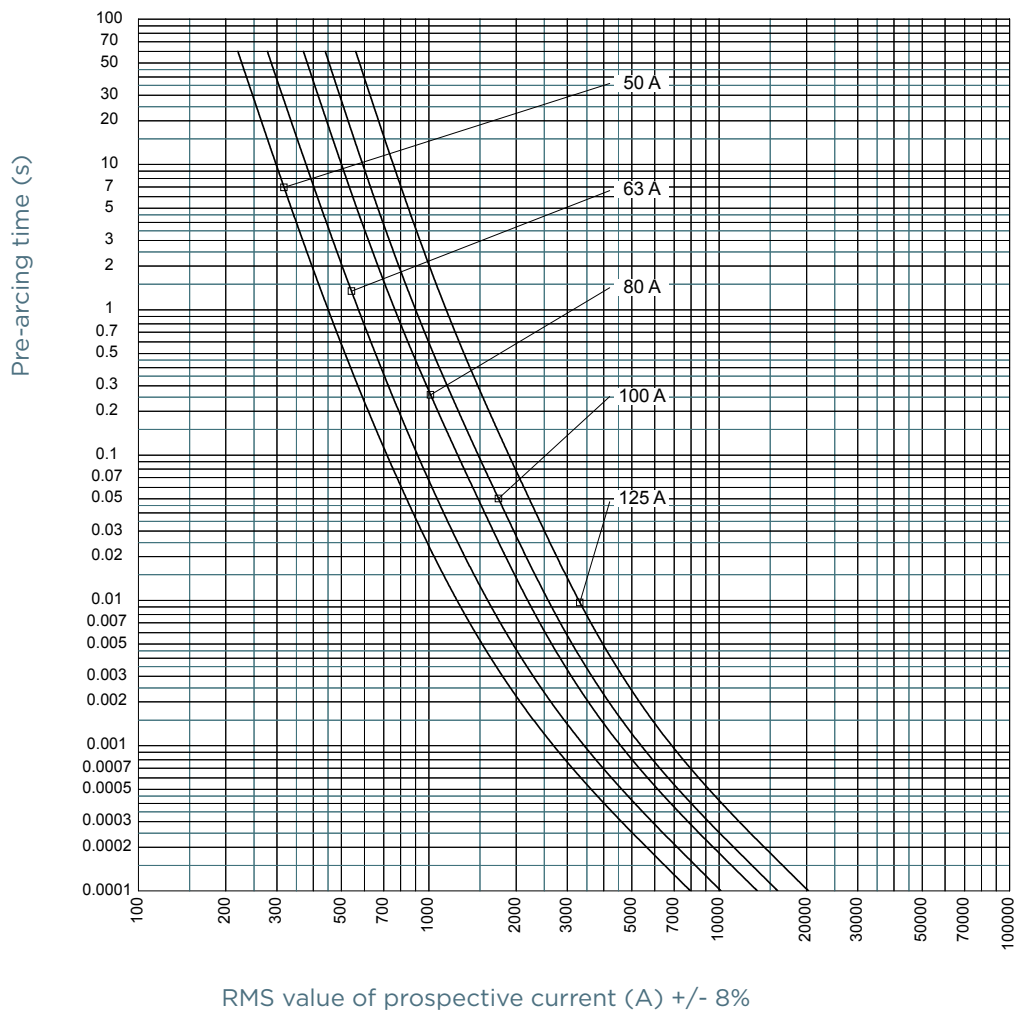
MERSEN reserves the right to change, update or correct, without notice, any information contained in this datasheet.

# NH fuse-links aM 690VAC

double indicator/live tags size 000, 00, 0, 1, 2, 3

## TIME CURRENT CHARACTERISTIC CURVES

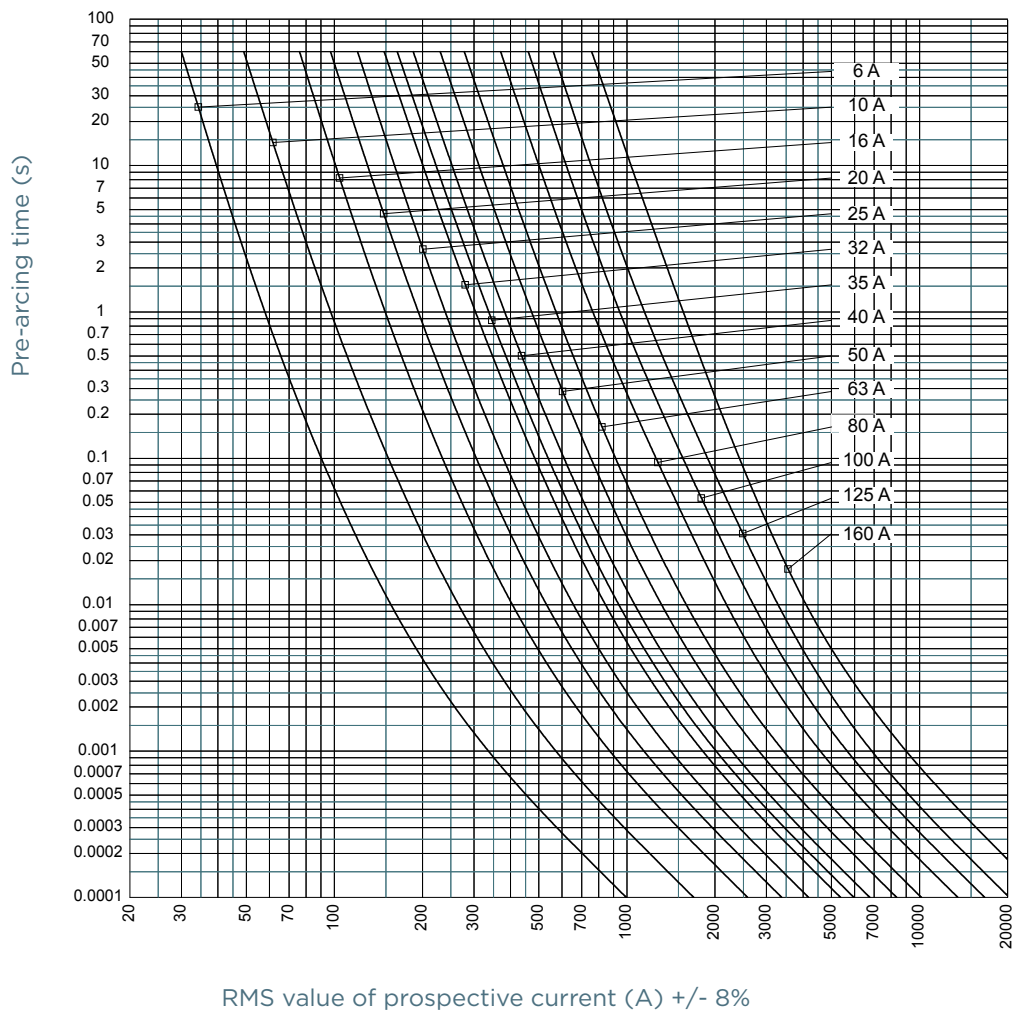
Size 00



MERSEN reserves the right to change, update or correct, without notice, any information contained in this datasheet.

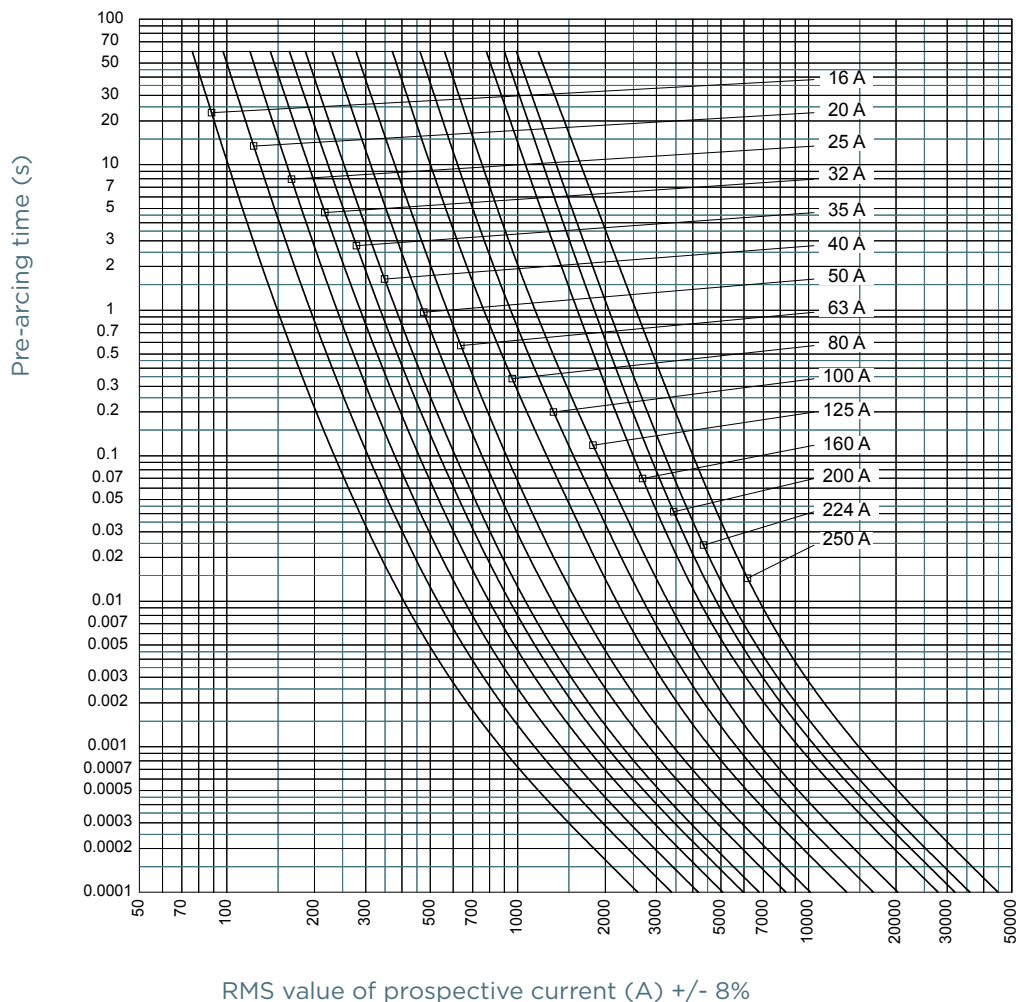
## TIME CURRENT CHARACTERISTIC CURVES

### Size 0



## TIME CURRENT CHARACTERISTIC CURVES

Size 1

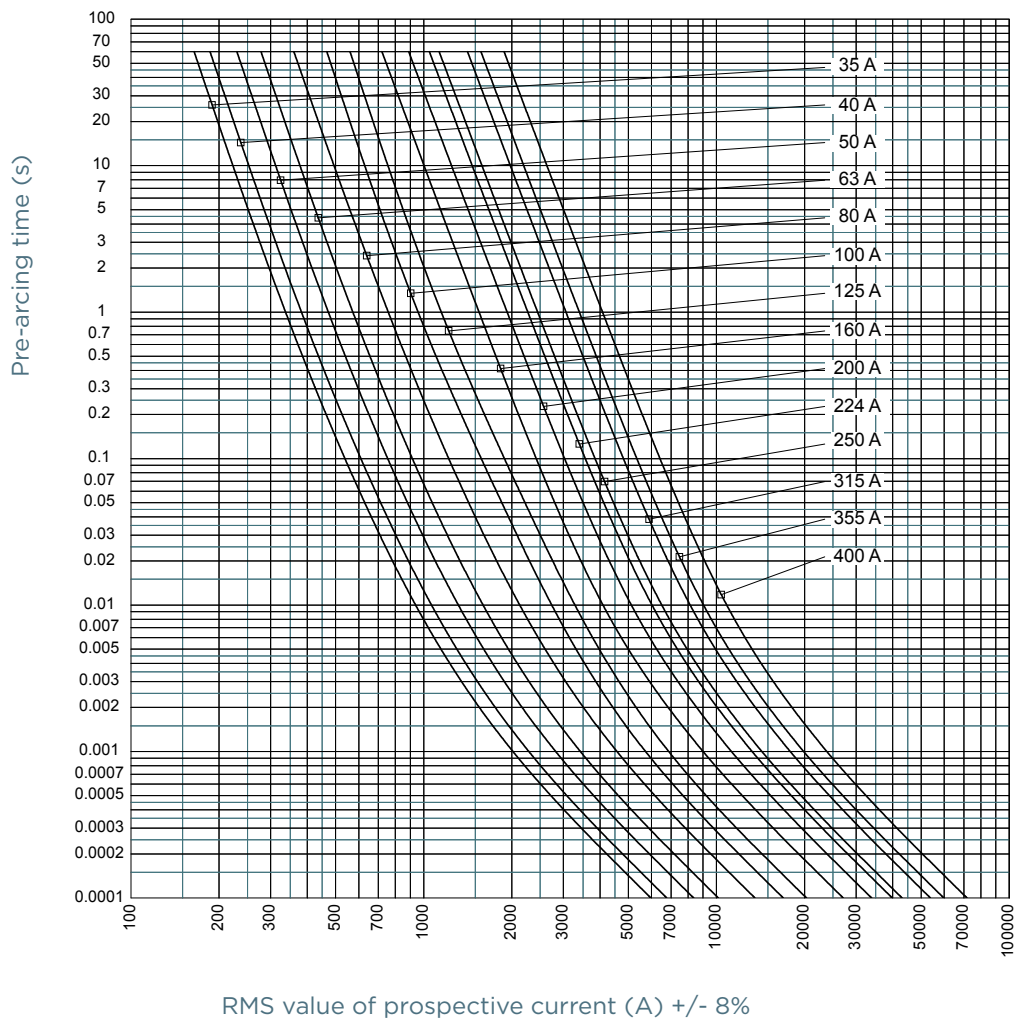


# NH fuse-links aM 690VAC

double indicator/live tags size 000, 00, 0, 1, 2, 3

## TIME CURRENT CHARACTERISTIC CURVES

### Size 2

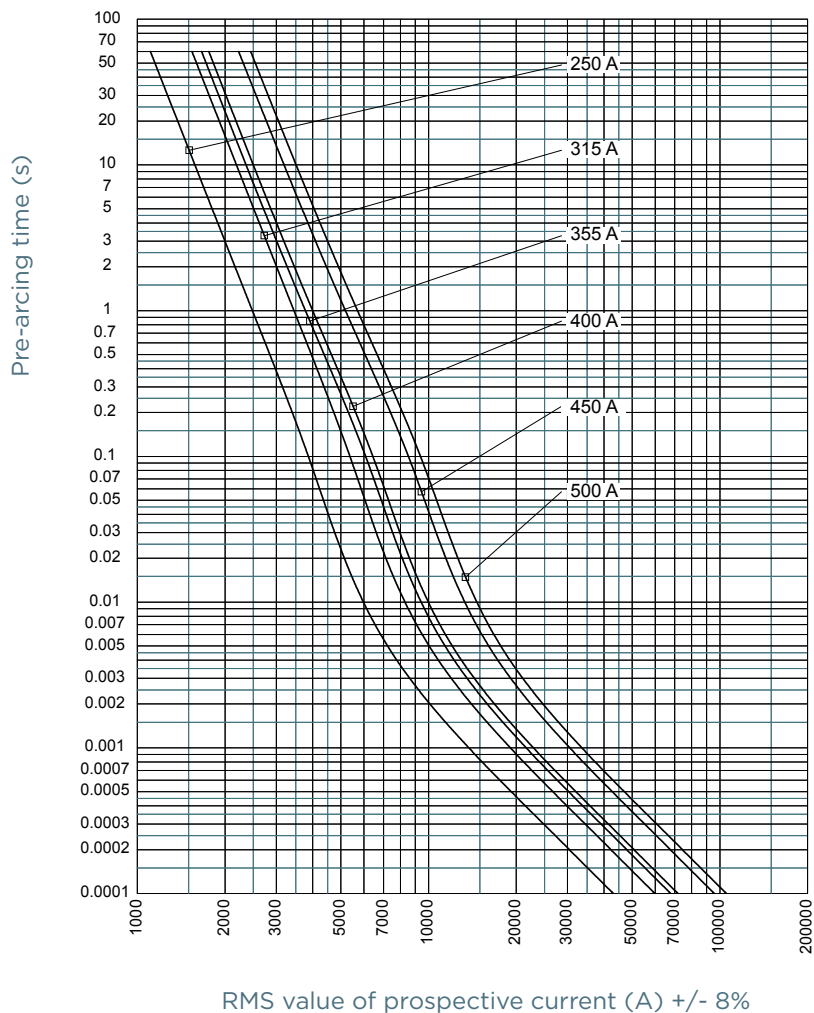


MERSEN reserves the right to change, update or correct, without notice, any information contained in this datasheet.



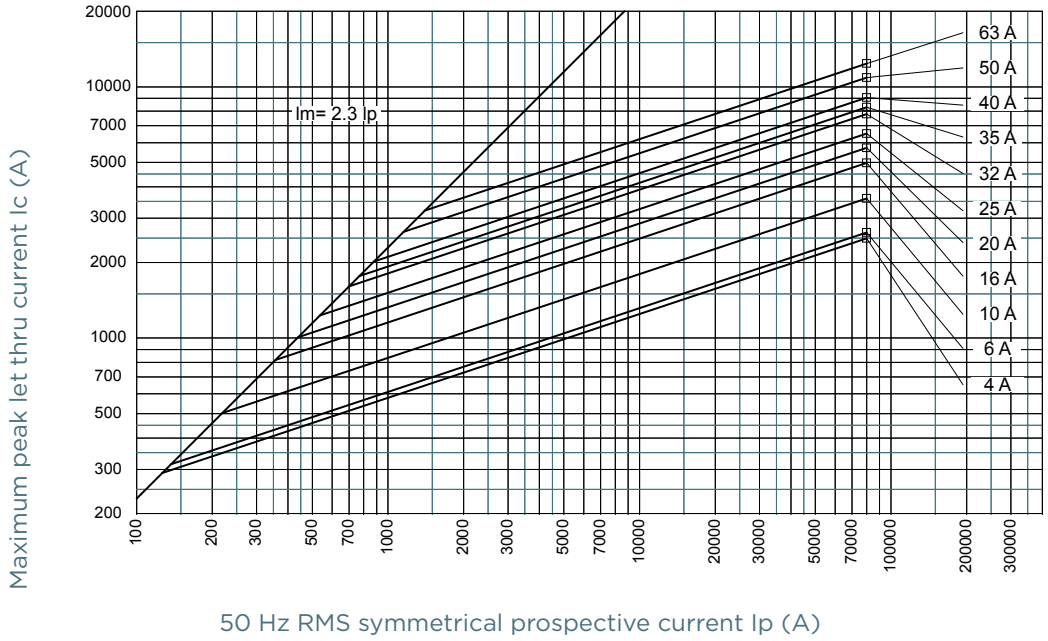
## TIME CURRENT CHARACTERISTIC CURVES

### Size 3

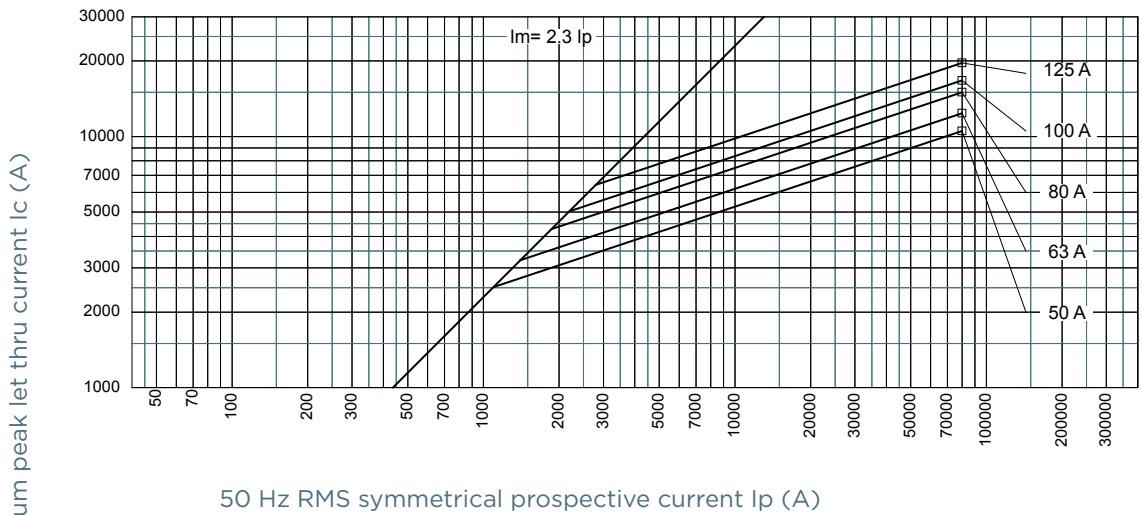


## CUT-OFF CURRENT CHARACTERISTIC

### Size 000



### Size 00

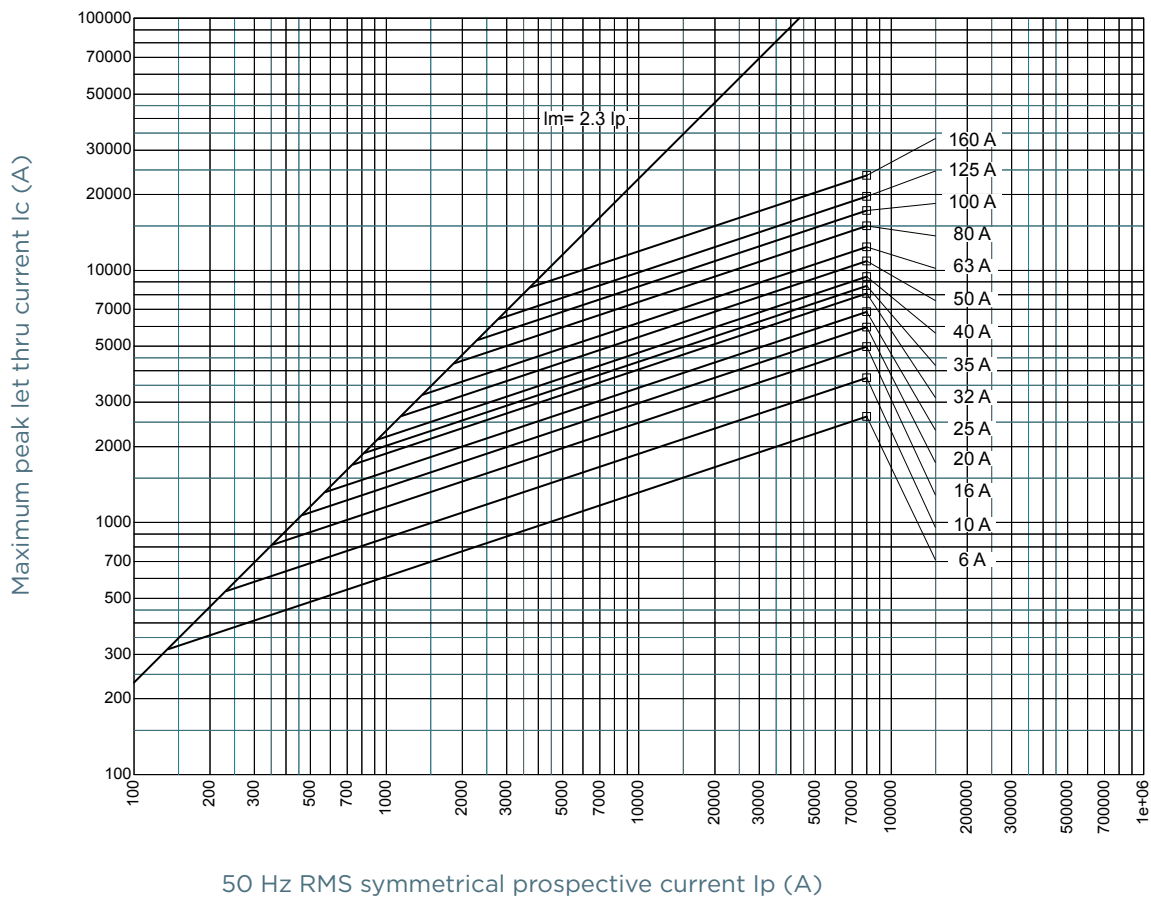


# NH fuse-links aM 690VAC

double indicator/live tags size 000, 00, 0, 1, 2, 3

## CUT-OFF CURRENT CHARACTERISTIC

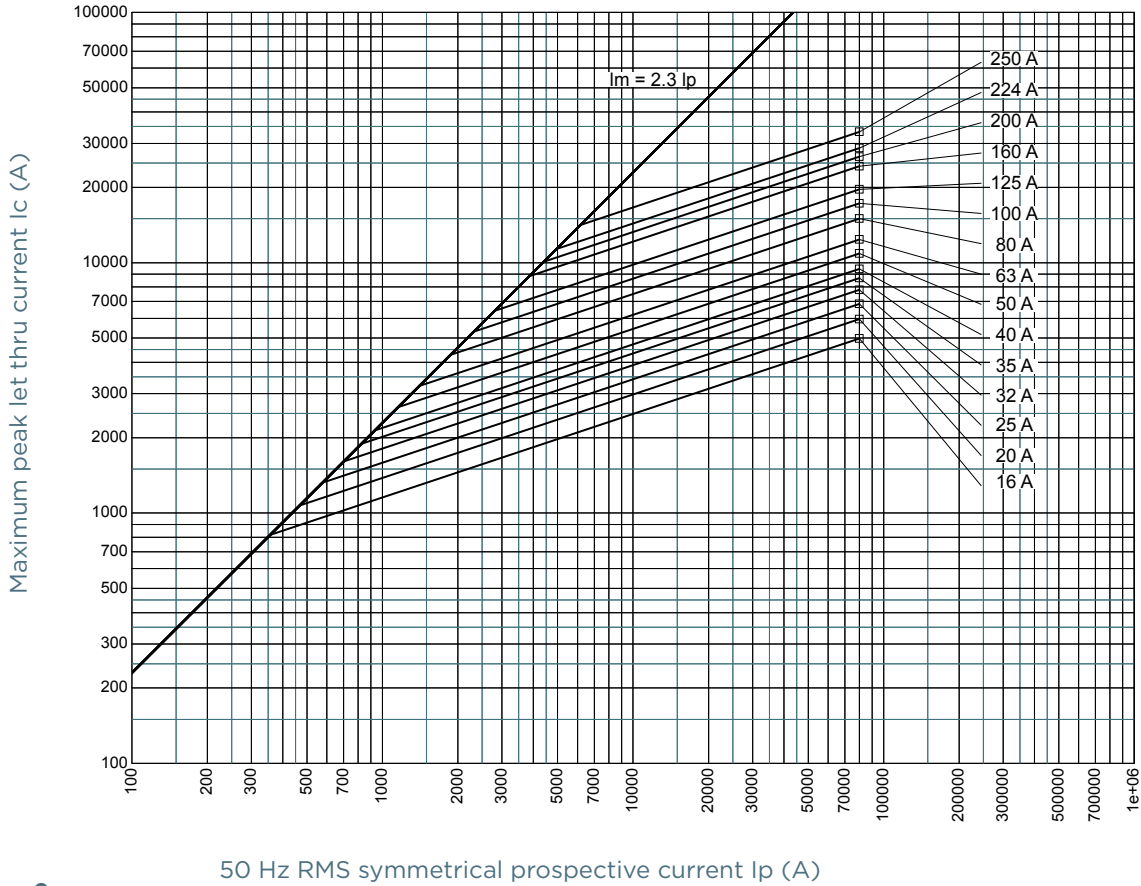
Size 0



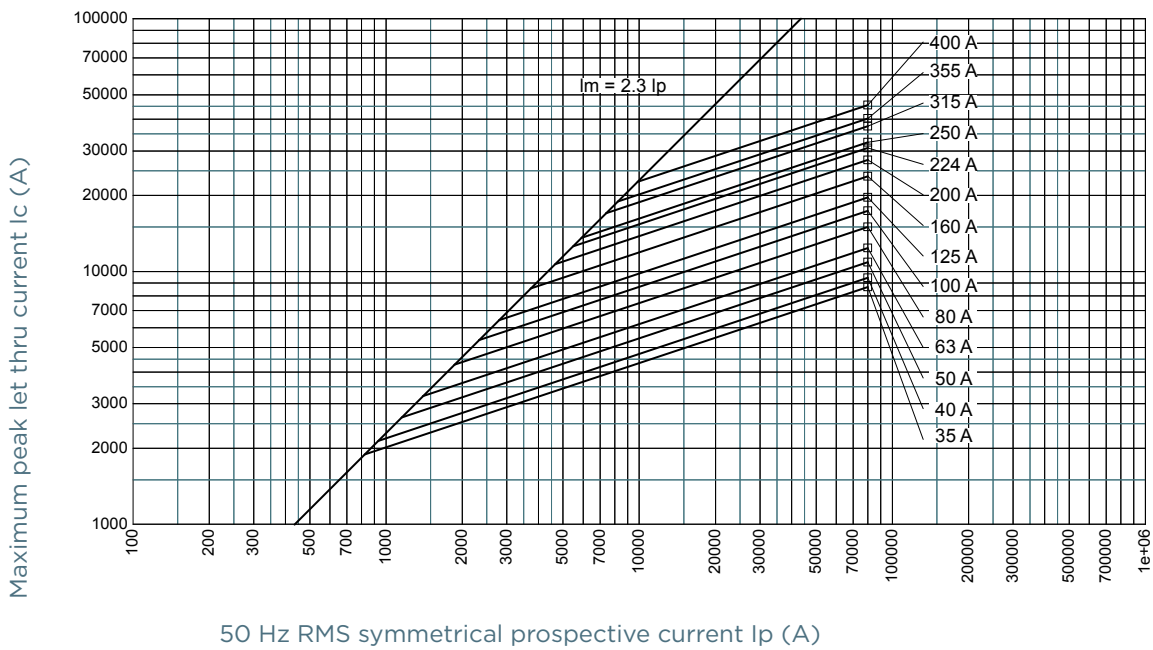
MERSEN reserves the right to change, update or correct, without notice, any information contained in this datasheet.

## CUT-OFF CURRENT CHARACTERISTIC

### Size 1



### Size 2

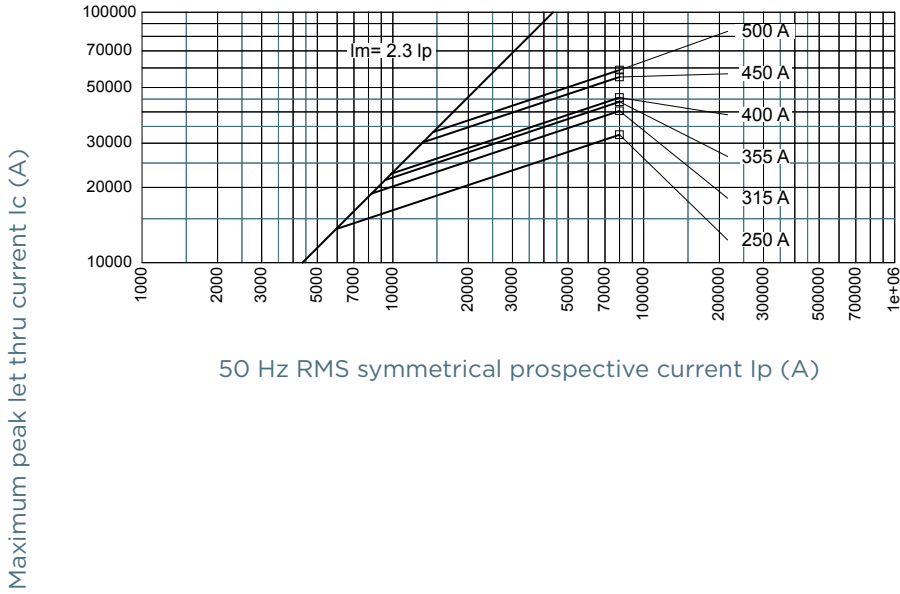


# NH fuse-links aM 690VAC

double indicator/live tags size 000, 00, 0, 1, 2, 3

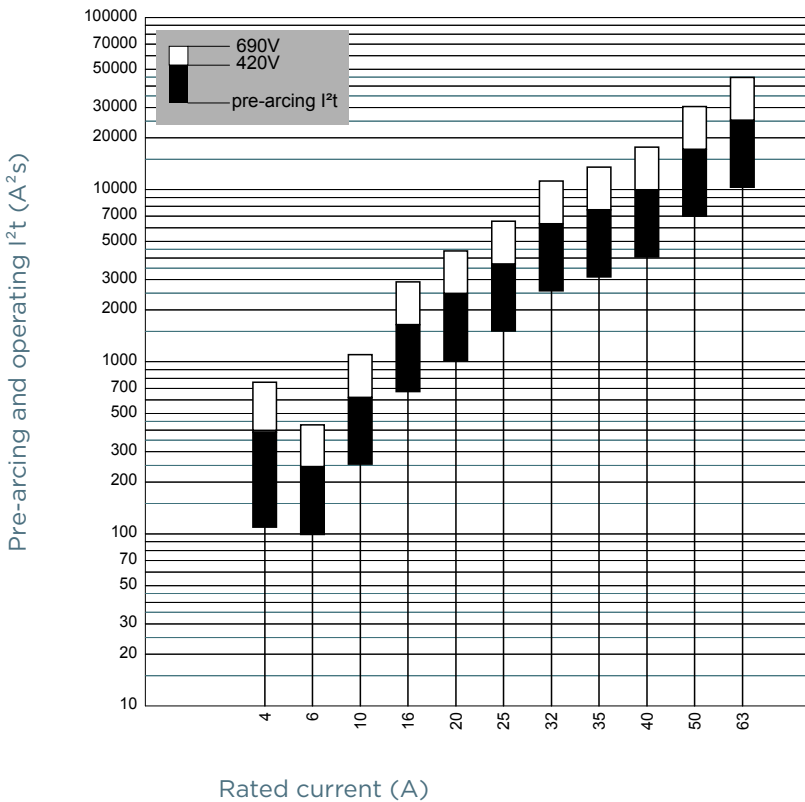
## CUT-OFF CURRENT CHARACTERISTIC

Size 3



## PRE-ARCING AND OPERATING $I^2t$ CHARACTERISTICS

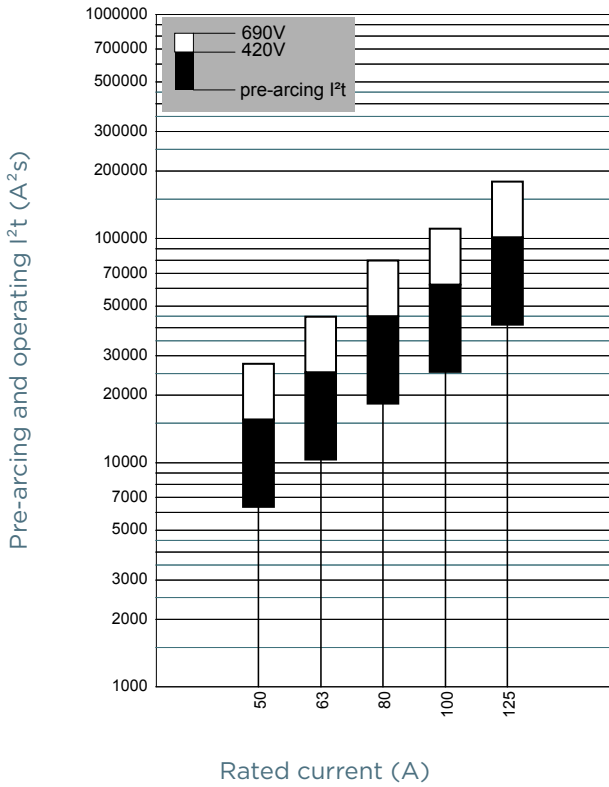
Size 000



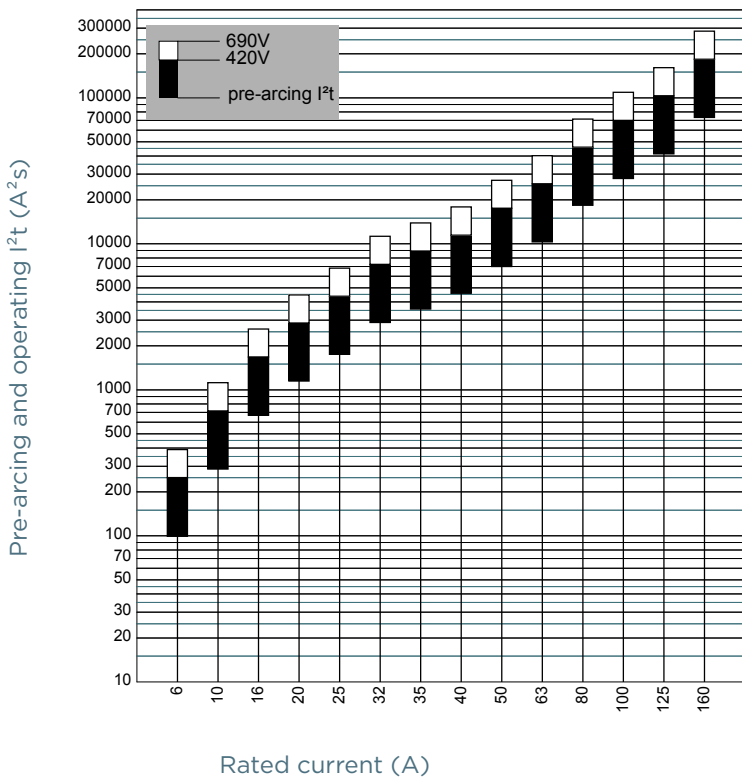
MERSEN reserves the right to change, update or correct, without notice, any information contained in this datasheet.

## PRE-ARCING AND OPERATING I<sup>2</sup>t CHARACTERISTICS

### Size 00



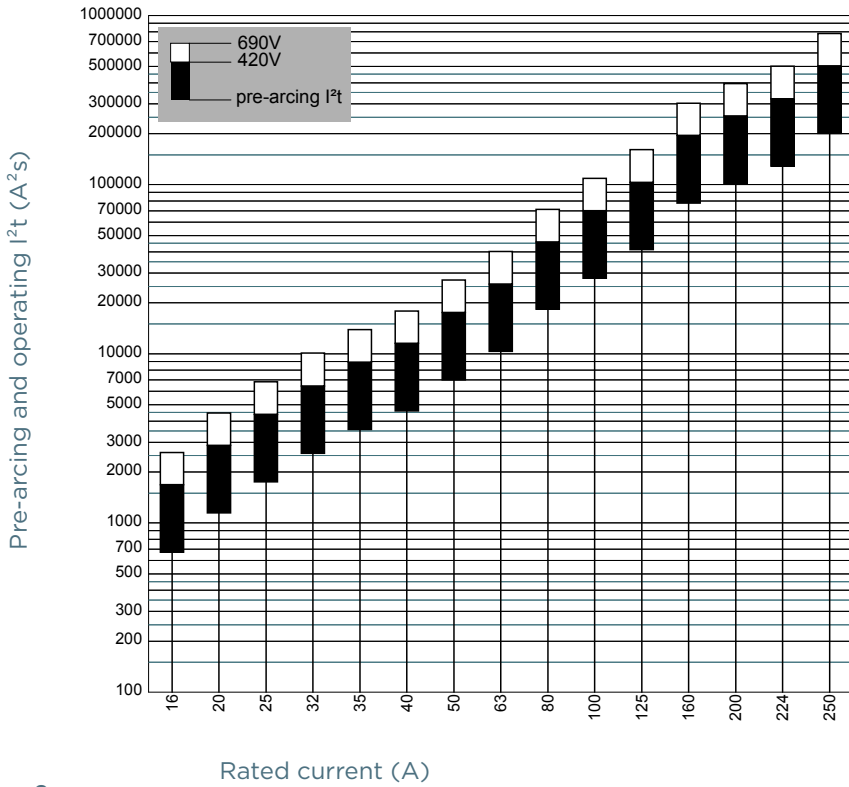
### Size 0



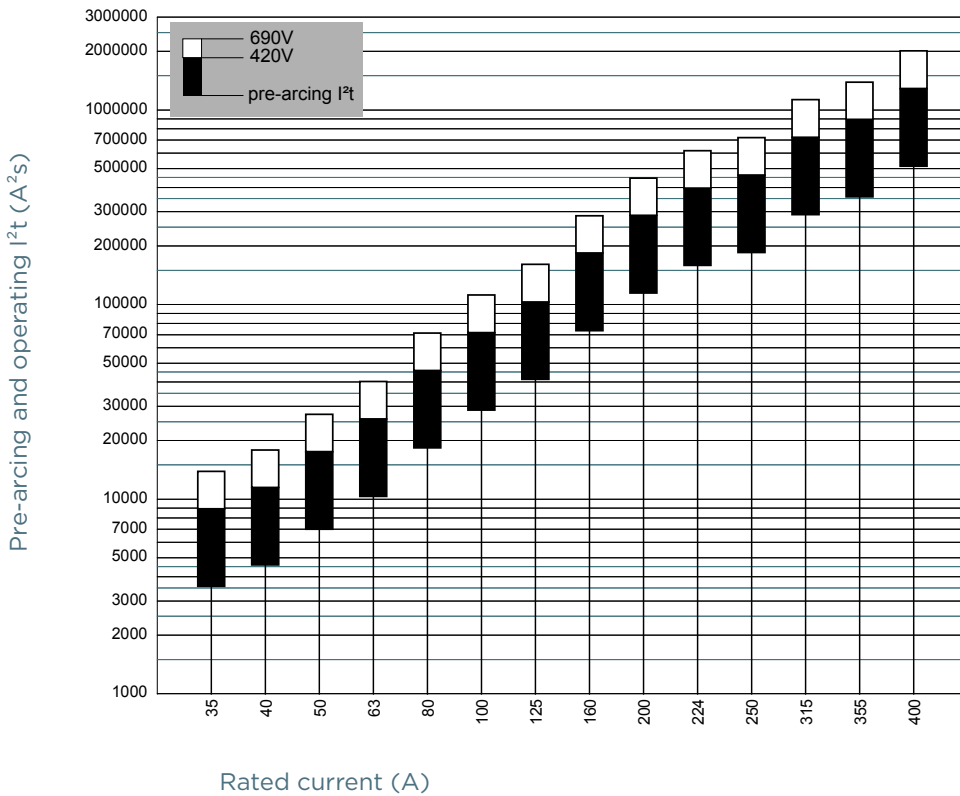
MERSEN reserves the right to change, update or correct, without notice, any information contained in this datasheet.

## PRE-ARCING AND OPERATING I<sup>2</sup>t CHARACTERISTICS

### Size 1



### Size 2

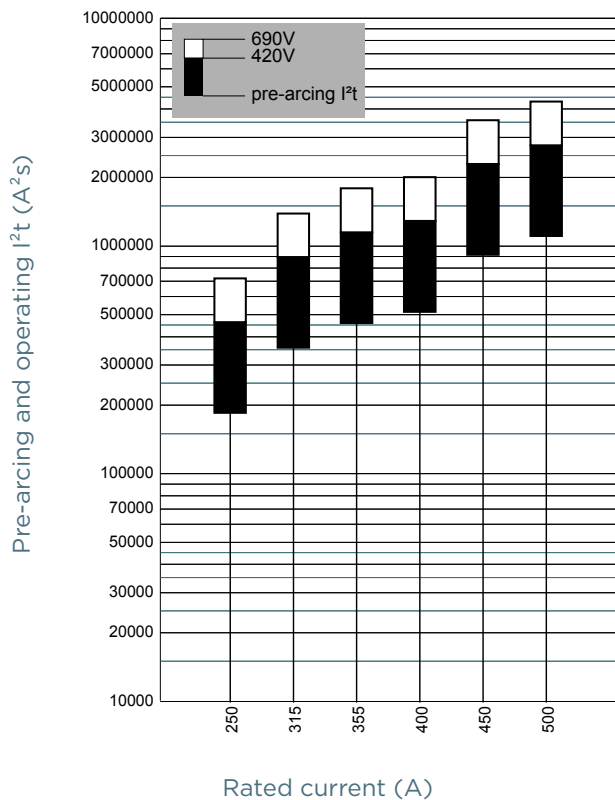


# NH fuse-links aM 690VAC

double indicator/live tags size 000, 00, 0, 1, 2, 3

## PRE-ARCING AND OPERATING I<sup>2</sup>t CHARACTERISTICS

### Size 3



MERSEN reserves the right to change, update or correct, without notice, any information contained in this datasheet.

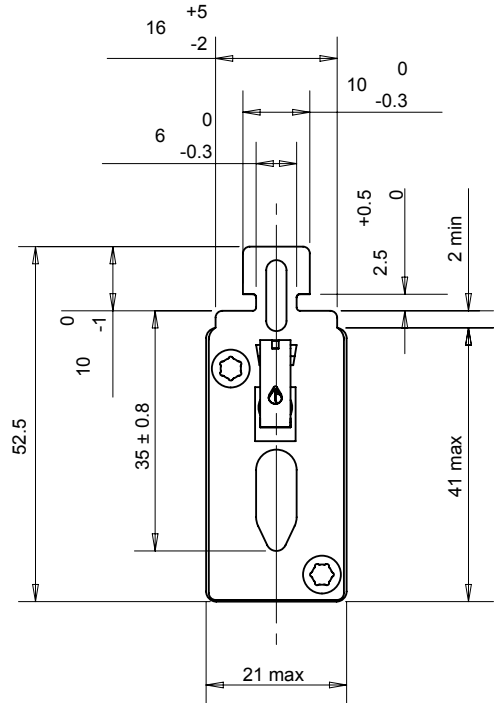
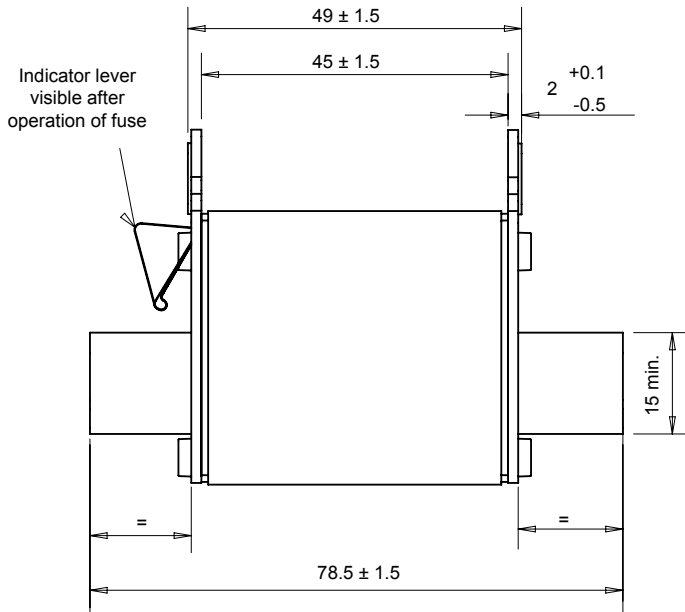


# NH fuse-links aM 690VAC

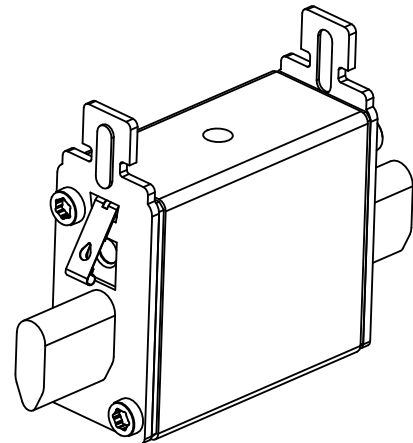
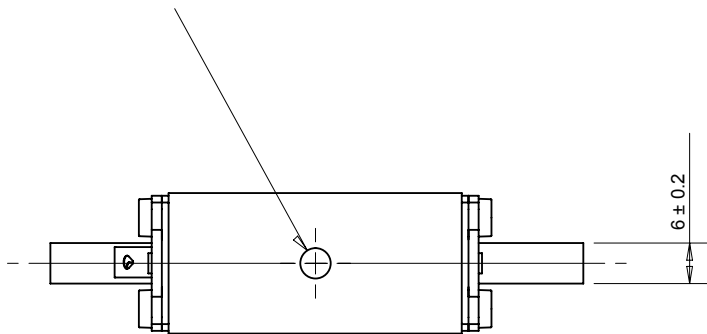
double indicator/live tags size 000, 00, 0, 1, 2, 3

## DIMENSIONS

### size 000 with double indicator



Visibility of red indicator signals conduction of the fuse-link.  
After operation the red indicator is no longer visible



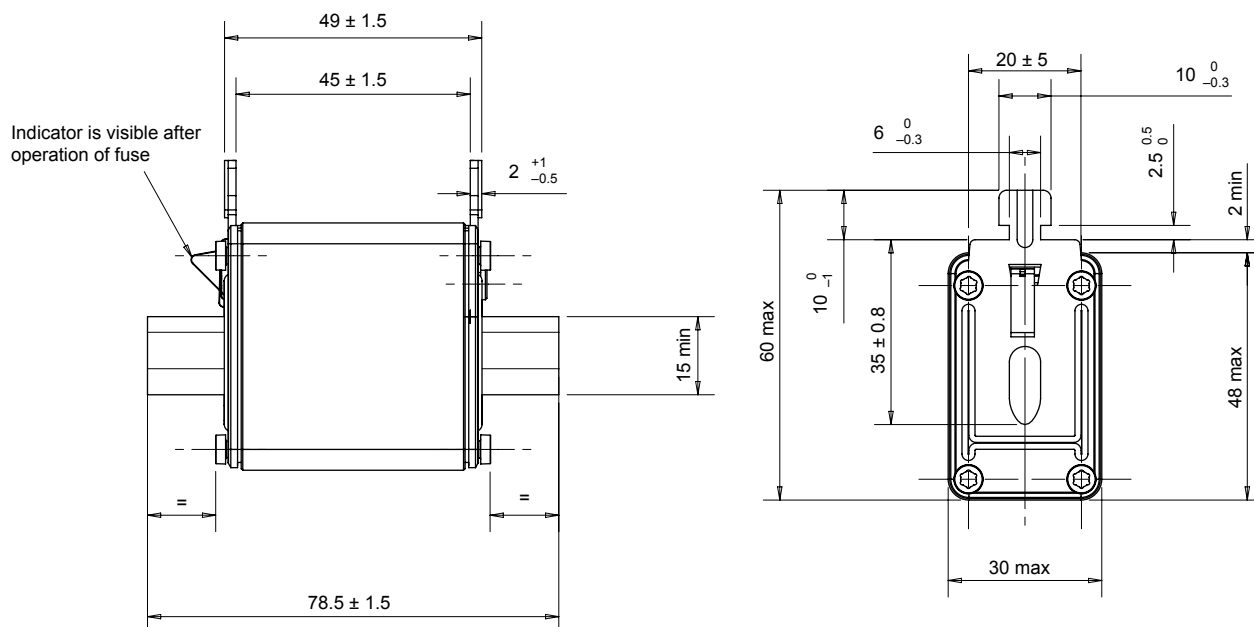
Dimensions in mm

# NH fuse-links aM 690VAC

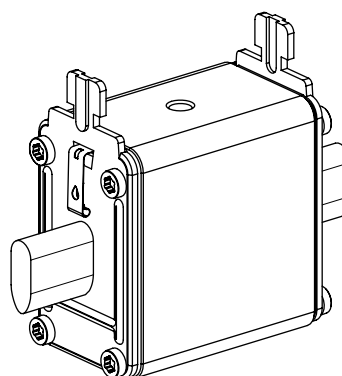
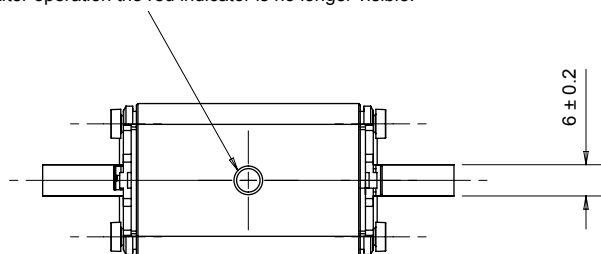
double indicator/live tags size 000, 00, 0, 1, 2, 3

## DIMENSIONS

### size 00 with double indicator



- Visibility of red indicator signals conduction of the fuse-link. After operation the red indicator is no longer visible.



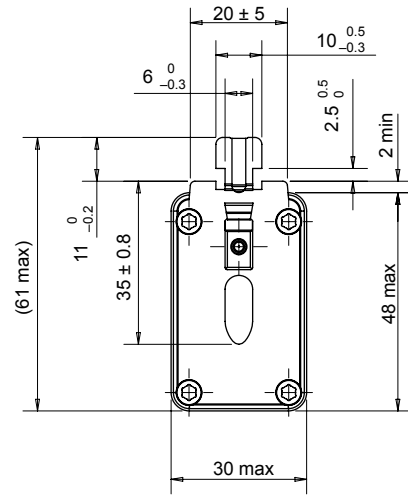
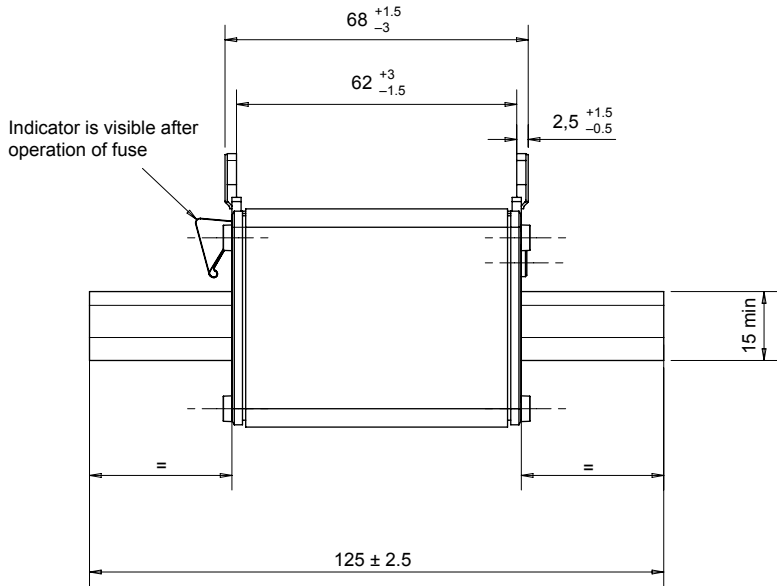
Dimensions in mm

# NH fuse-links aM 690VAC

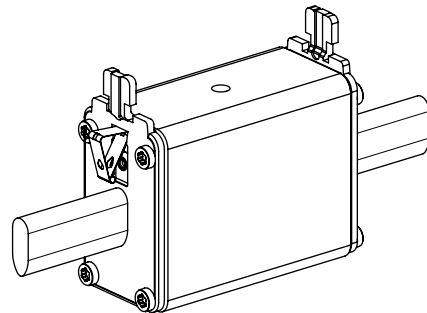
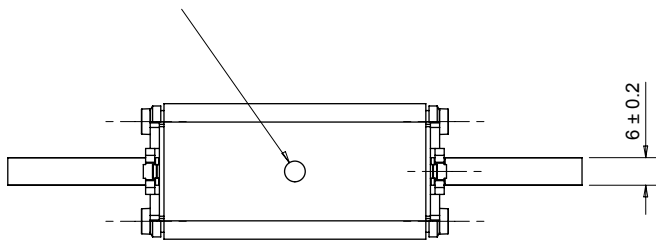
double indicator/live tags size 000, 00, 0, 1, 2, 3

## DIMENSIONS

### size 0 with double indicator



Visibility of red indicator signals conduction of the fuse-link. After operation the red indicator is no longer visible.



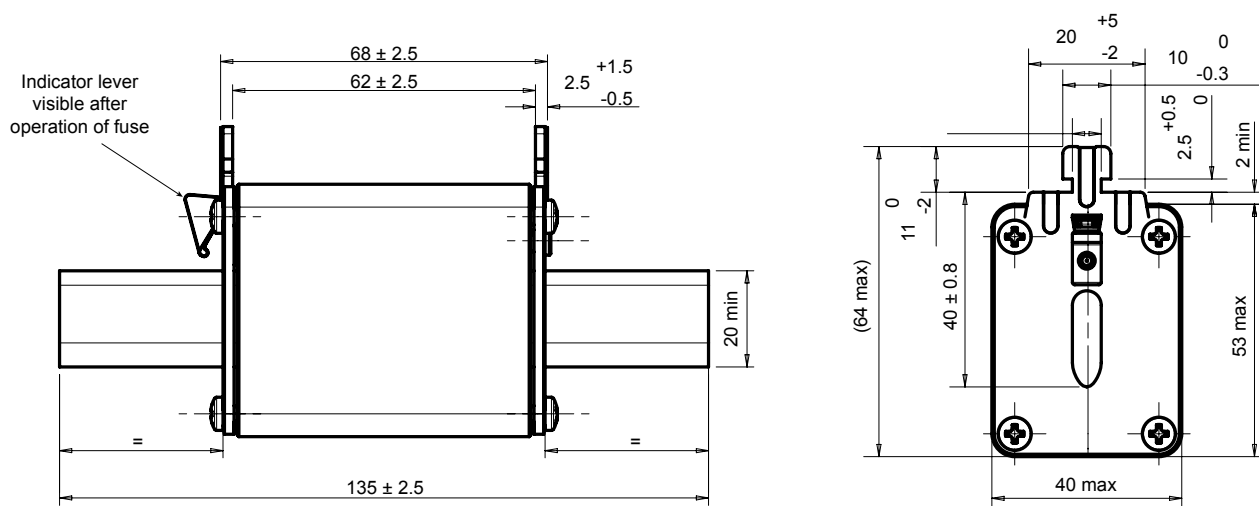
Dimensions in mm

# NH fuse-links aM 690VAC

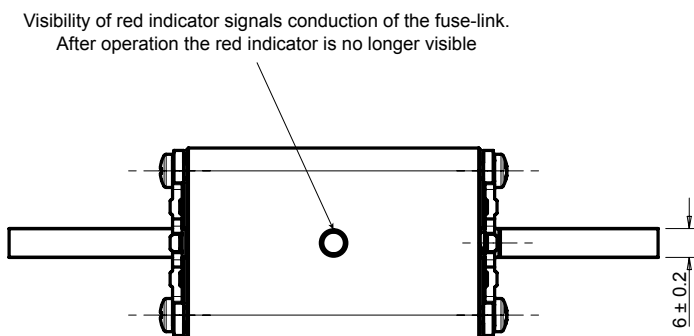
double indicator/live tags size 000, 00, 0, 1, 2, 3

## DIMENSIONS

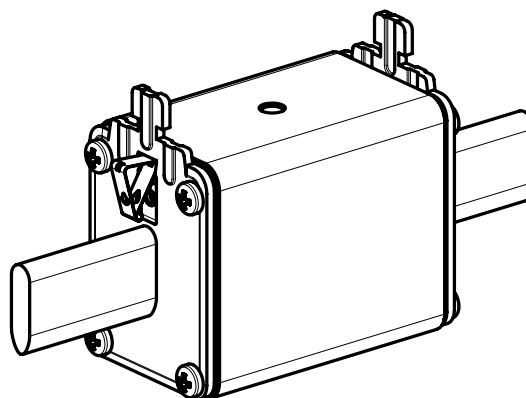
### size 1 with double indicator



Indicator lever visible after operation of fuse



Dimensions in mm

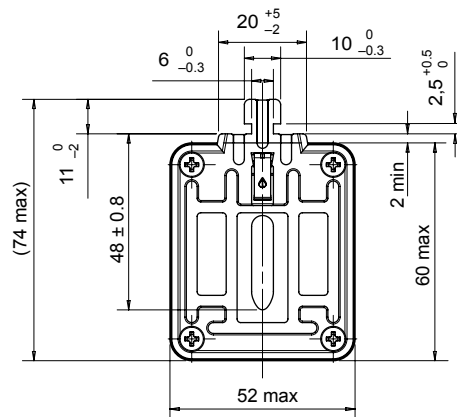
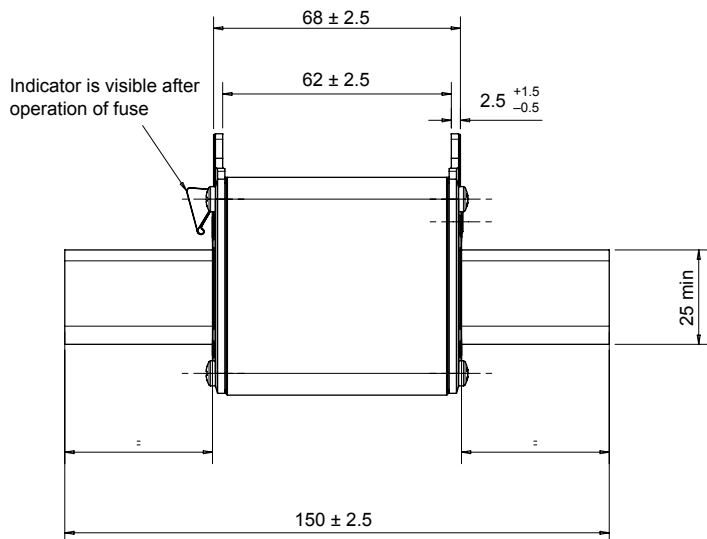


# NH fuse-links aM 690VAC

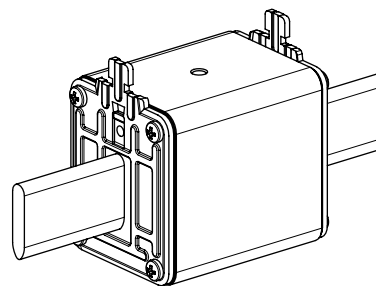
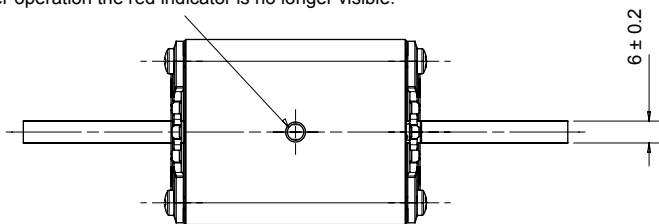
double indicator/live tags size 000, 00, 0, 1, 2, 3

## DIMENSIONS

### size 2 with double indicator



Visibility of red indicator signals conduction of the fuse-link.  
After operation the red indicator is no longer visible.



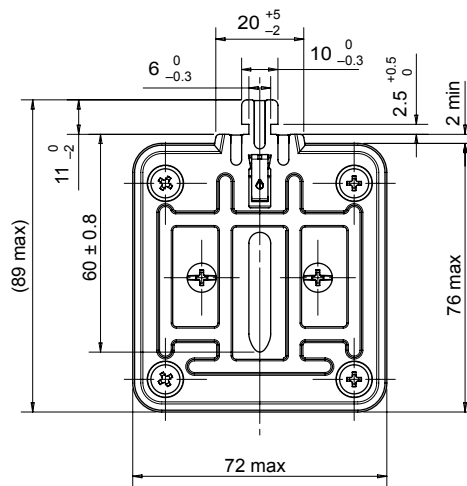
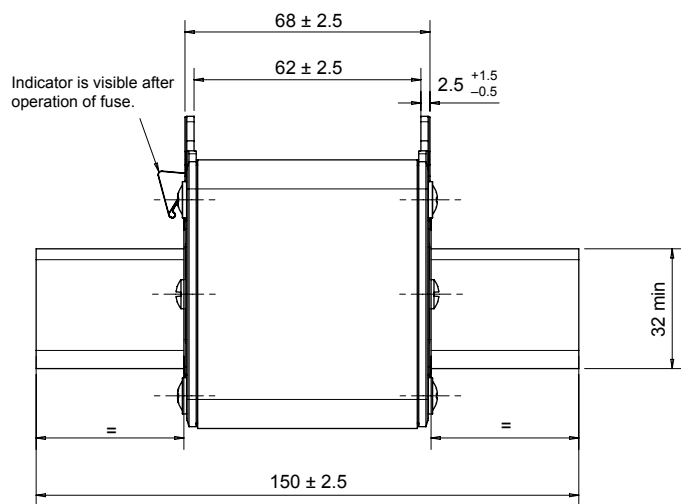
Dimensions in mm

# NH fuse-links aM 690VAC

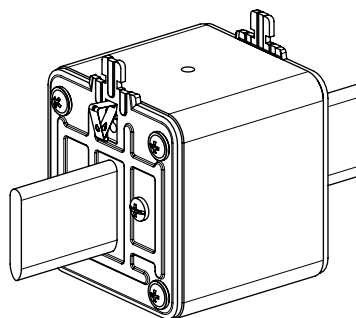
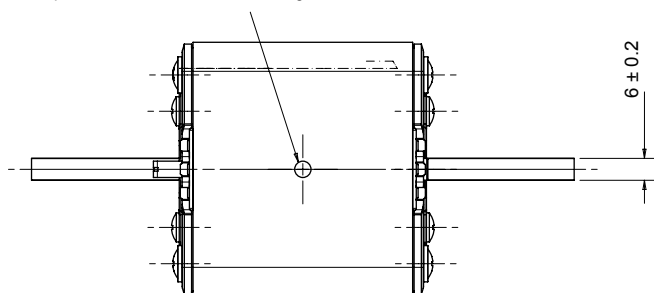
double indicator/live tags size 000, 00, 0, 1, 2, 3

## DIMENSIONS

### size 3 with double indicator



Visibility of red indicator signals conduction of the fuse-link. After operation the red indicator is no longer visible.



Dimensions in mm